

## DESCRIPTION

The RHB Series LED is a Low Bay/High Bay luminaire designed for a wide variety of applications and mounting heights. The traditional round form factor combined with various reflector options is available in two lumen packages of 18,000 and 24,000 lumens. The RHB is an energy-efficient one-for-one replacement of 250W and 400W HID fixtures and is an ideal solution for industrial, manufacturing, grocery, retail, gymnasium<sup>(1)</sup> and warehouse applications. Reflector choices include clear and frosted acrylic.

<b>Catalog #</b>		<b>Type</b>	
<b>Project</b>		<b>Date</b>	
<b>Comments</b>			
<b>Prepared by</b>			

## SPECIFICATION FEATURES

### Construction

Diecast aluminum housing and heatsink provides added protection for LED components and optimal performance.

### Electrical

Long-life LED system coupled with electrical driver to deliver optimal performance. LED's available in 4000K and 5000K with a CRI ≥ 80. cULus listed. Electronic drivers are available for 120-277V applications. Standard 0-10V dimming.

### Finish

Standard white polyester powder coat finish painted after fabrication for increased durability and rust inhibition.

### Optics

Precision designed reflectors available in Clear and Frosted Acrylic. Optional bottom lens provides added protection.

### Mounting

The RHB series is ideally suited for suspension mounting with a 3/4" threaded hub. Accessory hook included.

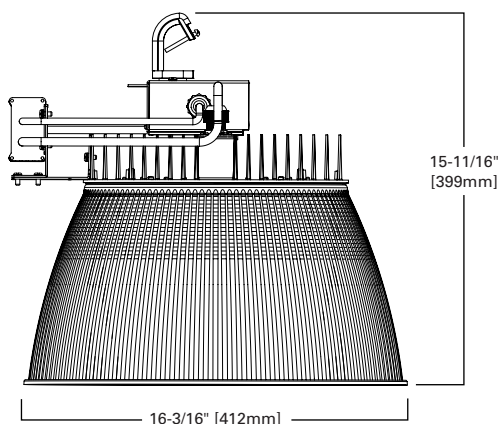
### Compliance

Luminaires are cULus listed for damp locations -40°C - 40°C ambient environments with 0-10V drivers. LED modules comply with IESNA LM-79 and LM-80 standards. DesignLights Consortium® Qualified and classified for both DLC Standard and DLC Premium, refer to [www.designlights.org](http://www.designlights.org) for details.

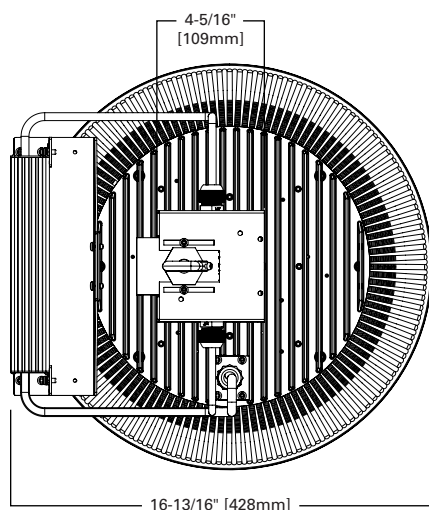


## RHB LED

LED Round High Bay



## DIMENSION TOP VIEW



## ENERGY DATA

Input Watts:  
 18 (18,000 lumens)=154W  
 24 (24,000 lumens)=194W

ENERGY AND PERFORMANCE DATA BY CATALOG NUMBER

Catalog Number	Performance		
	Delivered Lumens	Watts	Efficacy (lm/W)
RHB-18-UNV-L840-CD-U w/ RHB-FRR	19796	154	129
RHB-18-UNV-L840-CD-U w/ RHB-CLR	19825	154	129
RHB-24-UNV-L840-CD-U w/ RHB-FRR	27034	194	139
RHB-24-UNV-L840-CD-U w/ RHB-CLR	27599	195	141

LUMEN MAINTENANCE

Ambient Temperature	TM-21 Lumen Maintenance (55,000 hours)	Theoretical L70 (hours)
40°C	> 94%	> 422,000

AMBIENT RATINGS

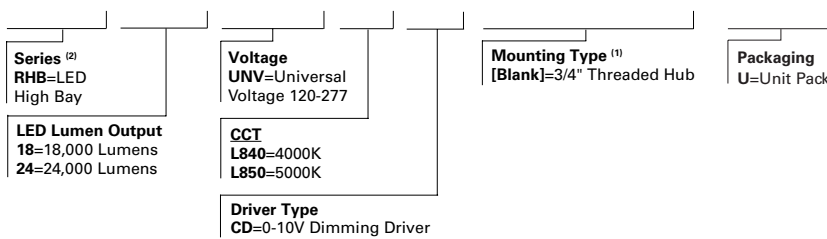
Lumen Package	Ambient Rating
RHB-18	40°C
RHB-24	40°C

ORDERING INFORMATION

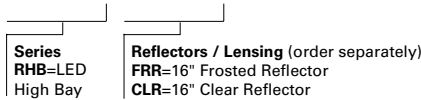
Fully assembled luminaire consist of two components (ordered separately)

EXAMPLE: FIXTURE: RHB-18-UNV-L840-CD-U + RHB-FRR

SAMPLE NUMBER: RHB-18-UNV-L840-CD-U



SAMPLE NUMBER: RHB-FRR



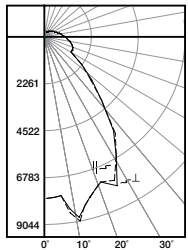
NOTES: <sup>(1)</sup> Rigid mount not for use in gymnasiums. <sup>(2)</sup> DesignLights Consortium® Qualified and classified for both DLC Standard and DLC Premium, refer to [www.designlights.org](http://www.designlights.org) for details.

Specifications & dimensions subject to change without notice. Consult your Eaton Representative for availability and ordering information.

SHIPPING DATA

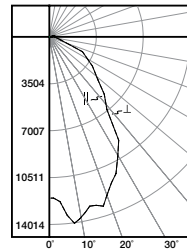
Catalog No.	Wt.
RHB-18	15 lbs.
RHB-24	15 lbs.

PHOTOMETRICS



**RHB-18-UNV-L840-CD-U w/ RHB-FRR**  
 Electronic Driver  
 Linear LED 4000K  
 Spacing criterion:  
 (||) 1.24 x mounting height, (⊥) 1.24 x mounting height  
 Lumens: 19796  
 Input Watts: 154W  
 Efficacy: 129 lm/W  
 Test Report:  
 RHB-18-UNV-L840-CD-U WITH RHB-FRR.IES

Candlepower			
Angle	Along II	45°	Across ⊥
0	7835	7835	7835
5	7757	7742	7733
10	7991	8740	7649
15	7768	7864	7457
20	7143	7881	7125
25	7233	8027	7536
30	6966	6479	7117
35	4601	5835	4426
40	4087	5277	4059
45	3081	2286	3107
50	2270	2220	2684
55	1432	1420	1394
60	1425	1408	1395
65	1374	1358	1351
70	1281	1266	1263
75	1161	1147	1148
80	1022	1010	1013
85	889	879	883
90	766	759	763



**RHB-24-UNV-L840-CD-U w/ RHB-CLR**  
 Electronic Driver  
 Linear LED 4000K  
 Spacing criterion:  
 (||) 1.22 x mounting height, (⊥) 1.22 x mounting height  
 Lumens: 27599  
 Input Watts: 195W  
 Efficacy: 141 lm/W  
 Test Report:  
 RHB-24-UNV-L840-CD-U WITH RHB-CLR.IES

Candlepower			
Angle	Along II	45°	Across ⊥
0	11967		
5	13293		
9	13713		
15	12983		
19.5	12524		
25.5	11251		
29	10177		
33	9187		
42.5	5804		
47.5	4745		
55	3789		
65	2564		
75	777		
85	297		
90	256		
95	288		
100	265		
105	273		

Coefficients of Utilization

rc rw RCR	Effective floor cavity reflectance																							
	80%				70%				50%				30%				10%				0%			
	70	50	30	10	70	50	30	10	50	30	10	50	30	10	50	30	10	50	30	10	50	30	10	0
0	116	116	116	116	112	112	112	112	104	104	104	96	96	96	90	90	90	87						
1	105	100	96	92	101	97	93	89	90	87	84	84	82	79	78	76	75	72						
2	97	89	82	77	93	86	80	75	80	75	71	75	71	67	70	67	64	61						
3	89	79	71	65	85	77	70	64	72	66	61	67	63	58	63	59	56	53						
4	82	71	63	57	79	69	62	56	65	59	54	61	56	51	57	53	49	47						
5	76	64	56	50	73	63	55	49	59	53	47	56	50	46	53	48	44	42						
6	71	59	51	45	68	57	49	44	54	47	42	51	45	41	48	44	40	38						
7	66	54	46	40	64	52	45	39	50	43	38	47	41	37	45	40	36	34						
8	62	50	42	36	60	48	41	36	46	39	35	44	38	34	42	37	33	31						
9	58	46	38	33	56	45	38	33	43	36	32	41	35	31	39	34	30	28						
10	55	43	35	30	53	42	35	30	40	33	29	38	32	28	36	31	28	26						

Coefficients of Utilization

rc rw RCR	Effective floor cavity reflectance																							
	80%				70%				50%				30%				10%				0%			
	70	50	30	10	70	50	30	10	50	30	10	50	30	10	50	30	10	50	30	10	50	30	10	0
0	118	118	118	118	115	115	115	115	109	109	109	103	103	103	98	98	98	96						
1	108	103	99	96	105	101	97	94	96	93	90	91	89	86	87	85	83	81						
2	99	91	85	79	96	89	83	78	85	80	75	81	77	73	77	74	71	69						
3	91	81	73	67	88	79	72	66	76	69	64	72	67	63	69	65	61	59						
4	84	72	64	58	81	71	63	57	68	61	56	65	59	55	63	58	54	52						
5	78	65	57	51	75	64	56	50	62	55	49	59	53	48	57	52	48	45						
6	72	60	51	45	70	58	50	45	56	49	44	54	48	43	52	47	43	41						
7	67	54	46	40	65	53	46	40	52	45	40	50	44	39	48	43	38	36						
8	63	50	42	36	61	49	42	36	48	41	36	46	40	35	45	39	35	33						
9	59	46	38	33	57	46	38	33	44	37	33	43	37	32	42	36	32	30						
10	56	43	35	30	54	42	35	30	41	35	30	40	34	30	39	33	29	28						

Zonal Lumen Summary

Zone	Lumens	% Fixture
0-30	6457	32.6
0-40	9866	49.8
0-60	13639	68.9
0-90	17154	86.7
0-180	19796	100.0

Luminance Data

Angle in Deg	Average 0-Deg cd/sm	Average 45-Deg cd/sm	Average 90-Deg cd/sm
45	35851	26600	36153
55	20542	20370	19997
65	26751	26439	26303
75	36909	36464	36496
85	83927	82983	83360

Zonal Lumen Summary

Zone	Lumens	% Fixture
0-30	9582	34.7
0-40	14047	50.9
0-60	21050	76.3
0-90	26513	96.1
0-180	27599	100.0

Luminance Data

Angle in Deg	Average 0-Deg cd/sm	Average 45-Deg cd/sm	Average 90-Deg cd/sm
45	163650	163650	163650
55	144928	144928	144928
65	133103	133103	133103
75	65863	65863	65863
85	74762	74762	74762