



### Important Safety Instructions

**READ AND FOLLOW ALL SAFETY INSTRUCTIONS!  
SAVE THESE INSTRUCTIONS AND DELIVER TO OWNER AFTER INSTALLATION**

- To reduce the risk of death, personal injury or property damage from fire, electric shock, falling parts, cuts/abrasions, and other hazards please read all warnings and instructions included with and on the fixture box and all fixture labels.
- Before installing, servicing, or performing routine maintenance upon this equipment, follow these general precautions.
- Installation and service of luminaires should be performed by a qualified licensed electrician.
- Maintenance of the luminaires should be performed by person(s) familiar with the luminaires' construction and operation and any hazards involved. Regular fixture maintenance programs are recommended.
- It will occasionally be necessary to clean the outside of the refractor/lens. Frequency of cleaning will depend on ambient dirt level and minimum light output which is acceptable to user. Refractor/lens should be washed in a solution of warm water and any mild, non-abrasive household detergent, rinsed with clean water and wiped dry. Should optical assembly become dirty on the inside, wipe refractor/lens and clean in above manner, replacing damaged gaskets as necessary.
- **DO NOT INSTALL DAMAGED PRODUCT!** This luminaire has been properly packed so that no parts should have been damaged during transit. Inspect to confirm. Any part damaged or broken during or after assembly should be replaced.
- Recycle: For information on how to recycle LED electronic products, please visit [www.epa.gov](http://www.epa.gov).
- These instructions do not purport to cover all details or variations in equipment nor to provide every possible contingency to meet in connection with installation, operation, or maintenance. Should further information be desired or should particular problems arise which are not covered sufficiently for the purchaser's or owner's purposes, this matter should be referred to Acuity Brands Lighting, Inc.



**WARNING  
RISK OF ELECTRIC SHOCK**

- ✓ Disconnect or turn off power before installation or servicing.
- ✓ Verify that supply voltage is correct by comparing it with the luminaire label information.
- ✓ Make all electrical and grounded connections in accordance with the National Electrical Code (NEC) and any applicable local code requirements.
- ✓ All wiring connections should be capped with UL approved recognized wire connectors.



**WARNING  
RISK OF BURN**

- ✓ Allow lamp/fixture to cool before handling. Do not touch enclosure or light source.
- ✓ Do not exceed maximum wattage marked on luminaire label.
- ✓ Follow all manufacturer's warnings, recommendations and restrictions for: driver type, burning position, mounting locations/methods, replacement and recycling.



**CAUTION  
RISK OF INJURY**

- ✓ Wear gloves and safety glasses at all times when removing luminaire from carton, installing, servicing or performing maintenance.
- ✓ Avoid direct eye exposure to the light source while it is on.



**CAUTION  
RISK OF FIRE**

- ✓ Keep combustible and other materials that can burn, away from lamp/lens.
- ✓ Do not operate in close proximity to persons, combustible materials or substances affected by heat or drying.



**CAUTION: RISK OF PRODUCT DAMAGE**

- ✓ Never connect components under load.
- ✓ Do not mount or support these fixtures in a manner that can cut the outer jacket or damage wire insulation.
- ✓ Controls for dimming, auto-sensing, or remote control of a luminaire that are not factory-wired to the luminaire must be checked for compatibility with the luminaire prior to installation. LED fixtures must be powered directly of a switched circuit.
- ✓ Unless individual product specifications deem otherwise: Do not restrict fixture ventilation. Allow for some volume of airspace around fixture. Avoid covering LED fixtures with insulation, foam, or other material that will prevent convection or conduction cooling.
- ✓ Unless individual product specifications deem otherwise: Do not exceed fixtures maximum ambient temperature.
- ✓ Only use fixture in its intended location.
- ✓ LED products are Polarity Sensitive. Ensure proper Polarity before installation.
- ✓ Electrostatic Discharge (ESD): ESD can damage LED fixtures. Personal grounding equipment must be worn during all installation or servicing of the unit.
- ✓ Do not touch individual electrical components as this can cause ESD, shorten lamp life, or alter performance.
- ✓ Some components inside the fixture may not be serviceable. In the unlikely event your unit may require service, stop using the unit immediately and contact an ABL representative for assistance.
- ✓ Always read the fixtures complete installation instructions prior to installation for any additional fixture specific warnings.
- ✓ Always ensure that the electrical distribution system is up to NEC (and any applicable local code) requirements.
- ✓ Verify that power distribution system has proper grounding. Lack of proper earth ground can lead to fixture failure and may void warranty.

Choose either Part 15 OR Part 18 and move to Page 3 Installation Instructions under Delivery. Lithonia Outdoor will always use Part 15.

All luminaires that contain electronic devices that generate frequencies above 9kHz from any component within the luminaire comply with Part 15 of the FCC Rules. Operation is subject to the following two conditions:

- (1) This device may not cause harmful interference.
- (2) This device must accept any interference received, including interference that may cause undesired operation.

Safety p.1	Overview p.6	Set Up Ceiling p.8	Prepare Material p.11	Installation p.12	Electrical Connections p.14	Remote Battery or EC p.15	Supplemental p.17	Contractor's Resources p.23
---------------	-----------------	-----------------------	--------------------------	----------------------	--------------------------------	------------------------------	----------------------	--------------------------------

## Important Safety Instructions

This device complies with Part 18 of the FCC Rules but may cause interference with cordless and cell phones, radios, televisions, and other electronic devices. To correct the problem, move the device away from the luminaire or plug into a different outlet. This product may cause interference to radio equipment and should not be installed near maritime safety communications equipment or other critical navigation or communications equipment operating between 0.45-30MHz.

Failure to follow any of these instructions could void product warranties. For a complete listing of product Terms and Conditions, please visit [www.acuitybrands.com](http://www.acuitybrands.com).

Acuity Brands Lighting, Inc. assumes no responsibility for claims arising out of improper or careless installation or handling of its products.

ABL LED General Warnings, Form No. 503.203

© 2021, 2010, 2016 Acuity Brands Lighting, Inc. All rights reserved. 12/01/10

**READ AND FOLLOW ALL SAFETY INSTRUCTIONS!  
SAVE THESE INSTRUCTIONS AND DELIVER TO OWNER AFTER INSTALLATION**

- To reduce the risk of death, personal injury or property damage from fire, electric shock, falling parts, cuts/abrasions, and other hazards please read all warnings and instructions included with and on the fixture box and all fixture labels.
- Before installing, servicing, or performing routine maintenance upon this equipment, follow these general precautions.
- Installation and service should be performed by a qualified licensed electrician.
- Maintenance should be performed by qualified person(s) familiar with the products' construction and operation and any hazards involved. Regular maintenance programs are recommended.
- **DO NOT INSTALL DAMAGED PRODUCT!** This product has been properly packed so that no parts should have been damaged during transit. Inspect to confirm. Any part damaged or broken during or after assembly should be replaced.
- These instructions do not purport to cover all details or variations in equipment nor to provide every possible contingency to meet in connection with installation, operation, or maintenance. Should further information be desired or should particular problems arise which are not covered sufficiently for the purchaser's or owner's purposes, this matter should be referred to Acuity Brands Lighting, Inc.

Safety p.1	Overview p.6	Set Up Ceiling p.8	Prepare Material p.11	Installation p.12	Electrical Connections p.14	Remote Battery or EC p.15	Supplemental p.17	Contractor's Resources p.23
---------------	-----------------	-----------------------	--------------------------	----------------------	--------------------------------	------------------------------	----------------------	--------------------------------

### Important Safety Instructions



**WARNING**  
**RISK OF ELECTRIC SHOCK**

- ✓ Disconnect or turn off power before installation or servicing.
- ✓ Verify that supply voltage is correct by comparing it with the luminaire label information.
- ✓ Make all electrical and grounded connections in accordance with the National Electrical Code (NEC) and any applicable local code requirements.
- ✓ All wiring connections should be capped with UL approved recognized wire connectors.



**WARNING**  
**RISK OF BURN**

- ✓ Allow lamp/fixture to cool before handling. Do not touch enclosure or light source.
- ✓ Do not exceed maximum wattage marked on luminaire label.
- ✓ Follow all manufacturer's warnings, recommendations and restrictions for: driver type, burning position, mounting locations/methods, replacement and recycling.



**CAUTION**  
**RISK OF INJURY**

- ✓ Wear gloves and safety glasses at all times when removing luminaire from carton, installing, servicing or performing maintenance.
- ✓ Avoid direct eye exposure to the light source while it is on.



**CAUTION**  
**RISK OF FIRE**

- ✓ Keep combustible and other materials that can burn, away from lamp/lens.
- ✓ Do not operate in close proximity to persons, combustible materials or substances affected by heat or drying.

**Always read the fixtures complete installation instructions prior to installation for any additional fixture specific warnings.**

**Failure to follow any of these instructions could void product warranties. For a complete listing of product Terms and Conditions, please visit [www.acuitybrands.com](http://www.acuitybrands.com).**

**Acuity Brands Lighting, Inc. assumes no responsibility for claims arising out of improper or careless installation or handling of its products.**

ABL LED General Warnings, Form No. 503.203

© 2021, 2010, 2016 Acuity Brands Lighting, Inc. All rights reserved. 12/01/10

Safety p.1	Overview p.6	Set Up Ceiling p.8	Prepare Material p.11	Installation p.12	Electrical Connections p.14	Remote Battery or EC p.15	Supplemental p.17	Contractor's Resources p.23
---------------	-----------------	-----------------------	--------------------------	----------------------	--------------------------------	------------------------------	----------------------	--------------------------------

### Important Safety Instructions



**CAUTION: RISK OF PRODUCT DAMAGE**

- ✓ Electrostatic Discharge (ESD): ESD can damage product(s). Personal grounding equipment must be worn during all installation or servicing of the unit.
- ✓ Do not touch individual electrical components as this can cause ESD and affect product Performance.
- ✓ Do not stretch or use cable sets that are too short or are of insufficient length.
- ✓ Do not tamper with contacts.
- ✓ Do not modify the product.
- ✓ Do not change or alter internal wiring or installation circuitry.
- ✓ Do not use product for anything other than its intended use.
- ✓ If installing latching springs: ensure that the springs are fully engaged prior to moving to next connection.
- ✓ If installing wiring systems: Materials and component parts of a manufacturing wiring system as described in Article 604 of the National Electric Code and Underwriters Laboratories Standard for Safety #183 **MUST BE** installed.

**Please see product specific installation instructions for additional warnings or any applicable FCC or other regulatory statements.**

**Failure to follow any of these instructions could void product warranties. For a complete listing of product Terms and Conditions, please visit [www.acuitybrands.com](http://www.acuitybrands.com).**

Our Brands	Indoor/Outdoor	Indoor Lighting	Outdoor Lighting	Controls	Daylighting
	Lithonia Lighting Carandini Holophane RELOC Light Concepts	Gotham Mark Architectural Lighting Peerless Renaissance Lighting Winona Lighting	American Electric Lighting Antique Street Lamps Hydrel Tersen	DARK TO LIGHT LC&D ROAM Sensor Switch Synergy	SunOptics

**Acuity Brands Lighting, Inc. assumes no responsibility for claims arising out of improper or careless installation or handling of its products.**

ABL LED General Warnings, Form No. 503.203

© 2021, 2010, 2016 Acuity Brands Lighting, Inc. All rights reserved. 12/01/10

## INSTALLATION INSTRUCTIONS

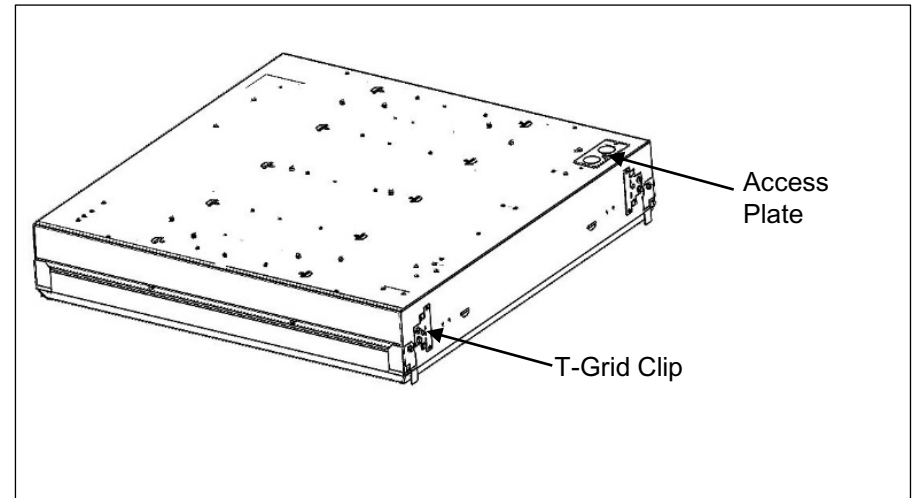
Safety p.1	Overview p.6	Set Up Ceiling p.8	Prepare Material p.11	Installation p.12	Electrical Connections p.14	Remote Battery or EC p.15	Supplemental p.17	Contractor's Resources p.23
---------------	-----------------	-----------------------	--------------------------	----------------------	--------------------------------	------------------------------	----------------------	--------------------------------

### A. Overview - Fixture

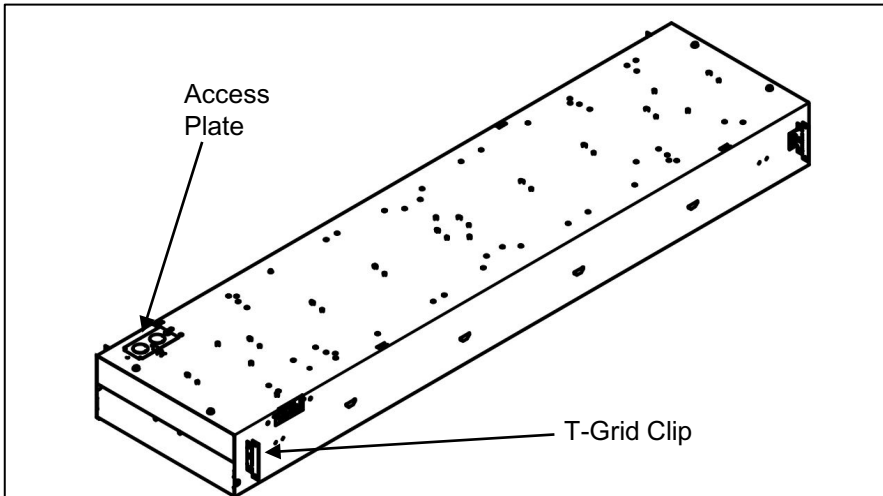
**NOTE:** Illustrations are used for reference only and can differ slightly from the actual lighting system installed. However, key components addressed in this information are represented as accurately as possible.

Fixtures are IC rated.

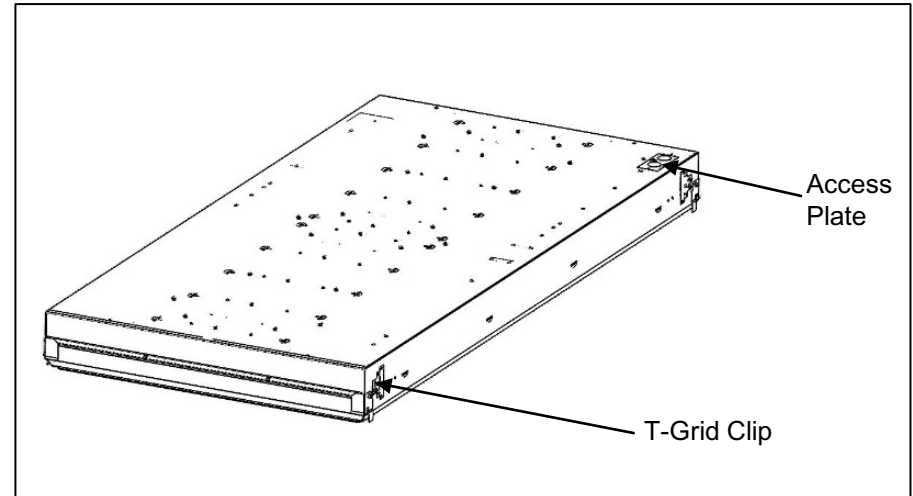
**2' x 2'**



**1' x 4'**

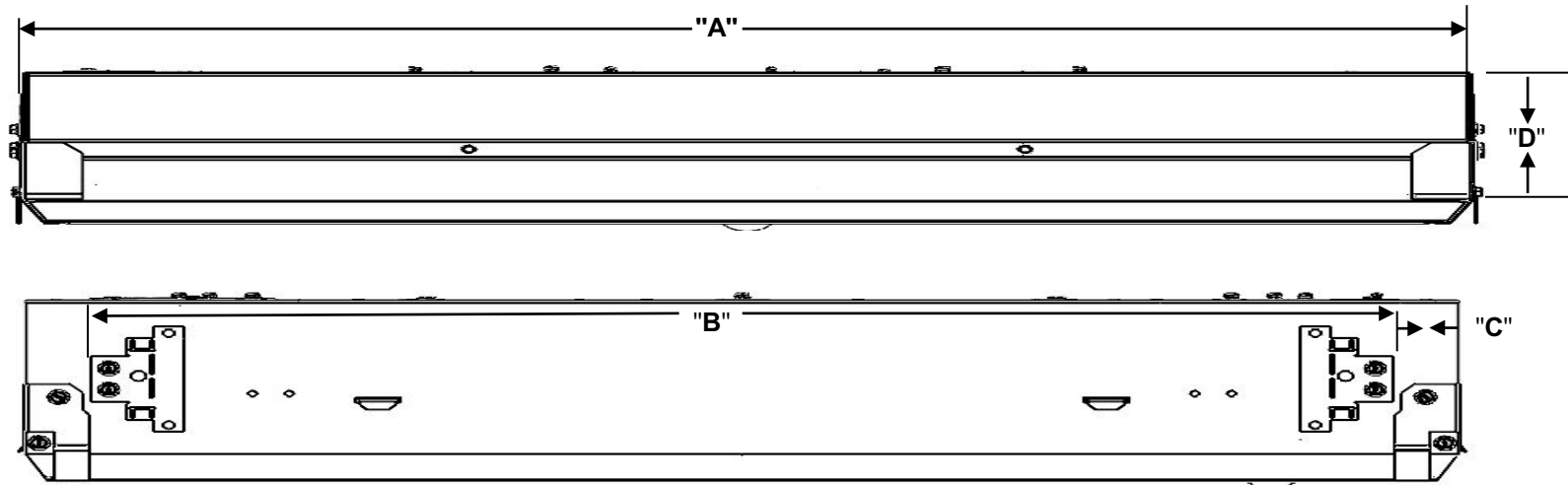


**2' x 4'**



Safety p.1	Overview p.6	Set Up Ceiling p.8	Prepare Material p.11	Installation p.12	Electrical Connections p.14	Remote Battery or EC p.15	Supplemental p.17	Contractor's Resources p.23
---------------	-----------------	-----------------------	--------------------------	----------------------	--------------------------------	------------------------------	----------------------	--------------------------------

### A. Overview - Dimension Overview



Fixture	"A" Fixture Length	"B" Clip to Clip Length	"C" Grid Clip to End Mounting	"D" Fixture Height
1x4	11" X 47"	45"	1"	4 1/2"
2x4	23" X 47"	45"	1"	4 1/2"
2x2	23" X 23"	21"	1"	4 1/2"



Safety  
p.1

Overview  
p.6

Set Up Ceiling  
p.8

Prepare Material  
p.11

Installation  
p.12

Electrical Connections  
p.14

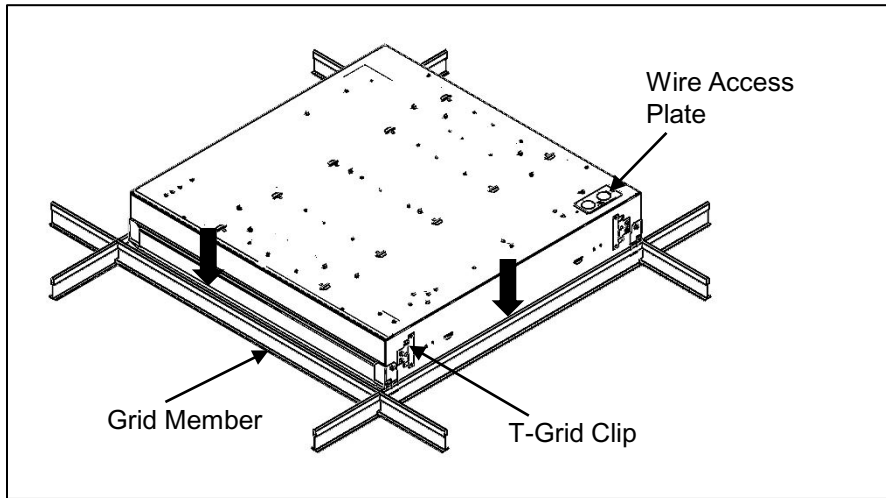
Remote Battery or EC  
p.15

Supplemental  
p.17

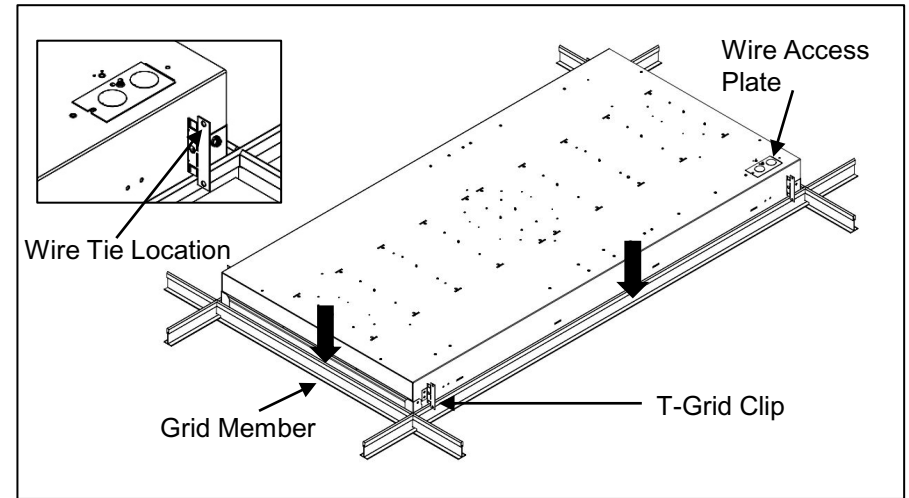
Contractor's Resources  
p.23

### B. Set Up Ceiling - Fixture Grid Ceilings

**2' x 2'**



**2' x 4'**



#### Lay Fixture:

a. Lay fixture into appropriate ceiling configuration and attach grid clip to grid member with screws.

**NOTE:** Fixture to be installed after ceiling grid members are put up.



MAKE SURE LUMINAIRE IS MOUNTED TO A STRUCTURE. USE APPROPRIATE MOUNTING HARDWARE TO INSTALL FIXTURE RATED FOR YOUR APPLICATION. FAILURE TO MOUNT FIXTURE CORRECTLY COULD RESULT IN SERIOUS INJURY.



Safety  
p.1

Overview  
p.6

Set Up Ceiling  
p.8

Prepare Material  
p.11

Installation  
p.12

Electrical Connections  
p.14

Remote Battery or EC  
p.15

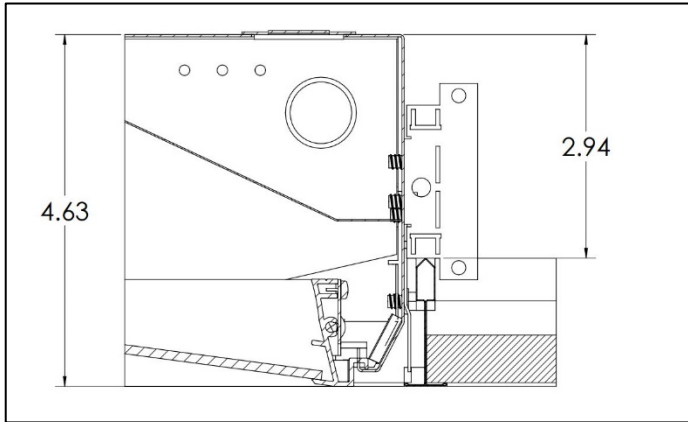
Supplemental  
p.17

Contractor's Resources  
p.23

### B. Set Up Ceiling - Mountings

#### Grid Types

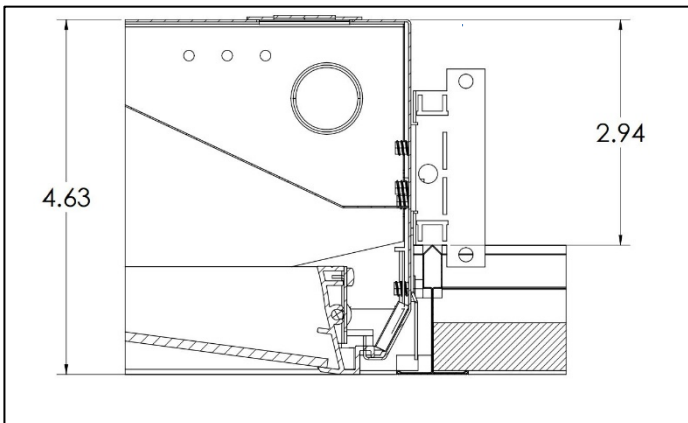
##### 9/16" Grid



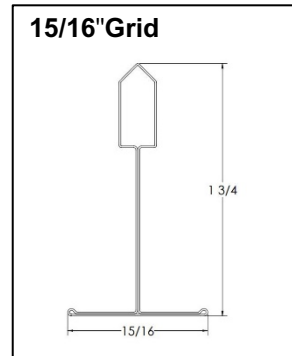
a. Accommodates 9/16" slot grid or 15/16" inverted tee or 9/16" inverted tee.

b. Fixture is for grid ceiling only but if hard ceiling is required, a separate drywall grid adapter is needed (See page 19).

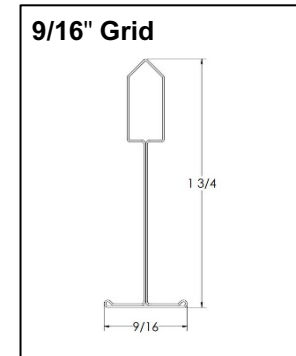
##### 15/16" Grid



##### 15/16" Grid



##### 9/16" Grid



MAKE SURE LUMINAIRE IS MOUNTED TO A STRUCTURE. USE APPROPRIATE MOUNTING HARDWARE TO INSTALL FIXTURE RATED FOR YOUR APPLICATION. FAILURE TO MOUNT FIXTURE CORRECTLY COULD RESULT IN SERIOUS INJURY.

Safety p.1	Overview p.6	Set Up Ceiling p.8	Prepare Material p.11	Installation p.12	Electrical Connections p.14	Remote Battery or EC p.15	Supplemental p.17	Contractor's Resources p.23
---------------	-----------------	-----------------------	--------------------------	----------------------	--------------------------------	------------------------------	----------------------	--------------------------------

### B. Set Up Ceiling - Grid Ceilings

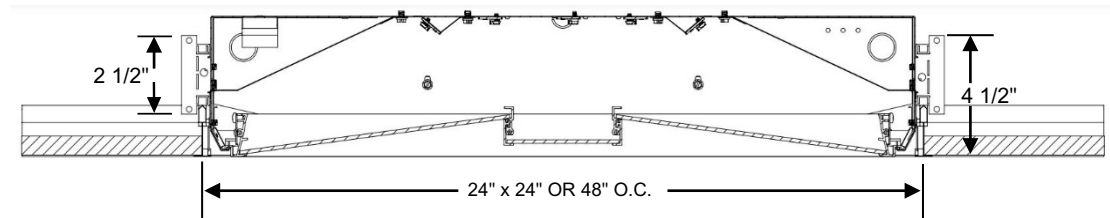
#### Feed Locations:

- Verify building side wiring per below.
- Verify ceiling reinforcement prior to installation.

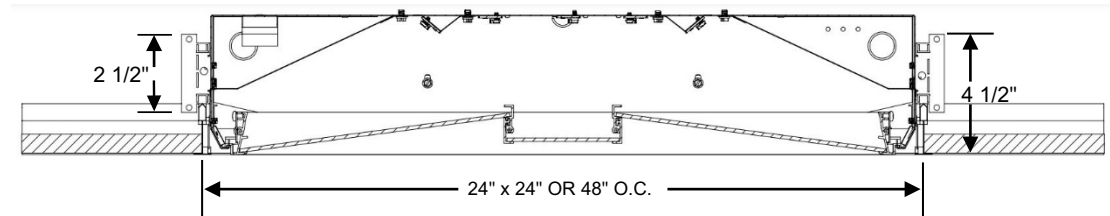
Option	Fixture Wire Color	
All	Black	Hot
	White	Neutral
	Green	Ground
ZT	Purple	Dimming
	Grey or Pink	Dimming
ECODS/ECOD5	Purple	Dimming
	Purple or White	Dimming
DALI	Orange	Dimming
	Grey or Pink	Dimming
NODIM, ECOD2 NLIGHT, NLTAIR2	Cap Purple	Not Used
	Cap Grey or Cap Pink	Not Used
DMX	Purple	DMX +
	Grey or Pink	DMX -
	Blue	Shield/Drain

#### 2X2, 2X4:

##### 9/16" Grid Ceiling



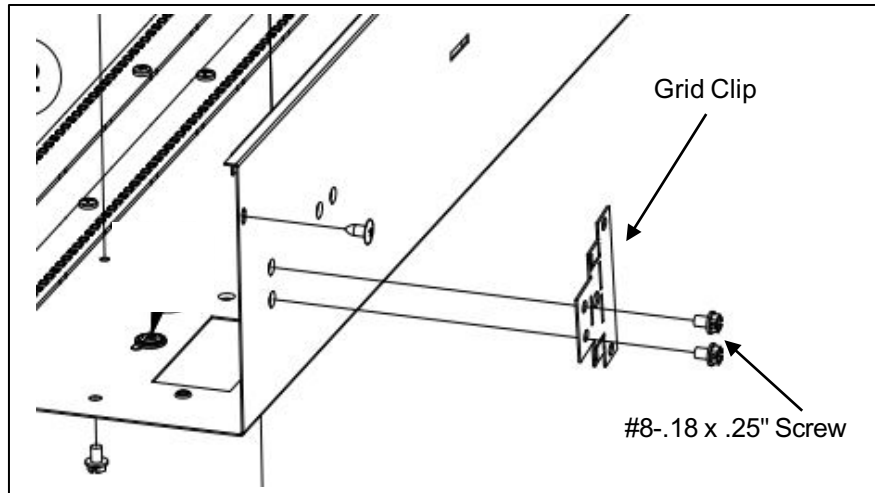
##### 15/16" Grid Ceiling



Safety p.1	Overview p.6	Set Up Ceiling p.8	Prepare Material p.11	Installation p.12	Electrical Connections p.14	Remote Battery or EC p.15	Supplemental p.17	Contractor's Resources p.23
---------------	-----------------	-----------------------	--------------------------	----------------------	--------------------------------	------------------------------	----------------------	--------------------------------

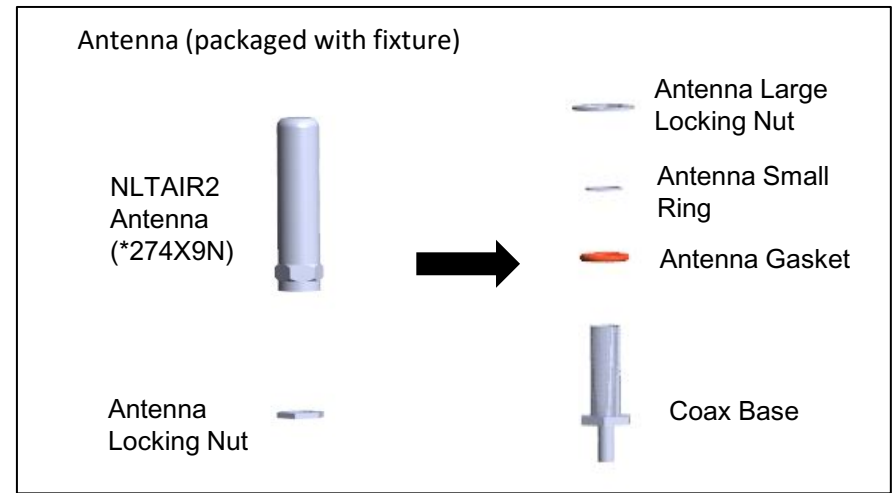
### C. Prepare Material - Non Visible Accessories

#### Typical Installation For Rio External Antenna



#### Fixture Preparation (Grid Clip)

Ensure the grid clip is secured to fixture with screw.



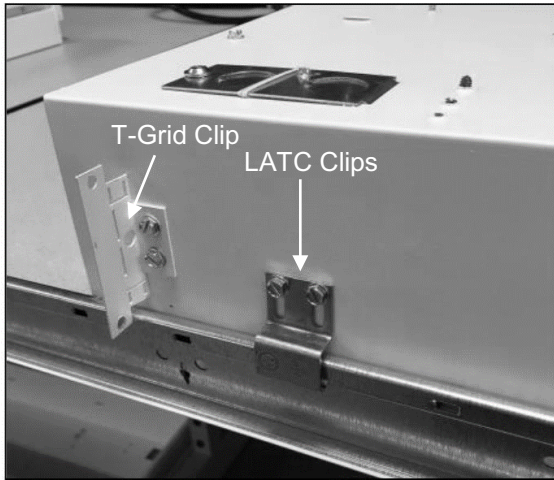
#### Antenna

#### nLight AIR Antenna

**NOTE:** Install antenna on coax base before installing fixture in ceiling.

**NOTE:** If antenna is lost, replacement part # for it is \*274X9N.

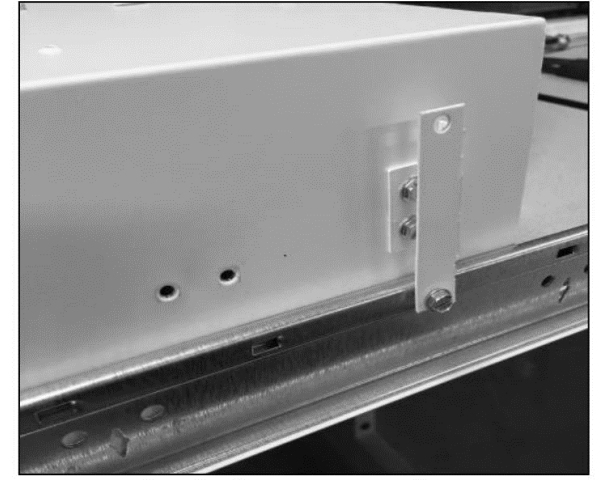
### D. Installation - T-Grid Clips



**LATC Installation**



**Attached T-Grid Clip**

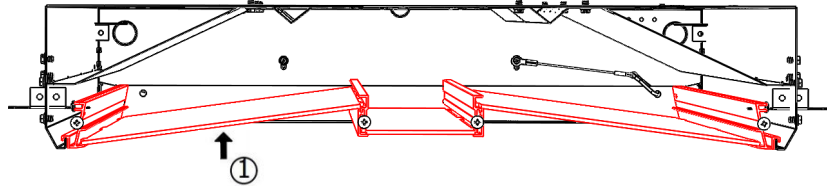


**Clip Secured to T-Grid**

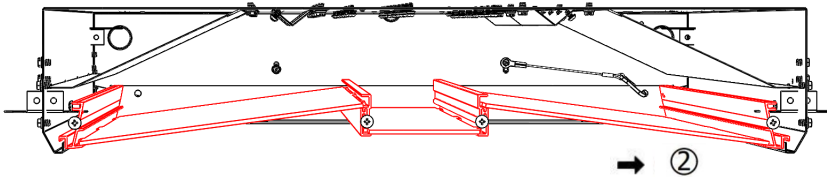
- a. Bend the attached T-Grid clips into place (If using LATC clips, attach the LATC clips using the provided screws after the fixture is placed in the grid).
- b. Place the fixture in the appropriate T-Grid ceiling structure.
- c. Secure bent T-Grid clips to grid structure using screws.
- d. Snap off tab on the grid clip if you need the fixture to set lower for 9/16" grid ceiling with tegular grid members or to sit flush with tegular ceiling tiles.

Safety p.1	Overview p.6	Set Up Ceiling p.8	Prepare Material p.11	Installation p.12	Electrical Connections p.14	Remote Battery or EC p.15	Supplemental p.17	Contractor's Resources p.23
---------------	-----------------	-----------------------	--------------------------	----------------------	--------------------------------	------------------------------	----------------------	--------------------------------

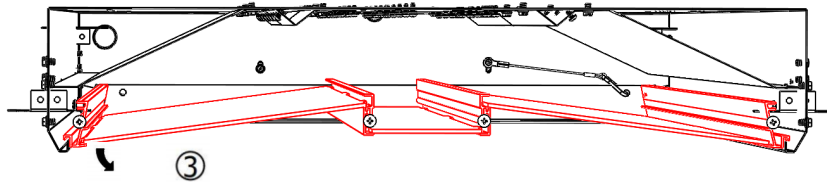
### D. Installation - Door Removal



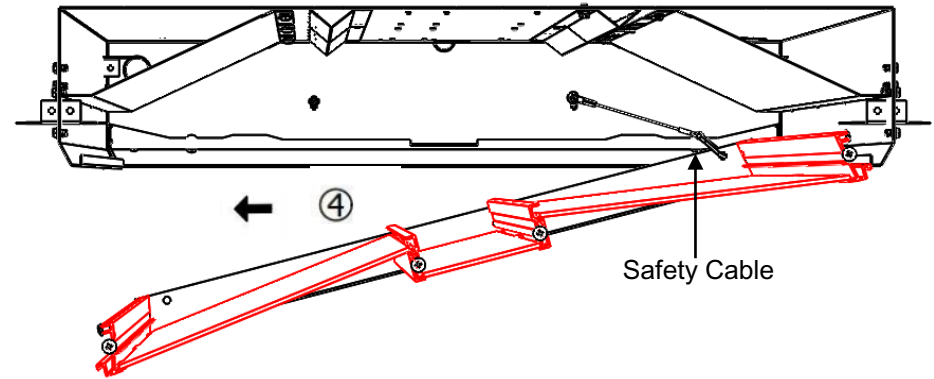
a. Grasp center rails of a door and push up.



b. Door will shift to hinge side, into recess, releasing opposite side from housing.



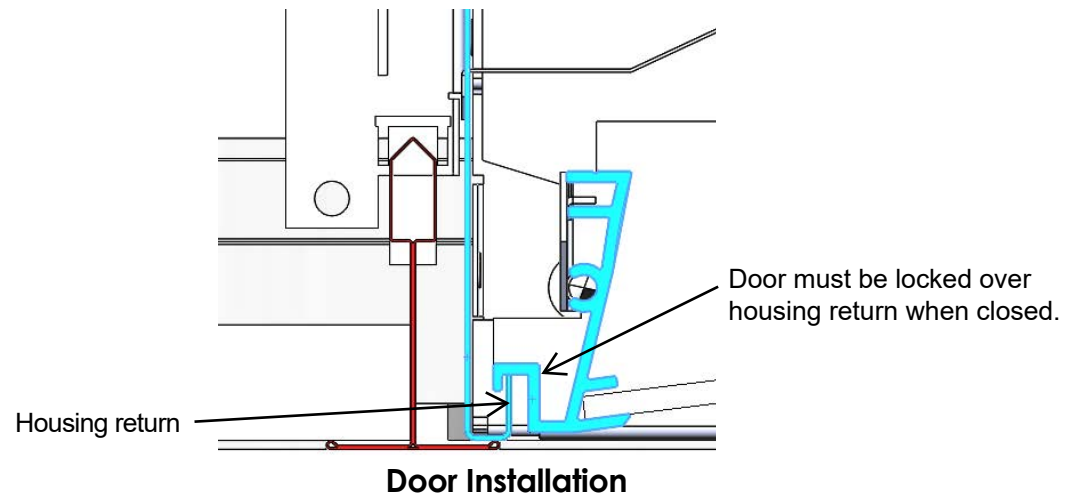
c. Pull down the hinge opposite side out of fixture.



d. Rotate door to release hinge pins from track in fixture housing.

**NOTE:** Please ensure safety cable is affixed securely to both fixture housing and door prior to completing installation.

**NOTE:** At installation, confirm that hinge pin screw head is fully inserted into track on both sides of door. If door is not seated properly, light leaks will appear on door frame.



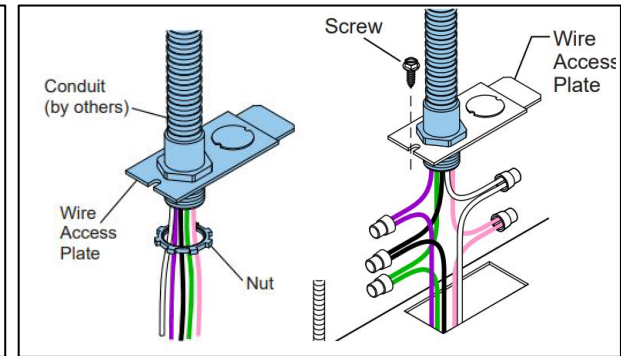
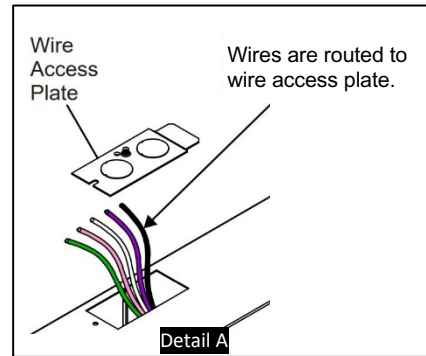
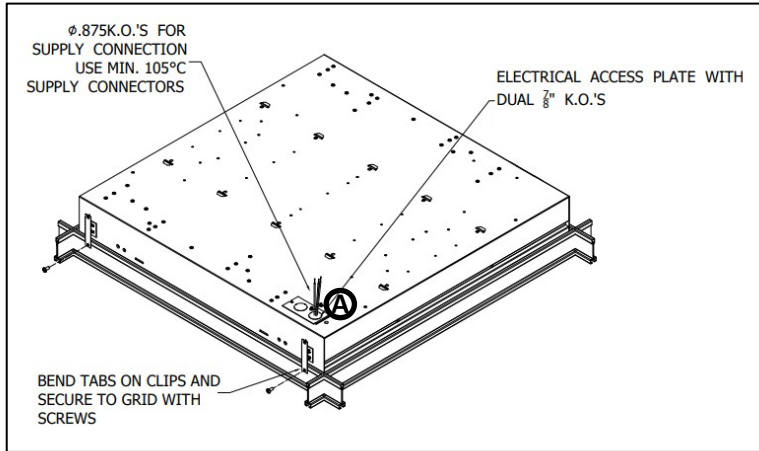


Safety p.1	Overview p.6	Set Up Ceiling p.8	Prepare Material p.11	Installation p.12	Electrical Connections p.14	Remote Battery or EC p.15	Supplemental p.17	Contractor's Resources p.23
---------------	-----------------	-----------------------	--------------------------	----------------------	--------------------------------	------------------------------	----------------------	--------------------------------

### E. Electrical connections



All power connections should be installed according to local/national codes by a Certified Electrician.



#### Individual Fixture Wire Routing

Option	Fixture Wire Color	
All	Black	Hot
	White	Neutral
	Green	Ground
ZT	Purple	Dimming
	Grey or Pink	Dimming
ECODS/ECOD5	Purple	Dimming
	Purple or White	Dimming
DALI	Orange	Dimming
	Grey or Pink	Dimming
NODIM, ECOD2 NLIGHT, NLTAIR2	Cap Purple	Not Used
	Cap Grey or Cap Pink	Not Used
DMX	Purple	DMX +
	Grey or Pink	DMX -
	Blue	Shield/Drain

#### Electrical Connections:

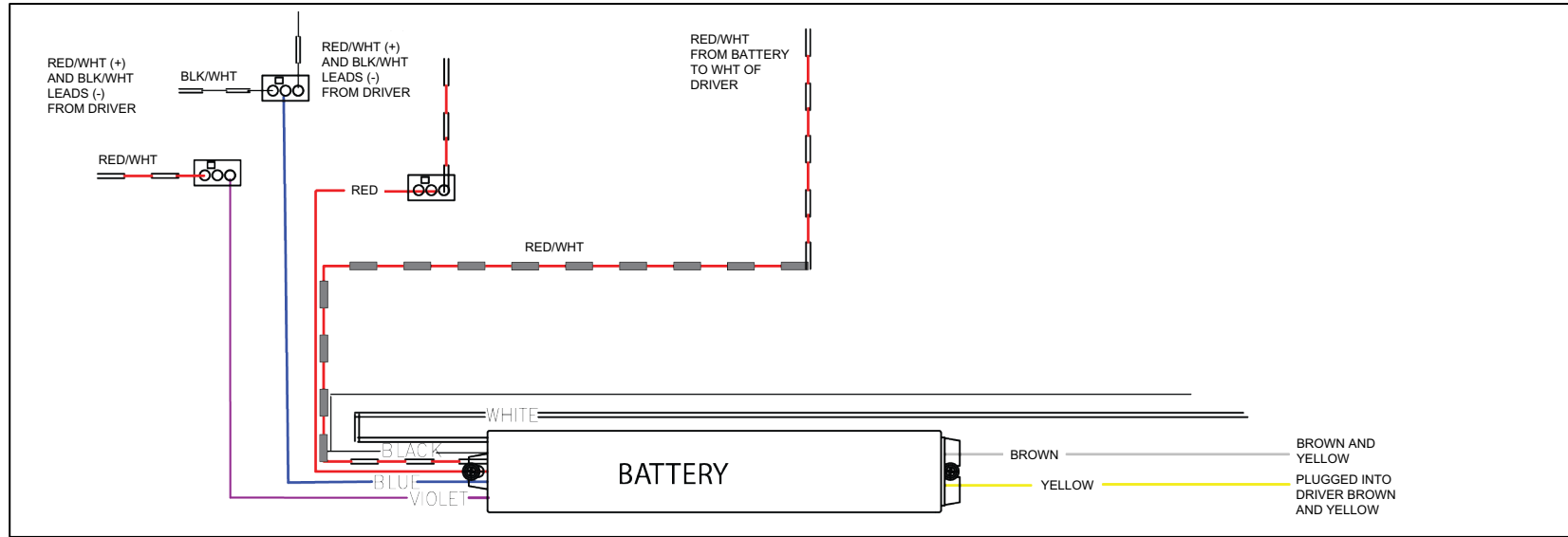
- Pull conduit and make electrical connections either at the end cap or wire access plate on top.
- Remove plates to make the wire connections with wire nuts.

**NOTE:** Wire nuts provided by others. Secure plates with screw provided. Secure electrical connections to the fixture per wiring chart on this page, and in accordance with local/national code. Secure wiring access plate back to fixture when completed.

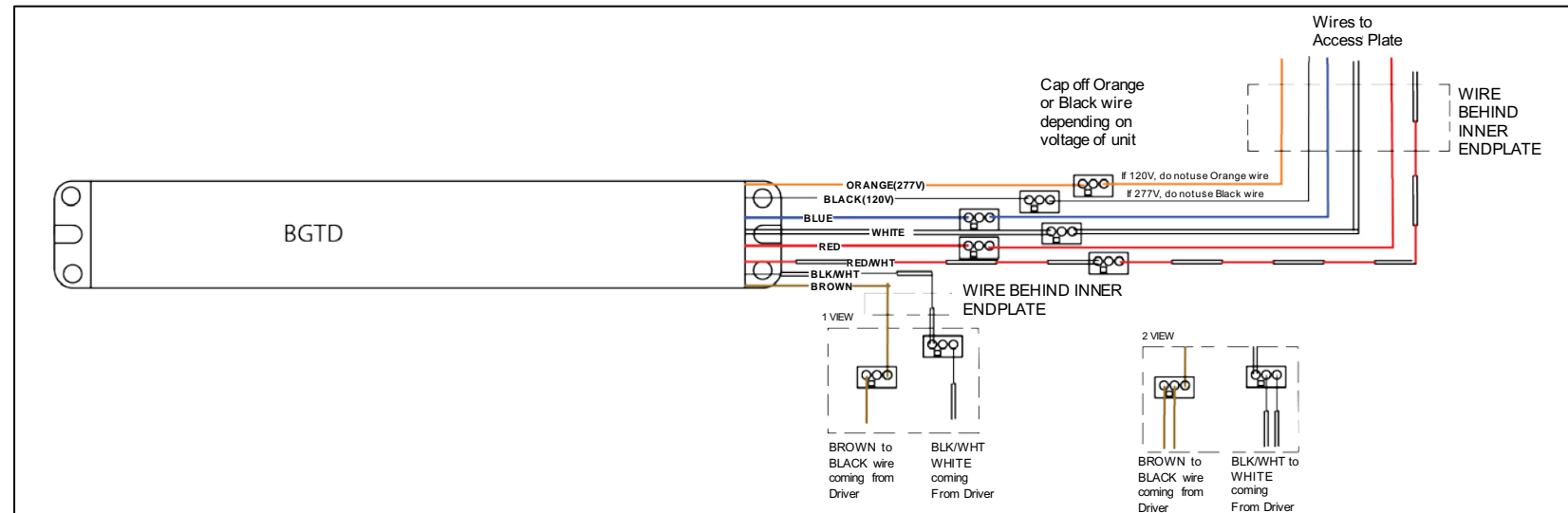
Safety p.1	Overview p.6	Set Up Ceiling p.8	Prepare Material p.11	Installation p.12	Electrical Connections p.14	Remote Battery or EC p.15	Supplemental p.17	Contractor's Resources p.23
---------------	-----------------	-----------------------	--------------------------	----------------------	--------------------------------	------------------------------	----------------------	--------------------------------

### F. Remote Battery or EC

#### Battery Wiring Diagram



#### Generator Transfer Device





Safety  
p.1

Overview  
p.6

Set Up Ceiling  
p.8

Prepare Material  
p.11

Installation  
p.12

Electrical Connections  
p.14

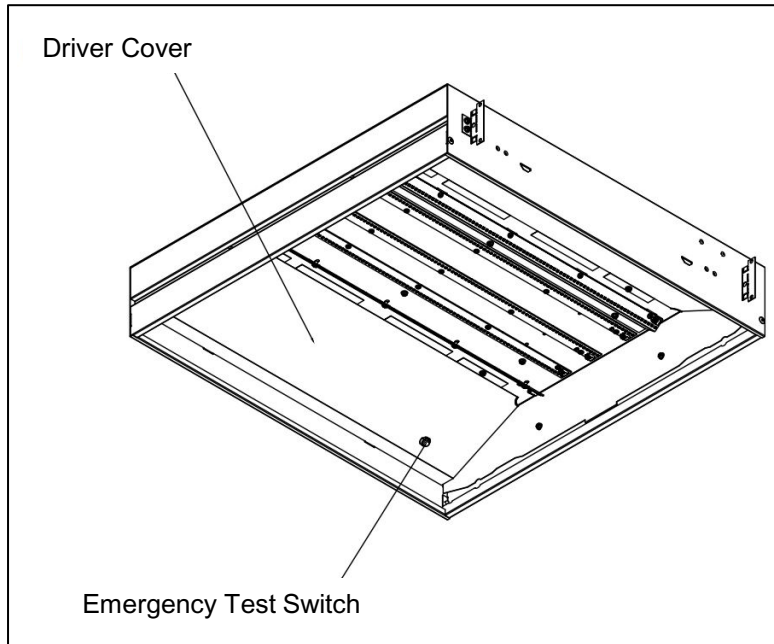
Remote Battery or EC  
p.15

Supplemental  
p.17

Contractor's Resources  
p.23

### F. Remote Battery or EC

#### Emergency Battery Access

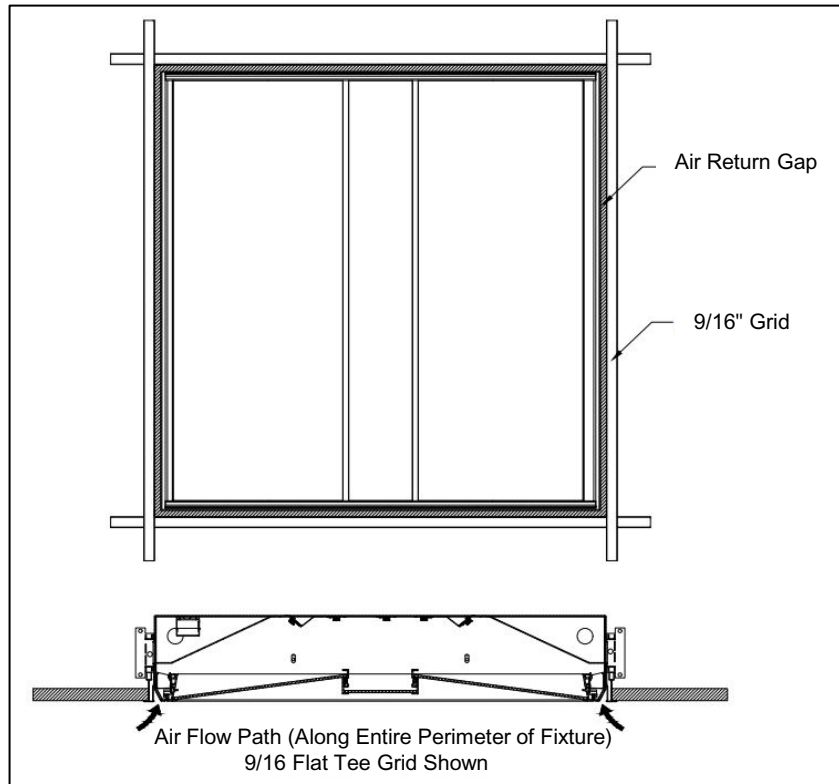


**NOTE:** For fixtures equipped with an emergency battery (E10WLCP), once door is removed.

- a. Unscrew and remove the driver cover with the emergency test switch.
- b. Connect the harness from the test switch to the battery.
- c. Ensure the connector is properly seated in the recessed slot on the battery pack housing.
- d. Verify the test switch light is ON.
- e. Reinstall driver cover and ensure no possibility of pinching any wire between housing channel and cover.

Safety p.1	Overview p.6	Set Up Ceiling p.8	Prepare Material p.11	Installation p.12	Electrical Connections p.14	Remote Battery or EC p.15	Supplemental p.17	Contractor's Resources p.23
---------------	-----------------	-----------------------	--------------------------	----------------------	--------------------------------	------------------------------	----------------------	--------------------------------

### G. Supplemental - Air Return



**NOTE:** Use total area of the air returns shown below in conjunction with the pressure differential between the plenum and room space to calculate your flow rate.

WHSPR 2X2	
Grid Type	Air Return Area (in <sup>2</sup> )
Flat 9/16	29.5
Flat 15/16	12.2
Slotted 9/16	29.5

WHSPR 2X4	
Grid Type	Air Return Area (in <sup>2</sup> )
Flat 9/16	44.9
Flat 15/16	18.5
Slotted 9/16	44.9

Safety  
p.1

Overview  
p.6

Set Up Ceiling  
p.8

Prepare Material  
p.11

Installation  
p.12

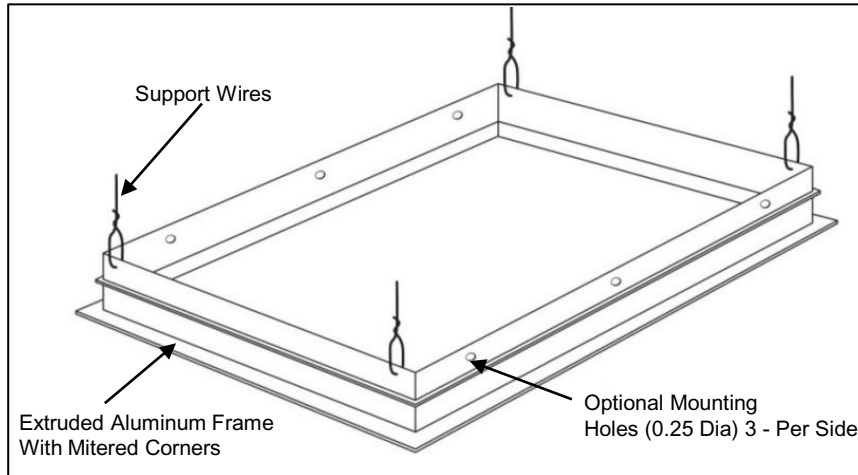
Electrical Connections  
p.14

Remote Battery or EC  
p.15

Supplemental  
p.17

Contractor's Resources  
p.23

### G. Supplemental - Drywall Grid Adaptor



**a.** Cut the drywall opening based on the size.

**b.** Use minimum 12GA support wire (not included) to tie the DGA, Drywall Grid Adaptor. If necessary, use support wires to tie the additional holes of the DGA to reinforce the strength.

**NOTE:** Additional holes are 0.25 diameter. DGA22-WHT includes additional holes on each side. DGA14-WHT & DGA24-WHT includes 3 additional holes on each side.

**c.** Another option to secure the DGA is to use the #8 self tapping screw.

**d.** Once the DGA is securely attached, angle the fixture up through the opening and rest it on the DGA.

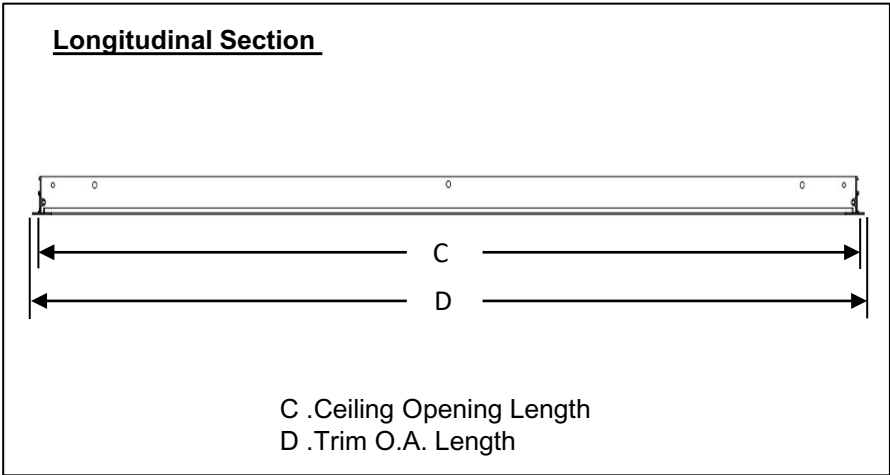
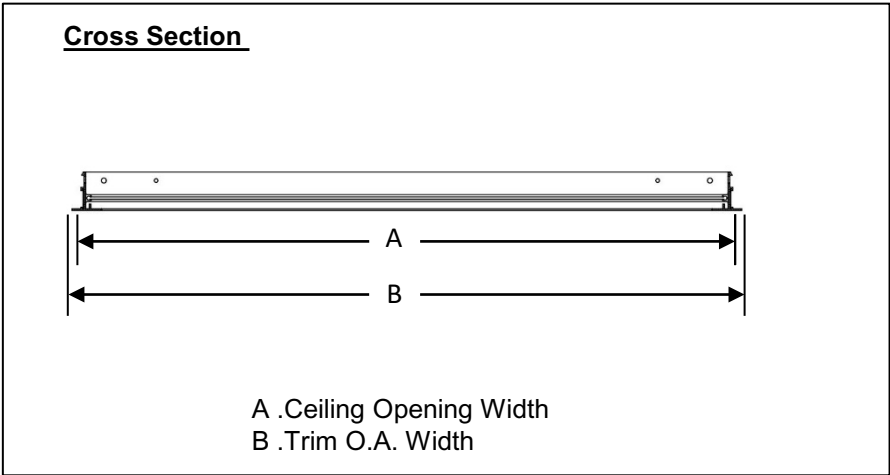
**NOTE:** #8 self tapping screw holes are  $\varnothing$  0.13", 2 per side.

**NOTE:** For recessed mounting in hard ceiling applications, use one of the drywall grid adapters in table on page 19.

**NOTE:** Drywall grid adapter must be installed prior to closing ceiling.

Safety p.1	Overview p.6	Set Up Ceiling p.8	Prepare Material p.11	Installation p.12	Electrical Connections p.14	Remote Battery or EC p.15	Supplemental p.17	Contractor's Resources p.23
---------------	-----------------	-----------------------	--------------------------	----------------------	--------------------------------	------------------------------	----------------------	--------------------------------

### G. Supplemental - Drywall Grid Adaptor



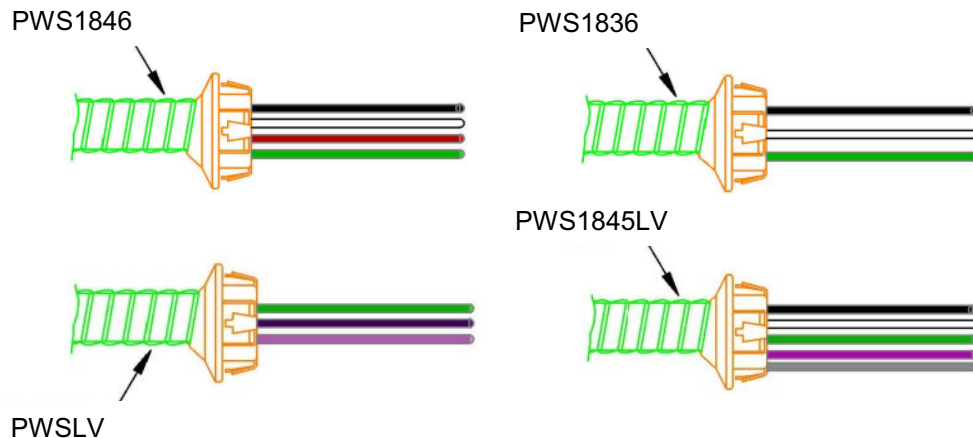
Fixture	Drywall Grid Adapter (DGA)	CI Codes	Width		Length	
			A	B	C	D
WHSPR 1X4	DG14WHS	*260AYR	12-7/8"	13-3/8"	48-7/8"	49-3/8"
WHSPR 2X2	DGA22	*497790	24-7/8"	25-3/8"	24-7/8"	25-3/8"
WHSPR 2X4	DGA24	*484328	24-7/8"	25-3/8"	48-7/8"	49-3/8"

**NOTE:** Drywall grid adapters are ordered separately.

Safety p.1	Overview p.6	Set Up Ceiling p.8	Prepare Material p.11	Installation p.12	Electrical Connections p.14	Remote Battery or EC p.15	Supplemental p.17	Contractor's Resources p.23
---------------	-----------------	-----------------------	--------------------------	----------------------	--------------------------------	------------------------------	----------------------	--------------------------------

### G. Supplemental - Pre Wire Whips

Type	Dimensions
PWS1836	6' pre-wire, 3/8" diameter, 18 gauge, 1 circuit.
PWS1846	6' pre-wire, 3/8" diameter, 18 gauge, 2 circuit.
PWS1846PWSLV	Two cables: one 6' pre-wire, 3/8" diameter, 18 gauge, 2 circuits; one 6' pre-wire, 3/8" diameter, 18 gauge, purple and gray.
PWS18456LV	6' pre-wire, 3/8" diameter, 18 gauge, 1 circuit w/low voltage purple and grey wires.



Option	Fixture Wire Color	
1 circuit	Black	Hot
	White	Neutral
	Green	Ground
2 circuit	Red	Hot*
0-10V Dimming	Purple	Dimming
	Grey or Pink	Dimming

\*Unswitched hot for battery pack option(E10WLCP)

Safety p.1	Overview p.6	Set Up Ceiling p.8	Prepare Material p.11	Installation p.12	Electrical Connections p.14	Remote Battery or EC p.15	Supplemental p.17	Contractor's Resources p.23
---------------	-----------------	-----------------------	--------------------------	----------------------	--------------------------------	------------------------------	----------------------	--------------------------------

### G. Supplemental - Replacement Parts

Fixture	Center Shielding	Door Assembly	Grid Clips	Antenna
1x4	SWC	*258S96 - HG5545 WHSPR 1X4 DOOR SWC	*258XRF - T GRID CLIPS WHSL	*274X9N NLTAIR2 ANT
	YBC	*270GYL - HG5546 WHSPR 1X4 DOOR YBC		
2x2	SWC	*25340M - HG5537 WHSPR 2X2 DOOR SWC SWO	*258XRF - T GRID CLIPS WHSL	*274X9N NLTAIR2 ANT
	YBC	*260997 - HG5538 WHSPR 2X2 DOOR SWO YBC		
	SWC OCC	*260997 - HG5539 WHSPR 2X2 DOOR SWC OCC		
2x4	SWC	*252RKY - HG5541 WHSPR 2X4 DOOR SWC	*258XRF - T GRID CLIPS WHSL	*274X9N NLTAIR2 ANT
	YBC	*255YJV - HG5542 WHSPR 2X4 DOOR YBC		
	SWC OCC	*258H1S - HG5543 WHSPR 2X4 DOOR SWC OCC		

**NOTE:** If lens replacement is required, please order the door assembly due to difficult field installation of individual lens.

Safety  
p.1

Overview  
p.6

Set Up Ceiling  
p.8

Prepare Material  
p.11

Installation  
p.12

Electrical Connections  
p.14

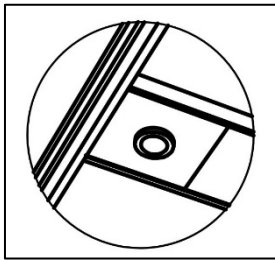
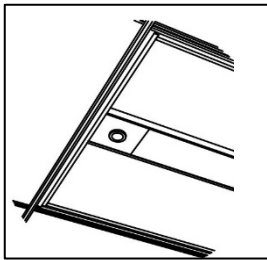
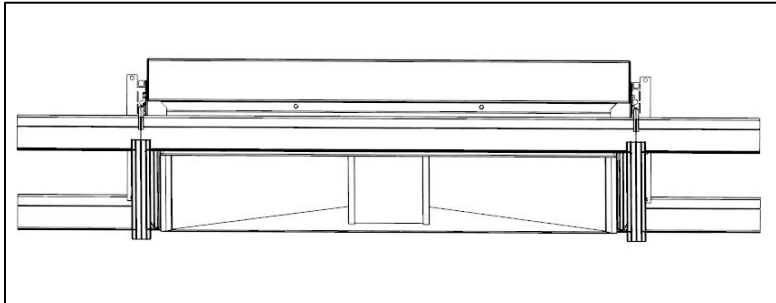
Remote Battery or EC  
p.15

Supplemental  
p.17

Contractor's Resources  
p.23

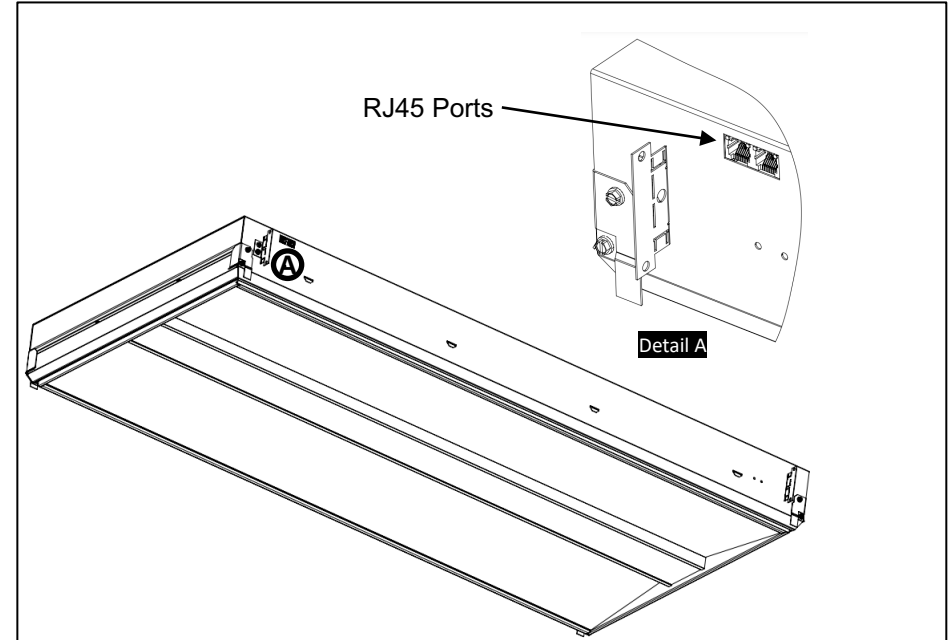
### G. Supplemental – nLight Control

#### nLight® AIR



- a. Install the nLight® AIR fixtures with embedded smart sensor.
- b. Install the wireless battery-powered wall switch.
- c. With CLAIRITY app, pair the fixtures with the wall switch and if desired, customize the sensor settings for the intended outcome.

#### nLight® Wired



- a. Optional nLight® embedded controls make luminaire addressable-allowing it to digitally communicate with other nLight enabled controls such as dimmers, switches, occupancy sensors and photocontrols.
- b. Simply connect all the nLight enabled control devices using standard CAT5 cabling.



Safety p.1	Overview p.6	Set Up Ceiling p.8	Prepare Material p.11	Installation p.12	Electrical Connections p.14	Remote Battery or EC p.15	Supplemental p.17	Contractor's Resources p.23
<b>H. Contractor's Resources</b>								

Check out helpful programs, tools, installation videos and more.

