

MARK ARCHITECTURAL LIGHTING™



The **SPR LED** Series

SPR LED combines the environmental and cost-saving benefits of solid-state lighting with the popular SP design. The result is a recessed linear wall product that provides an excellent balance of efficiency and performance.

SPR LED, which features a very compact profile, offers highly uniform illumination along wall surfaces. Housing and vertical fascias are extruded aluminum, and the extruded clear frosted acrylic lens snaps into the housing. SPR LED is available in 8-, 7-, 6-, 5-, 4-, 3-, and 2-foot sections. Corners are available; please consult factory.

Type:

Project:

Catalog Number:

DO NOT TYPE HERE. Autopopulated field.

Specification Features (continued on page 2)

Housing

Housing and vertical fascias are extruded aluminum. Internal wiring trays are 20-gauge, cold-rolled steel.

Housing Finish

Natural Aluminium; Fascia is high reflectance matte white.

Shielding

Extruded clear frost acrylic lens snaps into housing.

Mounting

Recessed perimeter wall wash in 8', 7', 6', 5', 4', 3', and 2' sections.

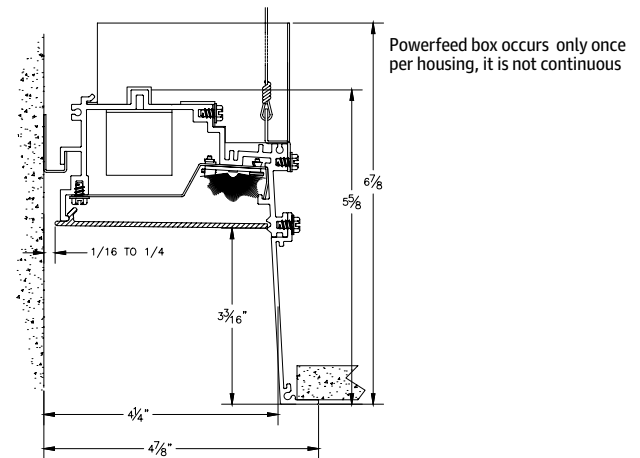
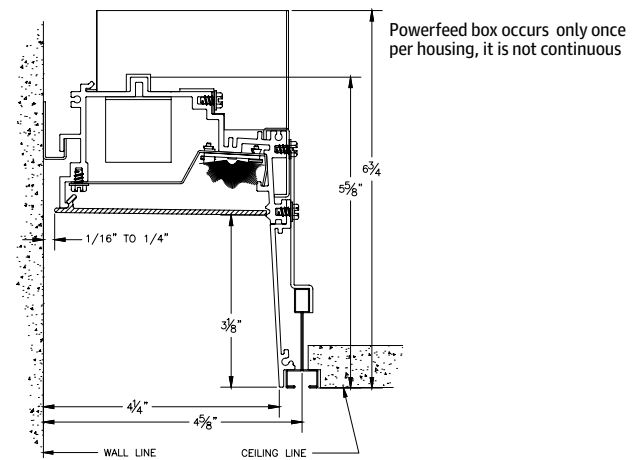
Fixture Performance - SPRL

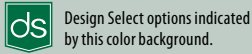
Lumens Output	400 LMF	600 LMF	800 LMF	1000 LMF
Delivered Lumens (l/ft)	367	632	856	1078
Input Watts	3.4	5.8	8.0	10.5
Lumen/Watt	106.8	108.8	106.7	102.8

Results based on a 4FT 80CRI 35K luminaire.

Consult factory for customized lumen and wattage based on calculated values.

Technical Drawings





Ordering

Example: SPRLED LOP 24FT6.50 RLP G9 80CRI 35K 800LMF MIN1 MVOLT Z

Series	Linear Plan	Total Run Length ¹	Fixture Style	Ceiling Trim	Direct Light Source CRI	
SPRLED Fully Recessed SPLED	LOP Linear Optimized Plan	_FT_ Provide wall-to-wall dimension to nearest 1/4" (Example 24' - 6 1/2" = 24FT6.5) _FT Provide wall-to-wall dimension to nearest foot. Patterns not available	RLP Regressed Lens	G9 9/16" wide inverted tee FL 5/8" flange (sheetrock)	80CRI 80CRI 90CRI 90CRI	
Direct LED Color Temperature	Direct LED Light Output	Minimum Dimming Level	Voltage	Emergency Options	Control Input	Option Group
30K 3000K 35K 3500K 40K 4000K	400LMF 400 lumens per foot 450LMF 450 lumens per foot 600LMF 600 lumens per foot 800LMF 800 lumens per foot 1000LMF 1000 lumens per foot	NODIM² No Dimming MIN1 Constant current, dimming to 1% DARK Constant current, dimming to <1% MIN10 10% Minimum Dimming	MVOLT MVOLT 120 120 volt 277 277 volt	(blank) No emergency _RE10W Number of emergency sections with remote battery pack EMG³ Sections with emergency nLight device for use with generator supply EM power _EC⁴ # of Emergency Circuits	(blank) No control input. For use with non-dimming DALI DALI ECO Lutron Ecosystem Interface Module ECOD⁵ Lutron Ecosystem Driver NLIGHT nLight enabled ZT 0-10V	CP Chicago plenum PWS 6' pre-wire, 3/8" diameter, 18 gauge

- Notes**
1. Provide field dimensions for patterns, clearly indicating inside or outside corners. Patterns are made to size and are not field adjustable. Upon request factory will prepare installations drawing for approval.
 2. If NODIM is selected, do not select a value from the control input category.
 3. Must select NLIGHT option.
 4. 5' & 6' sections get 3' on EC. 4', 7' & 8' get 4' on EC.
 5. ECOD when combined with MIN1 incorporates an Ecosystem H-Series 1% dimming driver.



Items marked by a shaded background qualify for the Design Select program and ship in 15 days or less. To learn more about Design Select, visit www.acuitybrands.com/designselect.
*See ordering tree for details

Maximum order quantity for Design Select lead times is 500 linear feet.

Specification Features (continued)

LED Life

Rated 50,000 hours (L80) at 25° C ambient temperature.

Color Consistency

The Acuity Brands circuit boards for the linear LED components use a precise binning algorithm which creates a consistent color temperature from board to board. Color variation is no greater than a 2.5 Step MacAdam (2.5SDCM) along the black body locus from board to board.

Integrated Controls

Optional nLight® embedded controls make luminaire addressable- allowing it to digitally communicate with other nLight enabled controls such as dimmers, switches, occupancy sensors and photocontrols. Simply connect all the nLight enabled control devices using standard CAT5 Cabling. (Option: NLIGHT)

A+ Capable Luminaire

This item is an A+ capable luminaire, which has been designed and tested to provide consistent color appearance and out-of-the-box control compatibility with simple commissioning when used with Acuity Brands controls products.

All configurations of this luminaire are calibrated and tested to meet the Acuity Brands' specification for chromatic consistency - including color rendering, color fidelity, and color temperature tolerance around standard CIE chromaticity coordinates.

To learn more about Acuity A+ standards, specifications, and testing, visit www.acuitybrands.com/aplus

Buy American Act

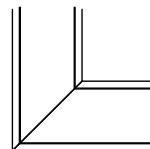
This product is assembled in the USA and meets the Buy America(n) government procurement requirements under FAR, DFARS and DOT regulations. Please refer to www.acuitybrands.com/buyamerican for additional information.

Certification

CSA tested to UL 1598 standards, rated for Chicago Plenum. Rated for damp location use.

Corners

Patterns can be configured in 1' increments with illuminated 90° inside or outside corners, with standard 2' corner junction lengths. For custom angles, corner or junction lengths, consult factory.



90° Corner

Warranty

5-year limited warranty. This is the only warranty provided and no other statements in this specification sheet create any warranty of any kind. All other express and implied warranties are disclaimed. Complete warranty terms located at:

www.acuitybrands.com/support/warranty/terms-and-conditions

Note: Actual performance may differ as a result of end-user environment and application. All values are design or typical values, measured under laboratory conditions at 25 °C. Specifications subject to change without notice.

SPRLED MAX RUN CHART				
Color Temperature	Lumens/ft	Watts/ft	Amp Run Length Limit @ 120V (ft)	Amp Run Length Limit @ 277V (ft)
STWH 30K-40K	400	3.4	212	488
	450	4.8	150	346
	600	5.8	124	286
	800	8	90	208
	1000	10.5	69	158

(RUN LIMIT BASED ON 6AMP PER NEC TABLE 402.5 USING 18GA SOLID FIXTURE WIRE)

nLight Air Wireless

To Make fixture NLTAIR2 compatible the following components are required:

- 1) rpp20 D
- 2) rPODB 2P DX

