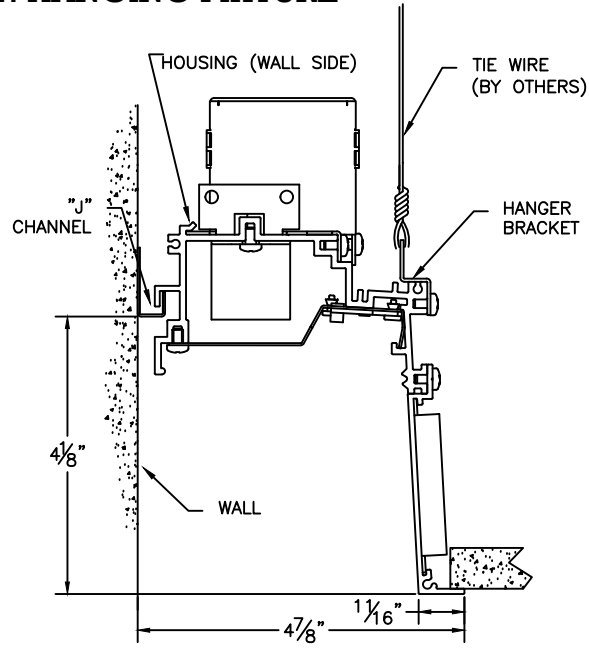
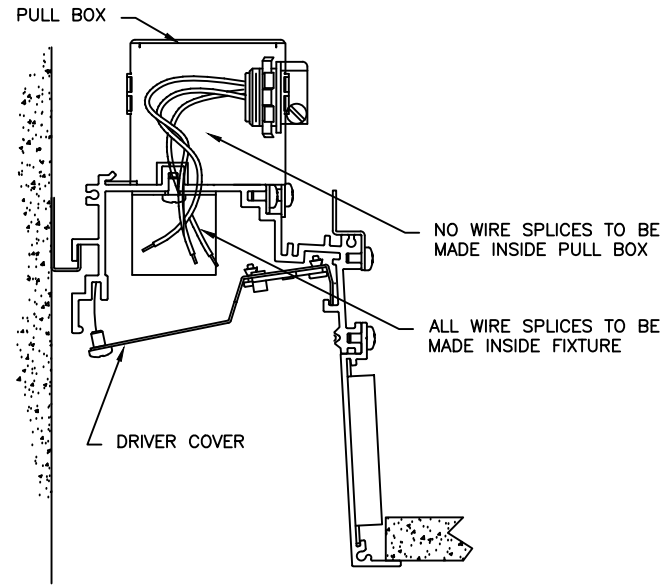
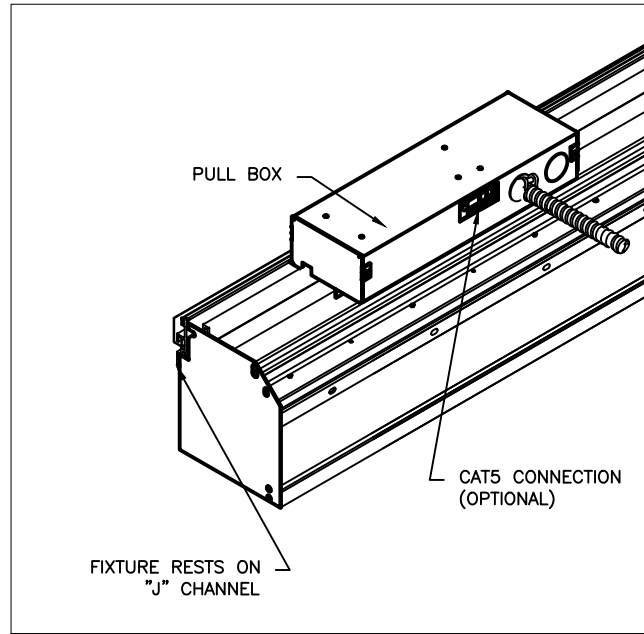


1. HANGING FIXTURE



1. TRIM "J" CHANNEL TO FIXTURE LENGTH WHERE REQUIRED. ATTACH "J" CHANNEL TO WALL AT HEIGHT INDICATED ABOVE CEILING LINE (HARDWARE BY OTHERS)
2. HOOK FIXTURE ON "J" CHANNEL AND SLIDE AGAINST WALL
3. SUPPORT ROOM SIDE OF FIXTURE WITH TIE WIRE (BY OTHERS) FROM HANGER BRACKET

2. ATTACHING FEED



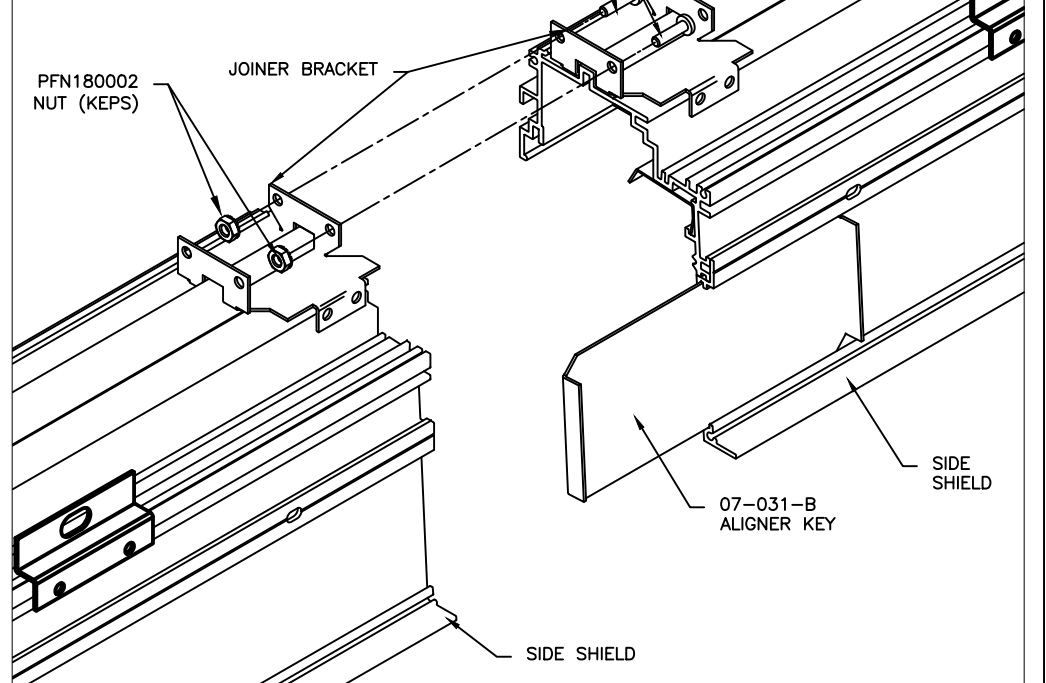
1. ATTACH POWER FEED TO PULLBOX AT TOP OF FIXTURE.
2. RUN WIRE THROUGH HOUSING INTO POWER SUPPLY CHAMBER.
3. LOWER DRIVER COVER TO ACCESS POWER SUPPLY CHAMBER.
4. ALL WIRE SPLICES ARE TO BE MADE IN FIXTURE HOUSING. NO SPLICES TAKE PLACE INSIDE PULLBOX.
5. RE-ATTACH DRIVER COVER TO HOUSING WHEN DONE

This document, the designs and information presented hereon are the confidential and proprietary property of Mark Architectural Lighting and is presented for the sole use of conveying product data to our customer. The use, reproduction or divulging of its contents without the consent or knowledge of Mark Architectural Lighting is prohibited.

Rev.	Description	Date	By
01	REMOVED THERMAL PROTECTOR FROM INSTALLATION INST.	02/18/19	JRG06

3A. JOINING FIXTURES

1. SECURE JOINER BRACKETS TOGETHER WITH (2) SCREWS AND (2) NUTS PROVIDED
2. SLIDE ALIGNER KEY BETWEEN SIDE SHIELDS FOR ALIGNMENT

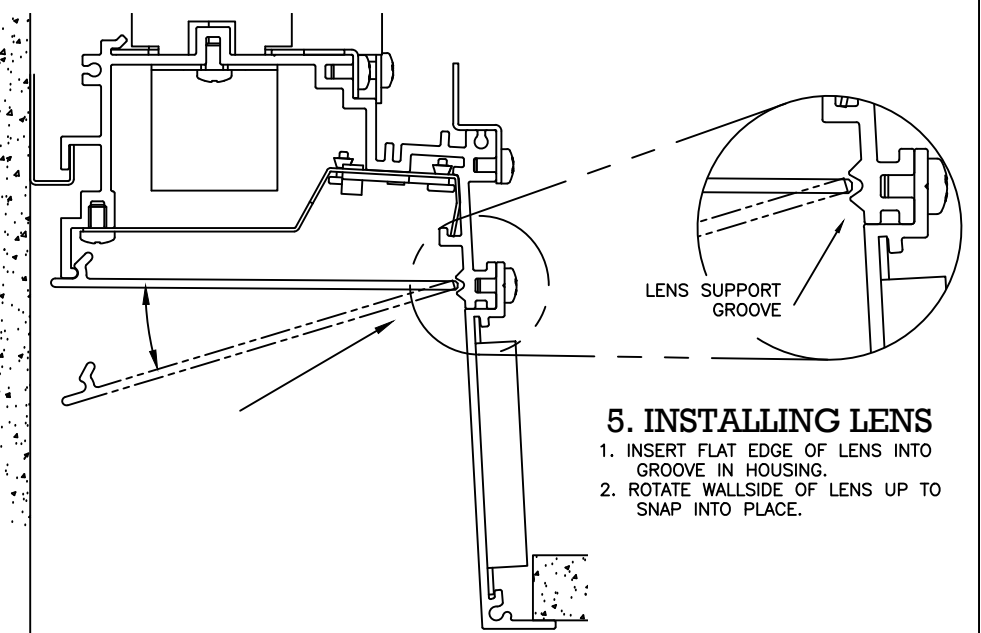
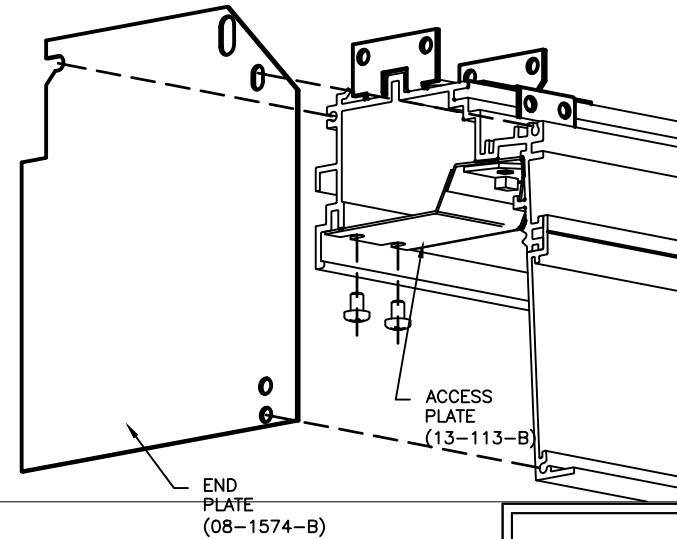


FIXTURE MUST BE INSTALLED PRIOR TO CEILING

DO NOT INSTALL INSULATION WITHIN 3" OF ANY SURFACE OF HOUSING OR DETECTOR

4. END PLATES AND ACCESS PLATES

1. ATTACH END PLATES TO 'END OR RUN' AND 'BEGINNING OF RUN' WITH #6 X 1/2 SCREWS (PFS170605).
2. INSTALL ACCESS PLATES (13-113-B) TO 'END OF RUN' & 'BEGINNING OF RUN' WITH #8 SELF TAP SCREWS (PFS170640A)

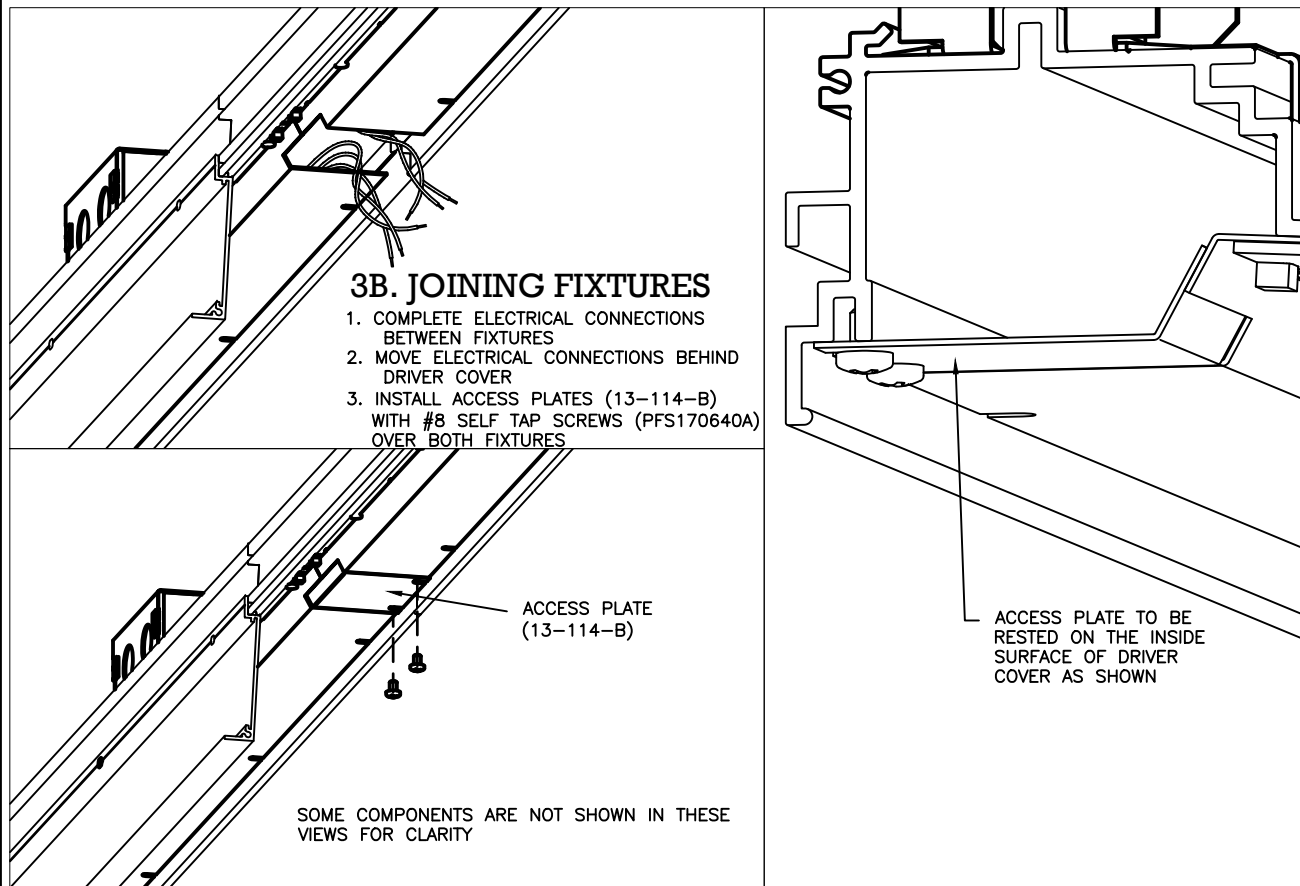


5. INSTALLING LENS

1. INSERT FLAT EDGE OF LENS INTO GROOVE IN HOUSING.
2. ROTATE WALLSIDE OF LENS UP TO SNAP INTO PLACE.

3B. JOINING FIXTURES

1. COMPLETE ELECTRICAL CONNECTIONS BETWEEN FIXTURES
2. MOVE ELECTRICAL CONNECTIONS BEHIND DRIVER COVER
3. INSTALL ACCESS PLATES (13-114-B) WITH #8 SELF TAP SCREWS (PFS170640A) OVER BOTH FIXTURES

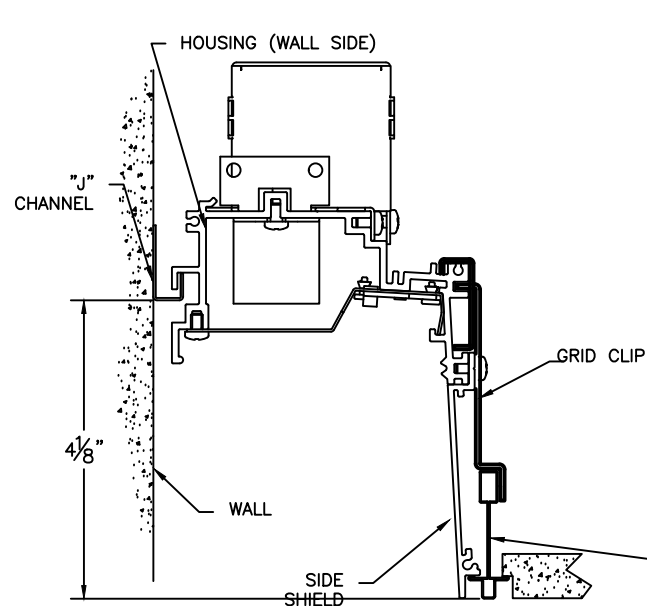


SOME COMPONENTS ARE NOT SHOWN IN THESE VIEWS FOR CLARITY

G:\DRAWING\Title Blocks\Mark Logo.jpg

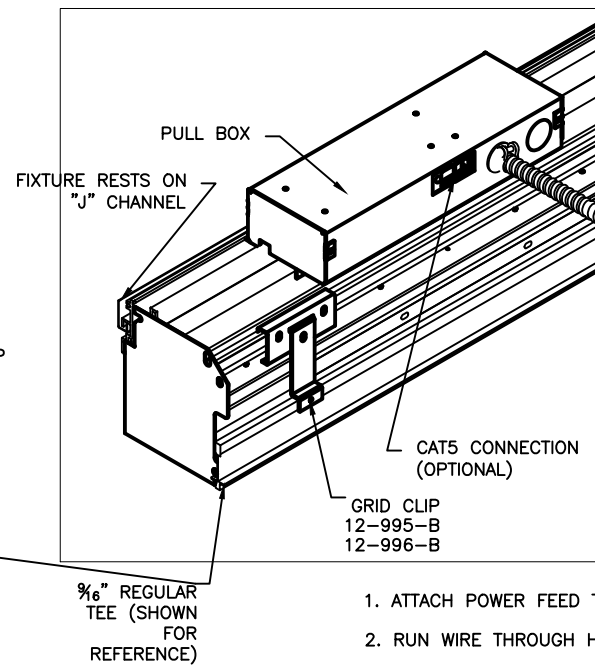
Project: SHEETROCK INSTALLATION SPLD SERIES			
Distributor:			
By: DKC	Date: 01/25/13	Scale: NONE	
Dwg. no.:	13-311	Size: B	Rev. 01
SHEET 1 OF 2			

1. HANGING FIXTURE

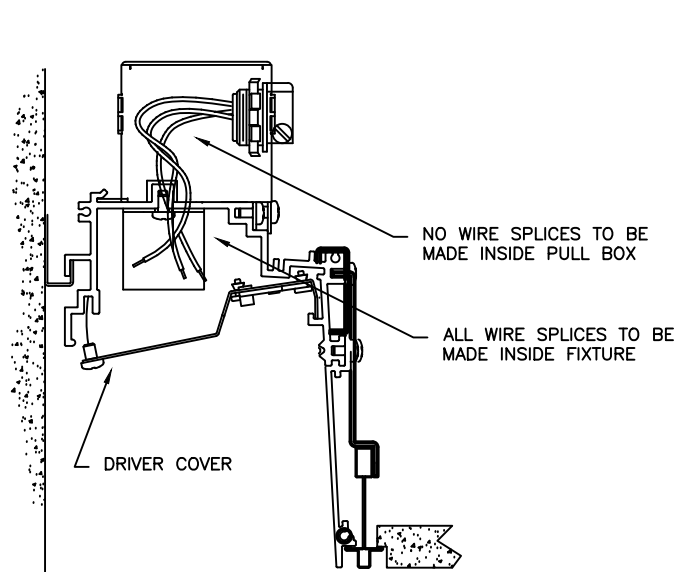


1. TRIM "J" CHANNEL TO FIXTURE LENGTH WHERE REQUIRED. ATTACH "J" CHANNEL TO WALL AT HEIGHT INDICATED ABOVE CEILING LINE (HARDWARE BY OTHERS)
2. HOOK FIXTURE ON "J" CHANNEL AND SLIDE AGAINST WALL
3. SUPPORT ROOM SIDE OF FIXTURE WITH TIE WIRE (BY OTHERS) FROM HANGER BRACKET
4. GRID CLIP RESTS ON INSTALLED CEILING TEE AND IS ATTACHED TO FIXTURE THROUGH SIDE SHIELD. ATTACH GRID CLIP TO TEE WHERE REQUIRED (HARDWARE BY OTHERS)

2. ATTACHING FEED



1. ATTACH POWER FEED TO PULLBOX AT TOP OF FIXTURE.
2. RUN WIRE THROUGH HOUSING INTO POWER SUPPLY CHAMBER.
3. LOWER DRIVER COVER TO ACCESS POWER SUPPLY CHAMBER.
4. ALL WIRE SPLICES ARE TO BE MADE IN FIXTURE HOUSING. NO SPLICES TAKE PLACE INSIDE PULLBOX.
5. RE-ATTACH DRIVER COVER TO HOUSING WHEN DONE

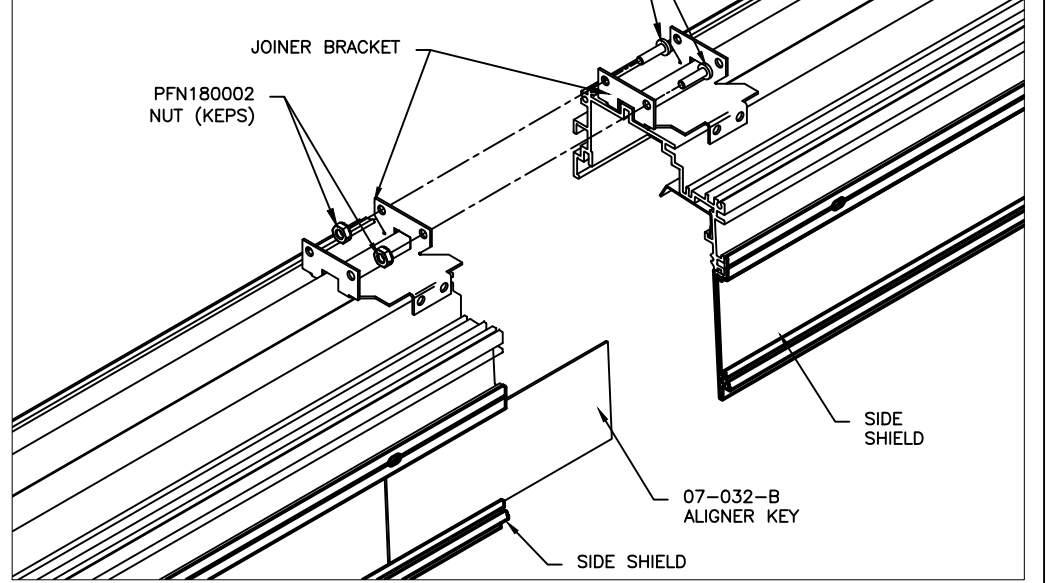


This document, the designs and information presented hereon are the confidential and proprietary property of Mark Architectural Lighting and is presented for the sole use of conveying product data to our customer. The use, reproduction or divulging of its contents without the consent or knowledge of Mark Architectural Lighting is prohibited.

Rev.	Description	Date	By
01	REMOVED THERMAL PROTECTOR FROM INSTALLATION INST.	02/18/19	JRG06

3. JOINING FIXTURES

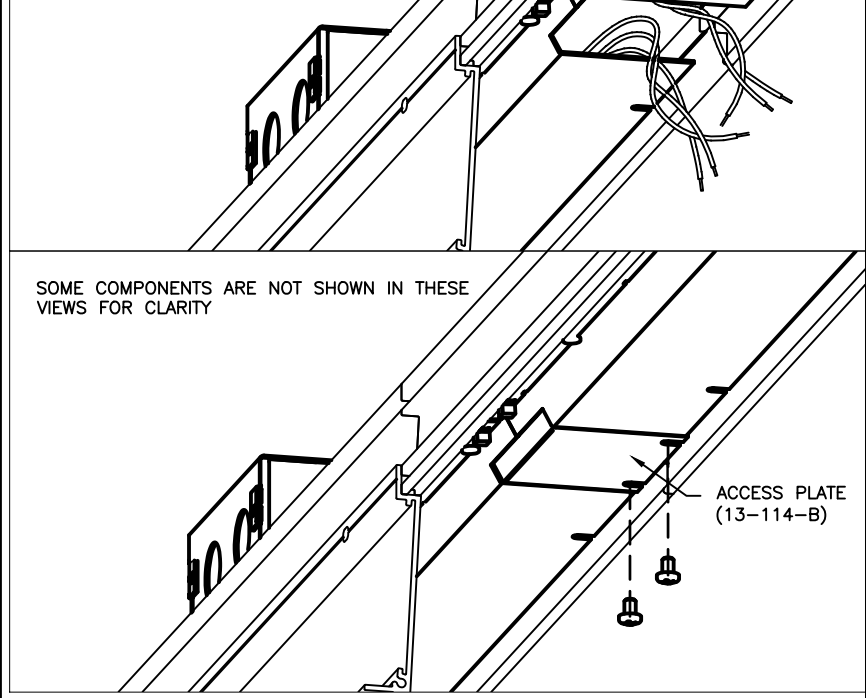
1. SECURE JOINER BRACKETS TOGETHER WITH (2) SCREWS AND (2) NUTS PROVIDED
2. SLIDE ALIGNER KEY BETWEEN SIDE SHIELDS FOR ALIGNMENT



DO NOT INSTALL INSULATION WITHIN 3" OF ANY SURFACE OF HOUSING OR DETECTOR

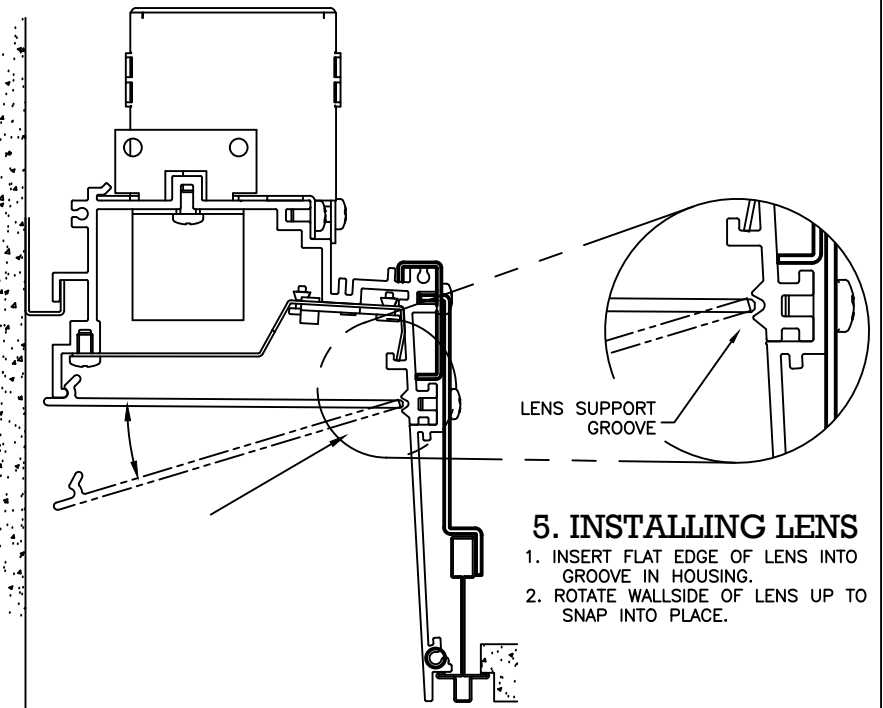
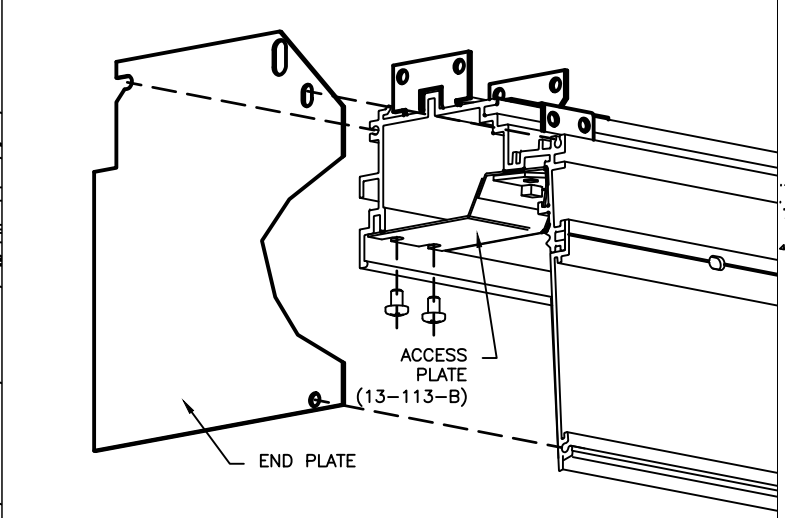
3B. JOINING FIXTURES

1. COMPLETE ELECTRICAL CONNECTIONS BETWEEN FIXTURES
2. MOVE ELECTRICAL CONNECTIONS BEHIND DRIVER COVER
3. INSTALL ACCESS PLATES (13-114-B) WITH #8 SELF TAP SCREWS (PFS170640A) OVER BOTH FIXTURES



4. END PLATES AND ACCESS PLATES

1. ATTACH END PLATES TO 'END OR RUN' AND 'BEGINNING OF RUN' WITH #6 X 1/2 SCREWS (PFS170605).
2. INSTALL ACCESS PLATES (13-113-B) TO 'END OF RUN' & 'BEGINNING OF RUN' WITH #8 SELF TAP SCREWS (PFS170640A)



5. INSTALLING LENS

1. INSERT FLAT EDGE OF LENS INTO GROOVE IN HOUSING.
2. ROTATE WALLSIDE OF LENS UP TO SNAP INTO PLACE.

G:\DRAWING\Title Blocks\Mark Logo.jpg

Project: GRID INSTALLATION SPLD SERIES			
Distributor:			
By: DKC	Date: 01/25/13	Scale: NONE	
Dwg. no.: 13-311 SHEET 2 OF 2	Size: B	Rev.:	01