



Important Safety Instructions

READ AND FOLLOW ALL SAFETY INSTRUCTIONS!
SAVE THESE INSTRUCTIONS AND DELIVER TO OWNER AFTER INSTALLATION

- To reduce the risk of death, personal injury or property damage from fire, electric shock, falling parts, cuts/abrasions, and other hazards please read all warnings and instructions included with and on the fixture box and all fixture labels.
- Before installing, servicing, or performing routine maintenance upon this equipment, follow these general precautions.
- Installation and service of luminaires should be performed by a **qualified licensed electrician**.
- Maintenance of the luminaires should be performed by person(s) familiar with the luminaires' construction and operation and any hazards involved. Regular fixture maintenance programs are recommended.
- It will occasionally be necessary to clean the outside of the refractor/lens. Frequency of cleaning will depend on ambient dirt level and minimum light output which is acceptable to user. Refractor/lens should be washed in a solution of warm water and any mild, non-abrasive household detergent, rinsed with clean water and wiped dry. Should optical assembly become dirty on the inside, wipe refractor/lens and clean in above manner, replacing damaged gaskets as necessary.
- **DO NOT INSTALL DAMAGED PRODUCT!** This luminaire has been properly packed so that no parts should have been damaged during transit. Inspect to confirm. Any part damaged or broken during or after assembly should be replaced.
- Recycle: For information on how to recycle LED electronic products, please visit www.epa.gov.
- These instructions do not purport to cover all details or variations in equipment nor to provide every possible contingency to meet in connection with installation, operation, or maintenance. Should further information be desired or should particular problems arise which are not covered sufficiently for the purchaser's or owner's purposes, this matter should be referred to Acuity Brands Lighting, Inc.



WARNING RISK OF ELECTRIC SHOCK

- ✓ Disconnect or turn off power before installation or servicing.
- ✓ Verify that supply voltage is correct by comparing it with the luminaire label information.
- ✓ Make all electrical and grounded connections in accordance with the National Electrical Code (NEC) and any applicable local code requirements.
- ✓ All wiring connections should be capped with UL approved recognized wire connectors.



WARNING RISK OF BURN

- ✓ Allow lamp/fixture to cool before handling. Do not touch enclosure or light source.
- ✓ Do not exceed maximum wattage marked on luminaire label.
- ✓ Follow all manufacturer's warnings, recommendations and restrictions for: driver type, burning position, mounting locations/methods, replacement and recycling.



Important Safety Instructions



CAUTION RISK OF INJURY

- ✓ Wear gloves and safety glasses at all times when removing luminaire from carton, installing, servicing or performing maintenance.
- ✓ Avoid direct eye exposure to the light source while it is on.



CAUTION RISK OF FIRE

- ✓ Keep combustible and other materials that can burn, away from lamp/lens.
- ✓ Do not operate in close proximity to persons, combustible materials or substances affected by heat or drying.



CAUTION: RISK OF PRODUCT DAMAGE

- ✓ Never connect components under load.
- ✓ Do not mount or support these fixtures in a manner that can cut the outer jacket or damage wire insulation.
- ✓ Controls for dimming, auto-sensing, or remote control of a luminaire that are not factory-wired to the luminaire must be checked for compatibility with the luminaire prior to installation. LED fixtures must be powered directly on a switched circuit.
- ✓ Unless individual product specifications deem otherwise: Do not restrict fixture ventilation. Allow for some volume of airspace around fixture. Avoid covering LED fixtures with insulation, foam, or other material that will prevent convection or conduction cooling.
- ✓ Unless individual product specifications deem otherwise: Do not exceed fixtures maximum ambient temperature.
- ✓ Only use fixture in its intended location.
- ✓ LED products are Polarity Sensitive. Ensure proper Polarity before installation.
- ✓ Electrostatic Discharge (ESD): ESD can damage LED fixtures. Personal grounding equipment must be worn during all installation or servicing of the unit.
- ✓ Do not touch individual electrical components as this can cause ESD, shorten lamp life, or alter performance.
- ✓ Some components inside the fixture may not be serviceable. In the unlikely event your unit may require service, stop using the unit immediately and contact an ABL representative for assistance.
- ✓ Always read the fixtures complete installation instructions prior to installation for any additional fixture specific warnings.
- ✓ Always ensure that the electrical distribution system is up to NEC (and any applicable local code) requirements.
- ✓ Verify that power distribution system has proper grounding. Lack of proper earth ground can lead to fixture failure and may void warranty.

Choose either Part 15 OR Part 18 and move to Page 3 Installation Instructions under Delivery. Lithonia Outdoor will always use Part 15.

All luminaires that contain electronic devices that generate frequencies above 9kHz from any component within the luminaire comply with Part 15 of the FCC Rules. Operation is subject to the following two conditions:

- (1) This device may not cause harmful interference
- (2) This device must accept any interference received, including interference that may cause undesired operation



Important Safety Instructions

This device complies with Part 18 of the FCC Rules but may cause interference with cordless and cell phones, radios, televisions, and other electronic devices. To correct the problem, move the device away from the luminaire or plug into a different outlet. This product may cause interference to radio equipment and should not be installed near maritime safety communications equipment or other critical navigation or communications equipment operating between 0.45-30MHz.

Failure to follow any of these instructions could void product warranties. For a complete listing of product Terms and Conditions, please visit www.acuitybrands.com.

Acuity Brands Lighting, Inc. assumes no responsibility for claims arising out of improper or careless installation or handling of its products.

ABL LED General Warnings, Form No. 503.203


© 2021, 2010, 2016 Acuity Brands Lighting, Inc. All rights reserved. 12/01/10

**READ AND FOLLOW ALL SAFETY INSTRUCTIONS!
SAVE THESE INSTRUCTIONS AND DELIVER TO OWNER AFTER INSTALLATION**

- To reduce the risk of death, personal injury or property damage from fire, electric shock, falling parts, cuts/abrasions, and other hazards please read all warnings and instructions included with and on the fixture box and all fixture labels.
- Before installing, servicing, or performing routine maintenance upon this equipment, follow these general precautions.
- Installation and service should be performed by a **qualified licensed electrician**.
- Maintenance should be performed by qualified person(s) familiar with the products' construction and operation and any hazards involved. Regular maintenance programs are recommended.
- **DO NOT INSTALL DAMAGED PRODUCT!** This product has been properly packed so that no parts should have been damaged during transit. Inspect to confirm. Any part damaged or broken during or after assembly should be replaced.
- These instructions do not purport to cover all details or variations in equipment nor to provide every possible contingency to meet in connection with installation, operation, or maintenance. Should further information be desired or should particular problems arise which are not covered sufficiently for the purchaser's or owner's purposes, this matter should be referred to Acuity Brands Lighting, Inc.




Important Safety Instructions




WARNING
RISK OF ELECTRIC SHOCK

- ✓ Disconnect or turn off power before installation or servicing.
- ✓ Verify that supply voltage is correct by comparing it with the luminaire label information.
- ✓ Make all electrical and grounded connections in accordance with the National Electrical Code (NEC) and any applicable local code requirements.
- ✓ All wiring connections should be capped with UL approved recognized wire connectors.




WARNING
RISK OF BURN

- ✓ Allow lamp/fixture to cool before handling. Do not touch enclosure or light source.
- ✓ Do not exceed maximum wattage marked on luminaire label.
- ✓ Follow all manufacturer's warnings, recommendations and restrictions for: driver type, burning position, mounting locations/methods, replacement and recycling.



CAUTION
RISK OF INJURY

- ✓ Wear gloves and safety glasses at all times when removing luminaire from carton, installing, servicing or performing maintenance.
- ✓ Avoid direct eye exposure to the light source while it is on.



CAUTION
RISK OF FIRE

- ✓ Keep combustible and other materials that can burn, away from lamp/lens.
- ✓ Do not operate in close proximity to persons, combustible materials or substances affected by heat or drying.

Always read the fixtures complete installation instructions prior to installation for any additional fixture specific warnings.

Failure to follow any of these instructions could void product warranties. For a complete listing of product Terms and Conditions, please visit www.acuitybrands.com.

Acuity Brands Lighting, Inc. assumes no responsibility for claims arising out of improper or careless installation or handling of its products.

ABL LED General Warnings, Form No. 503.203

© 2021, 2010, 2016 Acuity Brands Lighting, Inc. All rights reserved. 12/01/10

Safety p.1	Overview p.6	Mounting p.7	Prep Fixtures p.8	Open Fixtures p.9	Mount First Fixture p.10	Join Sections p.11	Close Fixtures p.12	Supplemental p.13	Contractor's Resources p.16
---------------	-----------------	-----------------	----------------------	----------------------	-----------------------------	-----------------------	------------------------	----------------------	--------------------------------

Important Safety Instructions



CAUTION: RISK OF PRODUCT DAMAGE

- ✓ Electrostatic Discharge (ESD): ESD can damage product(s). Personal grounding equipment must be worn during all installation or servicing of the unit.
- ✓ Do not touch individual electrical components as this can cause ESD and affect product Performance.
- ✓ Do not stretch or use cable sets that are too short or are of insufficient length.
- ✓ Do not tamper with contacts.
- ✓ Do not modify the product.
- ✓ Do not change or alter internal wiring or installation circuitry.
- ✓ Do not use product for anything other than its intended use.
- ✓ If installing latching springs: ensure that the springs are fully engaged prior to moving to next connection.
- ✓ If installing wiring systems: Materials and component parts of a manufacturing wiring system as described in Article 604 of the National Electric Code and Underwriters Laboratories Standard for Safety #183 **MUST BE** installed.

Please see product specific installation instructions for additional warnings or any applicable FCC or other regulatory statements.

Failure to follow any of these instructions could void product warranties. For a complete listing of product Terms and Conditions, please visit www.acuitybrands.com.

Our Brands

Indoor/Outdoor

Lithonia Lighting
Carandini
Holophane
RELOC
Light Concepts

Indoor Lighting

Gotham
Mark Architectural Lighting
Peerless
Renaissance Lighting
Winona Lighting

Outdoor Lighting

American Electric Lighting
Antique Street Lamps
Hydrel
Tersen

Controls

DARK TO LIGHT
LC&D
ROAM
Sensor Switch
Synergy

Daylighting

SunOptics

Acuity Brands Lighting, Inc. assumes no responsibility for claims arising out of improper or careless installation or handling of its products.

ABL LED General Warnings, Form No. 503.203

© 2021, 2010, 2016 Acuity Brands Lighting, Inc. All rights reserved. 12/01/10

Safety p.1	Overview p.6	Mounting p.7	Prep Fixtures p.8	Open Fixtures p.9	Mount First Fixture p.10	Join Sections p.11	Close Fixtures p.12	Supplemental p.13	Contractor's Resources p.16
---------------	-----------------	-----------------	----------------------	----------------------	-----------------------------	-----------------------	------------------------	----------------------	--------------------------------

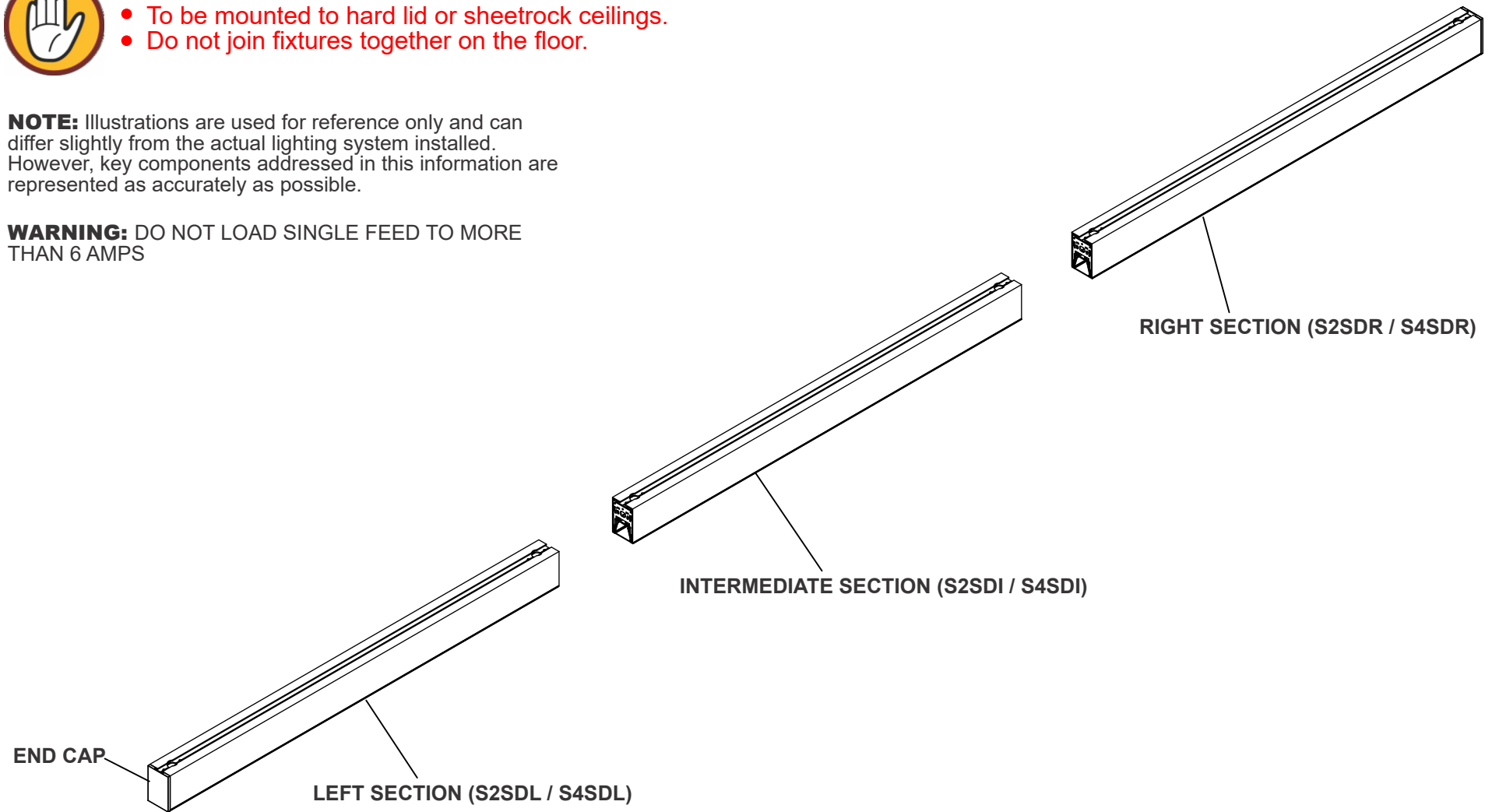
A. Overview - Fixture



- To be mounted to hard lid or sheetrock ceilings.
- Do not join fixtures together on the floor.

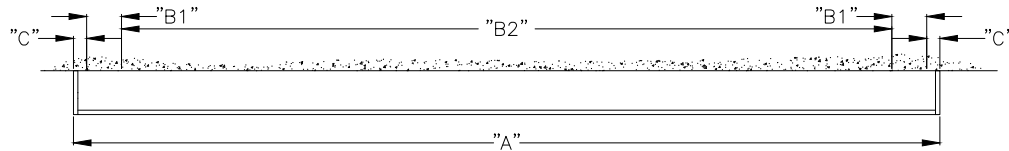
NOTE: Illustrations are used for reference only and can differ slightly from the actual lighting system installed. However, key components addressed in this information are represented as accurately as possible.

WARNING: DO NOT LOAD SINGLE FEED TO MORE THAN 6 AMPS



B. Mounting

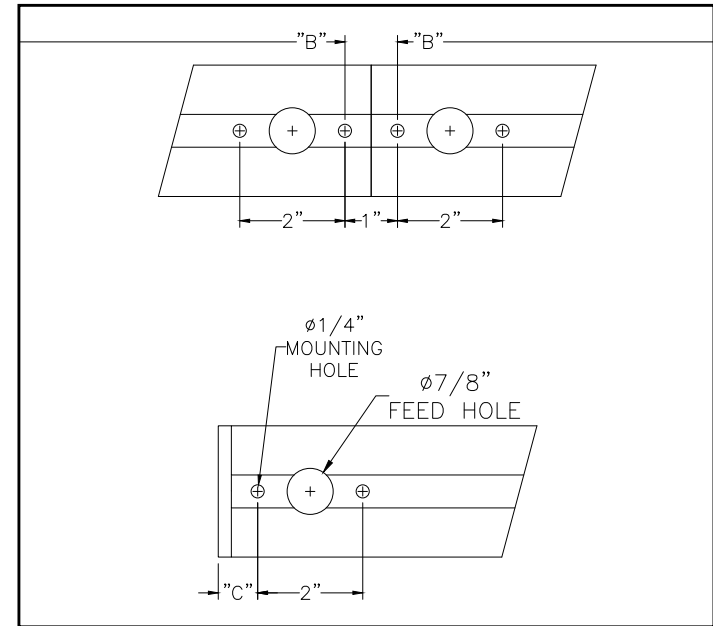
Individual Fixture Configurations



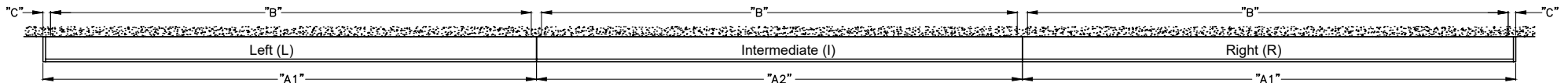
INDIVIDUAL FIXTURES			
"A" O.A.L.	"B1" O.C.	"B2" O.C.	"C" FROM END
2'- 0 1/2"	2"	1'- 2"	3 1/4"
3'- 0 1/2"	2"	2'- 2"	3 1/4"
4'- 0 1/2"	2"	3'- 2"	3 1/4"
5'- 0 1/2"	2"	4'- 2"	3 1/4"
6'- 0 1/2"	2"	5'- 2"	3 1/4"
7'- 0 1/2"	2"	6'- 2"	3 1/4"
8'- 0 1/2"	2"	7'- 2"	3 1/4"

O.A.L - Overall length
O.C. - Distance from center to center

B1 - Distance between two mounting holes on one side.
B2 - Distance between mounting holes on opposite sides (nearest holes).
B - Distance between mounting holes on opposite sides (outermost holes).



Run Configurations



RUN LAYOUT (MOUNTING)				
LENGTH	"A1" O.A.L.	"A2" O.A.L.	"B" O.C.	"C" FROM END
4FT	4'- 0 1/4"	4'- 0"	3'- 6"	3 1/4"
5FT	5'- 0 1/4"	5'- 0"	4'- 6"	3 1/4"
6FT	6'- 0 1/4"	6'- 0"	5'- 6"	3 1/4"
7FT	7'- 0 1/4"	7'- 0"	6'- 6"	3 1/4"
8FT	8'- 0 1/4"	8'- 0"	7'- 6"	3 1/4"

C. Prep Fixtures and Parts

1

FIXTURES MUST BE INSTALLED IN ORDER AS SHOWN ON RECORD DRAWINGS.

Unique Run/Pattern # Section #

Mark as Field → F-08-32FT

ID: 2.001

A427-40250-0-LLA-1.001 ← Order #

LEFT	INTERMEDIATE	INTERMEDIATE	RIGHT
2.000	2.001	2.001	2.002

- Labels are located on the carton, on the fixture, and on the lens.
- Each section is identified by an ID#.
- Section position starting with X.000 for the first fixture.
- Same fixture configuration can carry identical ID# and are interchangeable.
- Individual fixtures have whole number Y.
- For replacement parts, provide ID# and order #.

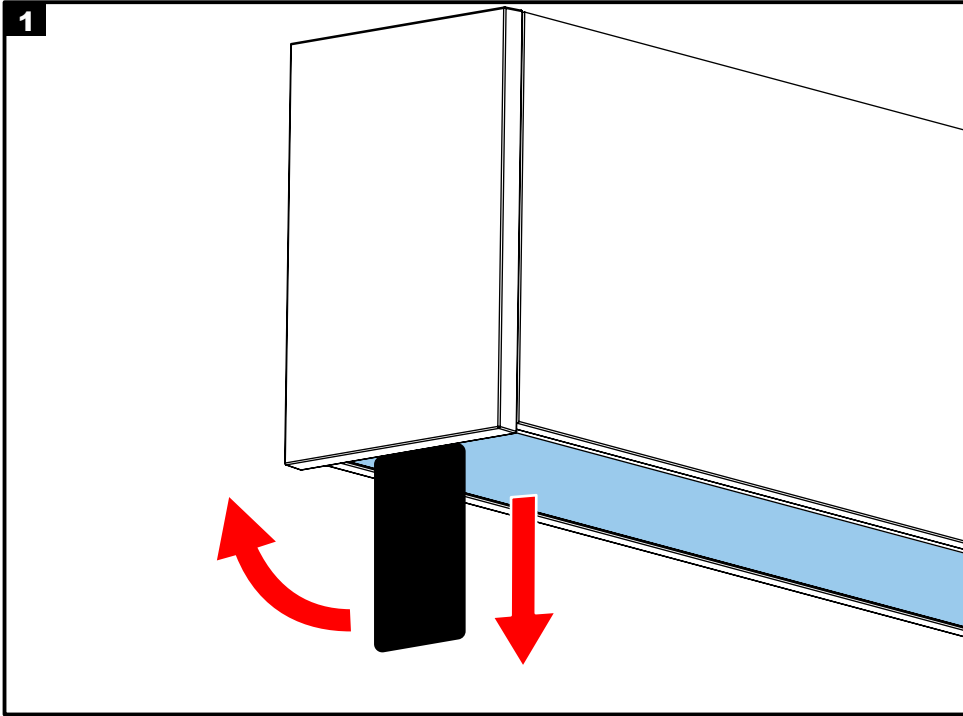
2

Mounting Hardware

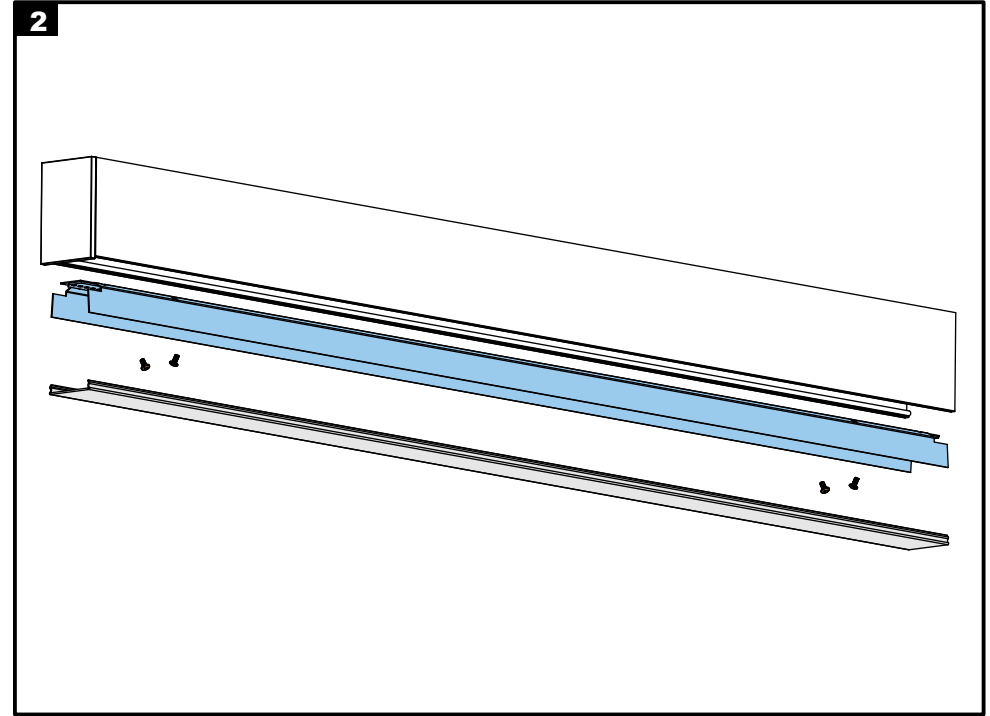
1/4"-20 Lag Bolt
(by others)

Flex Conduit
(by others)

D. Opening Fixtures



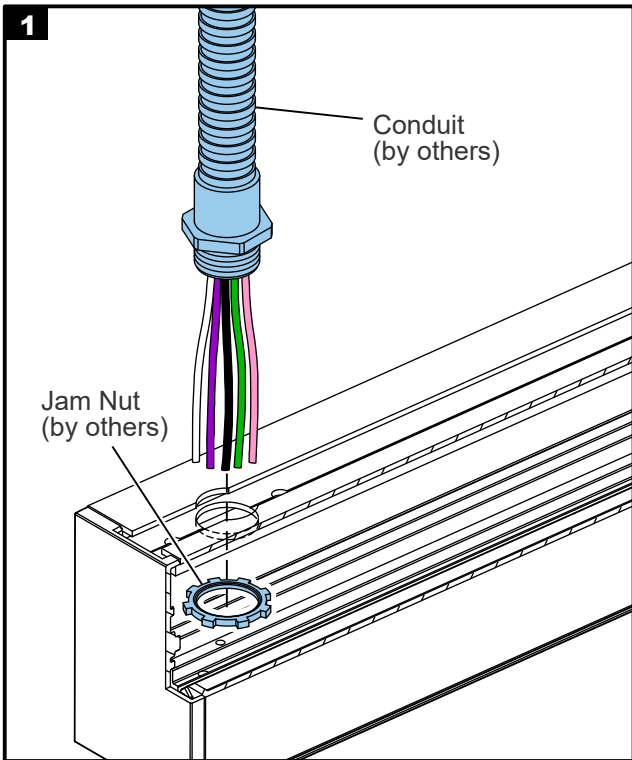
Remove lens using appropriate tool (plastic putty knife recommended, or a similar tool) by placing tool between cast end and lens. Do not use sharp metal objects as a removal tool. Slowly pry lens away from fixture.



To remove the reflector, unscrew four #8 screws.

E. Mount Fixtures

 All power connections should be installed according to local/national codes by a Certified Electrician.



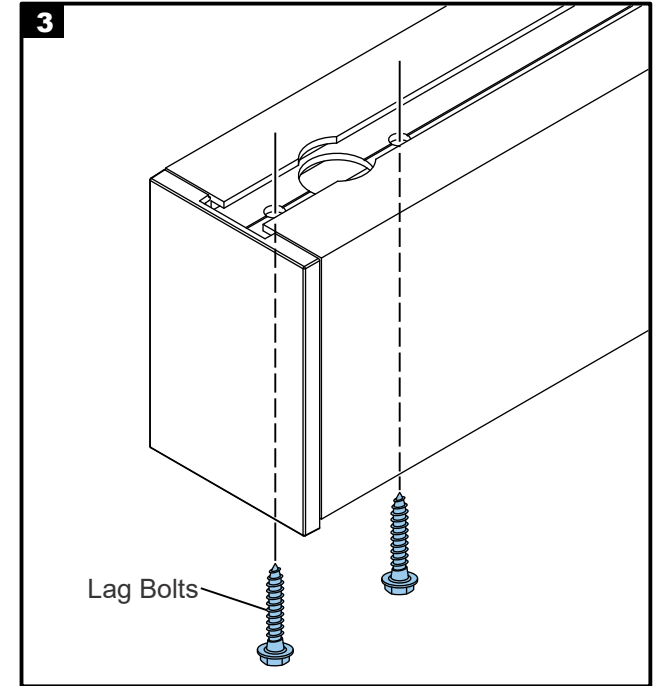
Pull conduit from the ceiling to the first section and secure to the housing using a jam nut (Supplied by others).

Diagram 2 shows the interior of the fixture housing where the wires from the conduit are being connected to the fixture's internal wiring terminals. The wires are color-coded according to the table below.

Option	Fixture Wire Color	
	Color	Function
All	Black	Hot
	White	Neutral
	Green	Ground
ZT	Purple	Dimming
	Pink	Dimming
ECOD/ECOD5	Purple	Dimming
	Purple / White	Dimming
DALI	Orange	Dimming
	Cap Pink	Dimming
NODIM, ECOD2 NLIGHT, NLTAIR2	Cap Purple	Not Used
	Cap Pink	Not Used

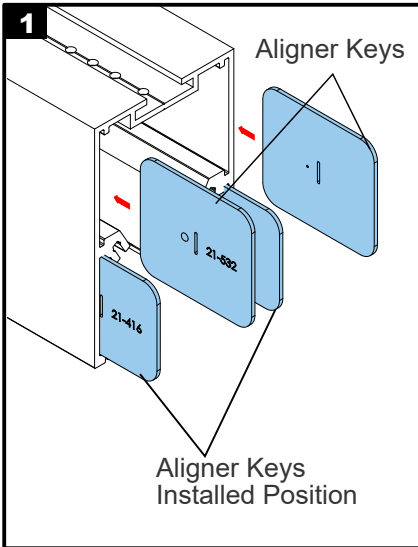
Make wiring connections.

NOTE: Emergency feed uses the exact same feed kit and cord.

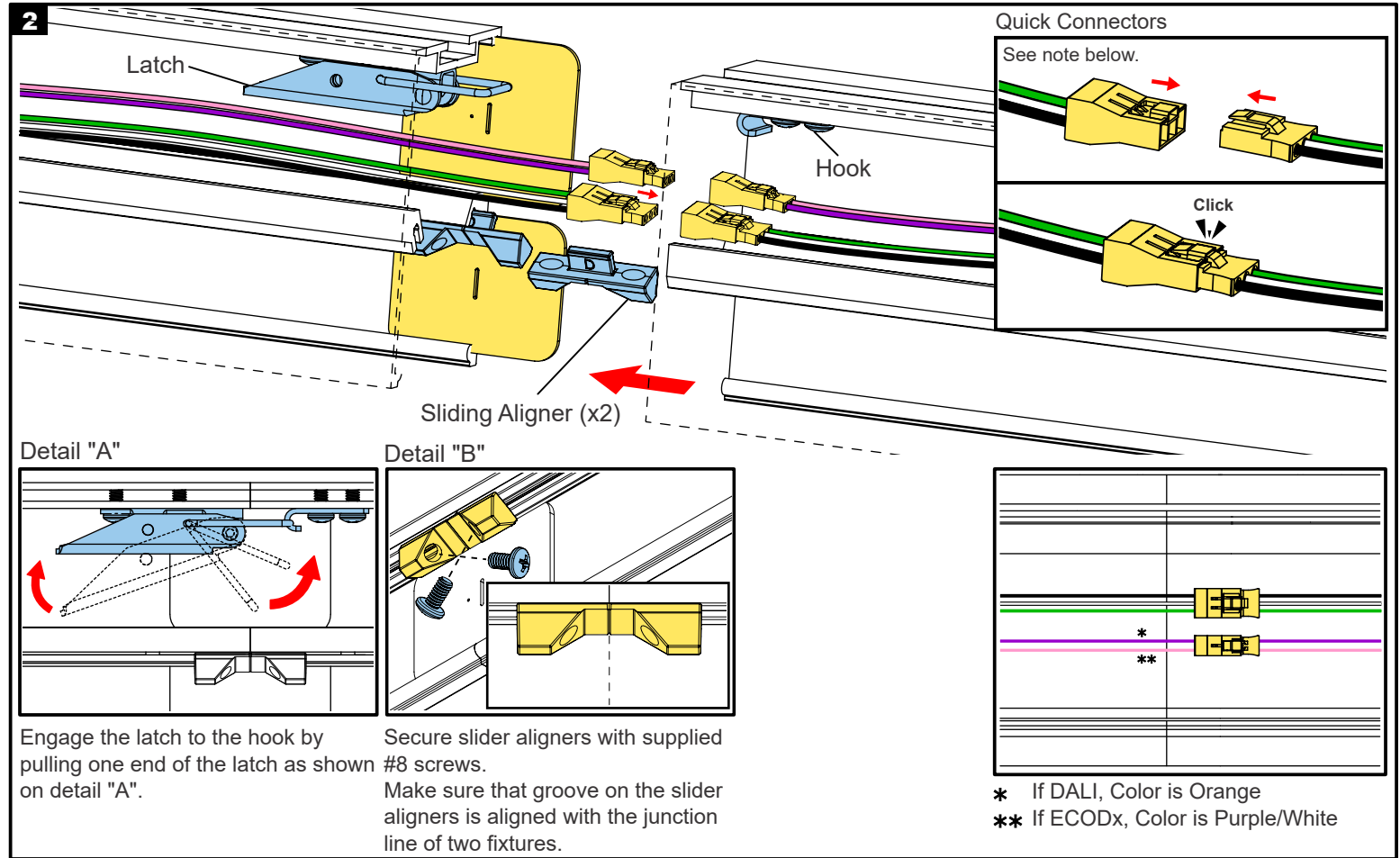


Secure individual or beginning section to the ceiling with 1/4"-20 lag bolts (by others) on both ends.

F. Join Sections (NOTE: Joining hardware parts provided in a separate red bag.)



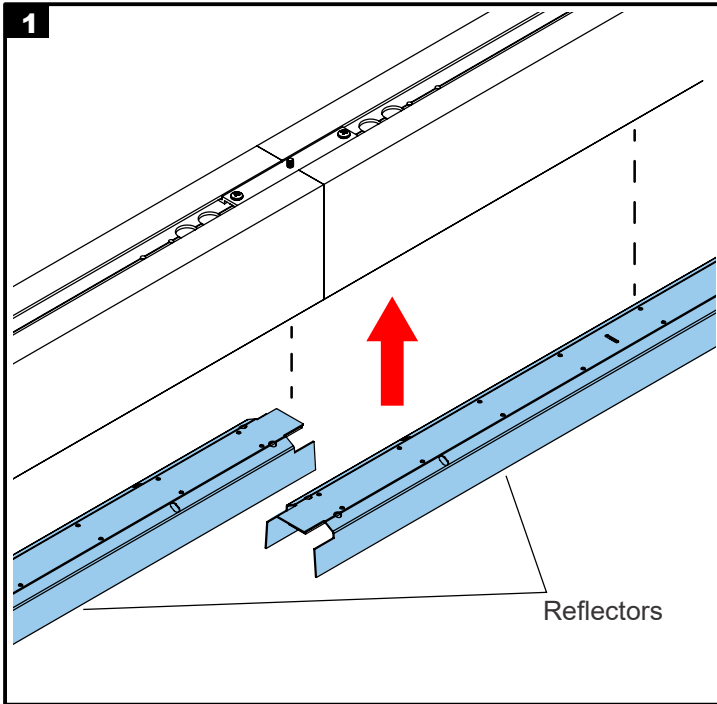
Install (4x) aligner keys into one end of the run. The bump on the aligner key should face the extrusion. Half of the aligner key should be exposed to insert into the next section.



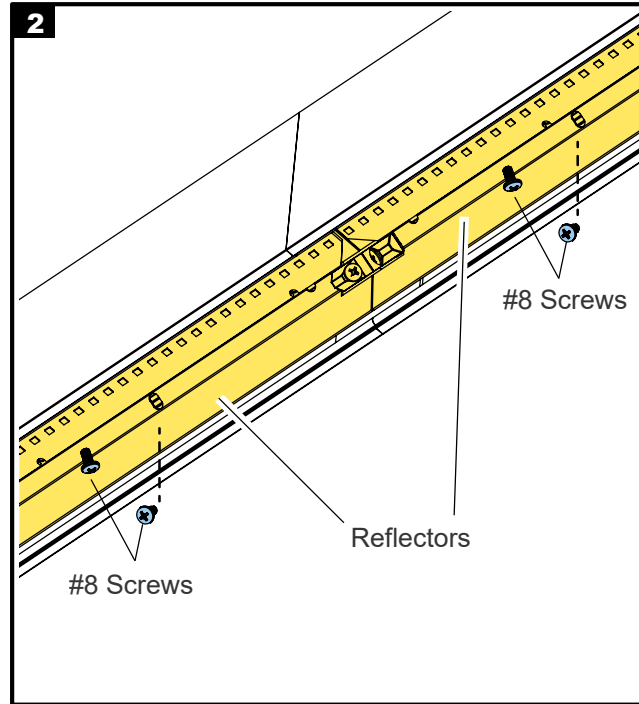
- Install (2x) slider aligners by sliding them into the appropriate slot on one end of the run.
- Slide joining fixture while keeping aligner keys and sliding aligners aligned to the slots from opposite fixture body.
- Fully join sections together (Detail "A" and Detail "B").

NOTE: Pull wires into the next section before fully joining fixture together. **From each quick connector provided on the intermediate ends of the fixture remove and discard the half (male or female) to which no wires are connected.** Make electrical connections with quick connectors.

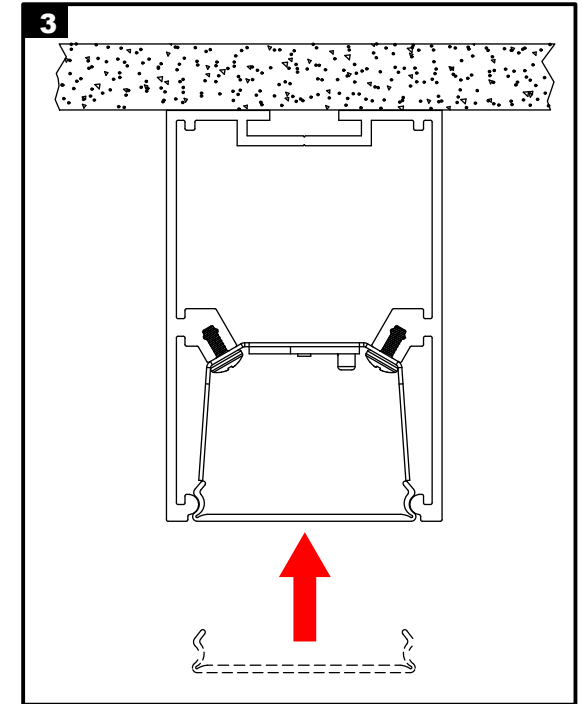
G. Close Fixtures



Insert reflectors into the housings.



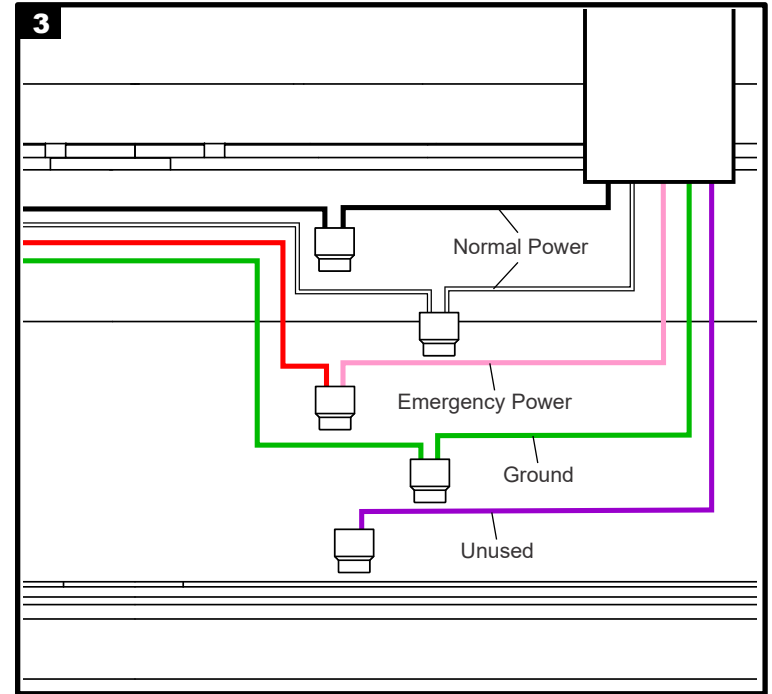
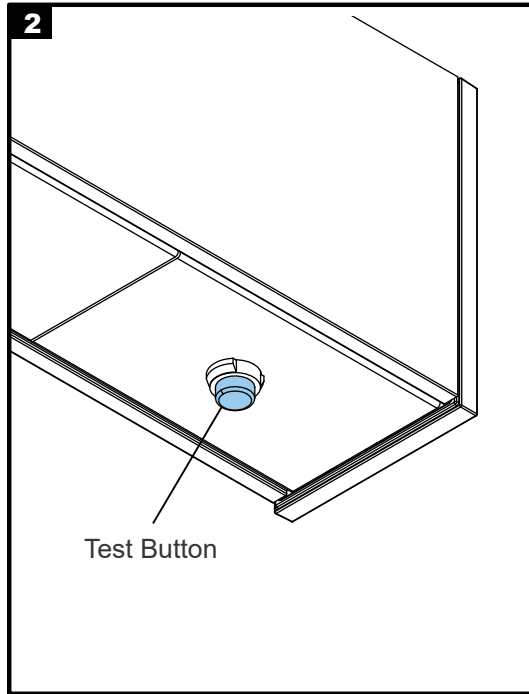
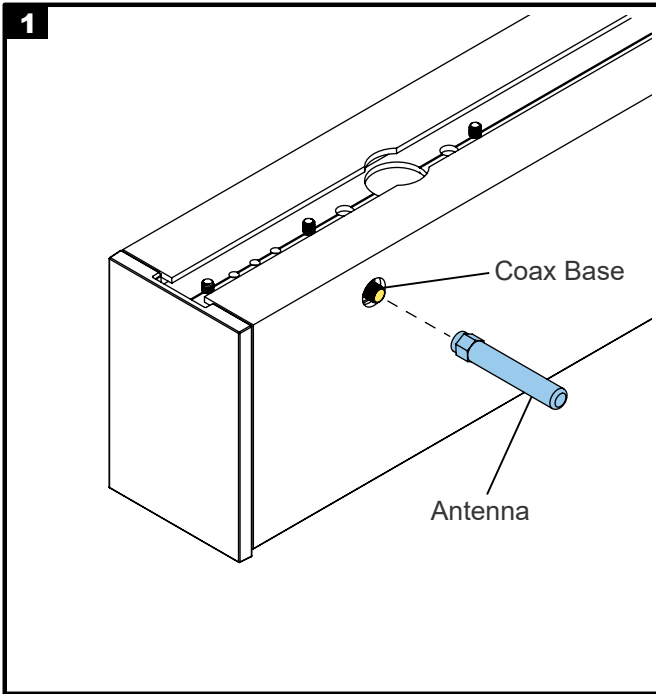
Secure reflectors with #8 screws.



Gently push lens and snap it in into the housing.

NOTE: Use two people when working with fixtures greater than 4 feet.

H. Supplemental



nLight AIR

NOTE:

Install antenna on coax cable.

Battery Pack/Test Switch (E10WLCP):

- a. If battery pack option is selected (E10WLCP), then an un-switched normal hot is required for power and sensing.
- b. Standard battery drop is on the right side of the section with the battery. See image above for location of the test button.

Wires used to power EMPACK.

NOTE: Cap the unused wire at the junction box.

H. Supplemental Continuous lens

1

Continuous Lens Joining

CONTINUOUS LENS TABLE	
Fixture run length	Supplied continuous lens length
2' - 8'	9'
9' - 16'	17'
17' - 24'	25'
25' - 32'	33'
33' - 40'	41'
40' +	41' + as requested per run

Snap the joiner into the extrusion and move it to the previously installed continuous lens. Tuck a new continuous lens into the joiner cavity and continue with the installation.

Example: 65' supplied as: 41' and 25' lengths. For run longer than 40', use a joiner.

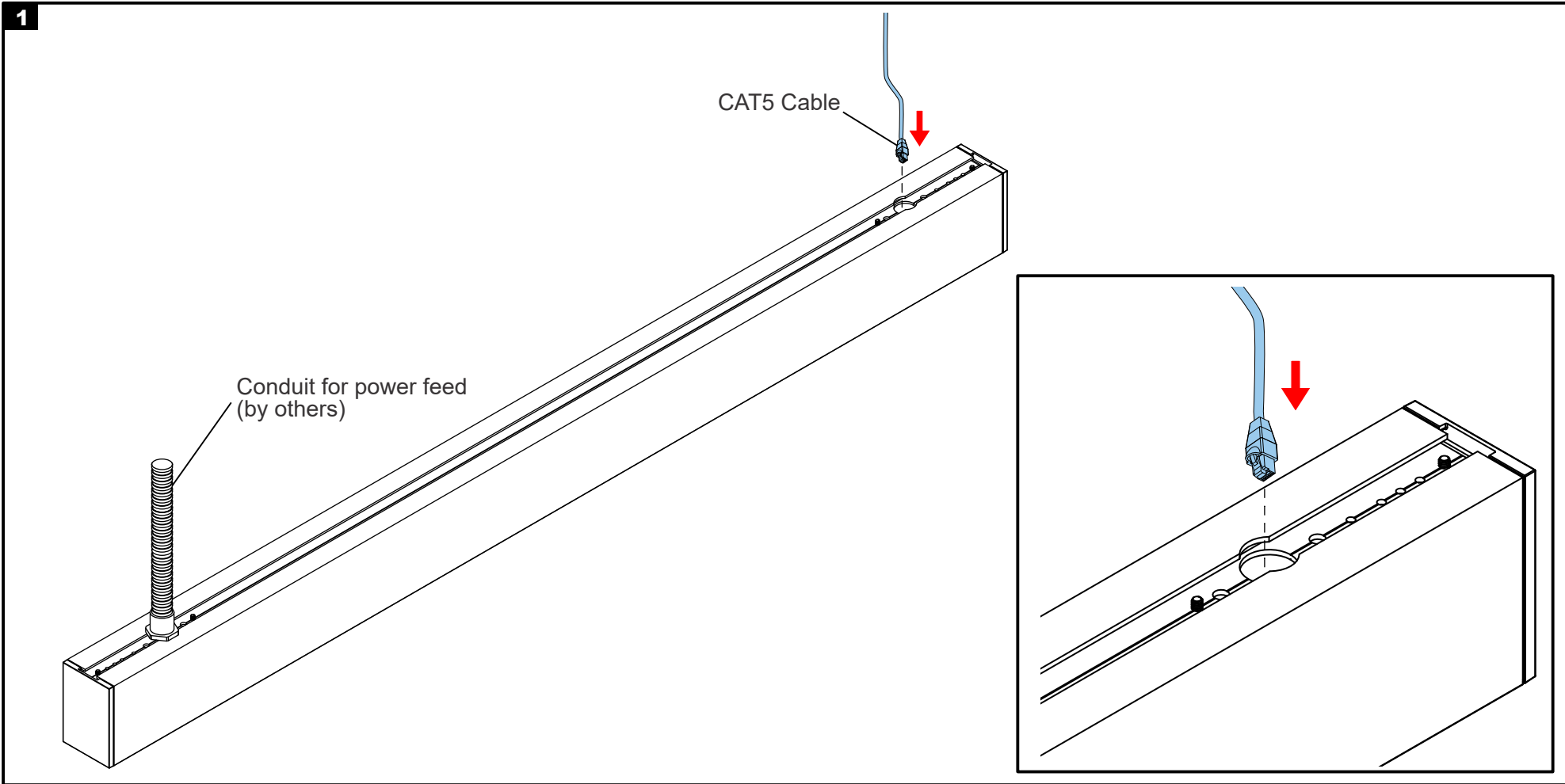
Detail "Left (L)"

Lens orientation

Detail "Right (R)"

- a. Begin lens install per "Left (L)" detail.
 - b. Snap lens into fixture housing making sure to follow "Lens Orientation" detail. Push left side of lens end approximately 1/8" into end cap.
 - c. Unroll lens as you make your way through the run.
 - d. Follow "Right (R)" detail for lens cutting. Cut lens approximately 1/8" longer than last section housing and tuck in right lens end into end cap cavity.
- NOTE:** Use at least two people when installing a continuous lens.
- NOTE:** Continuous lens supplied oversized for any given run length. Contractor to make final length cut at the time of installation.
- NOTE:** Continuous lens should stay at room temperature for a few hours before installation.

I. Supplemental NLIGHT



For nLight option (NLIGHT): Pull CAT5 cable through the feed opposite to the power feed and connect it to the nLight device within the fixture.



J. Contractor's Resources

Check out helpful programs, tools, installation videos and more.

