


SLOT PSW LED IMPORTANT SAFETY INSTRUCTIONS


**READ AND FOLLOW ALL SAFETY INSTRUCTIONS!
SAVE THESE INSTRUCTIONS AND DELIVER TO OWNER AFTER INSTALLATION**

- To reduce the risk of death, personal injury or property damage from fire, electric shock, falling parts, cuts/abrasions, and other hazards please read all warnings and instructions included with and on the fixture box and all fixture labels.
- Before installing, servicing, or performing routine maintenance upon this equipment, follow these general precautions.
- Installation and service of luminaires should be performed by a **qualified licensed electrician**.
- Maintenance of the luminaires should be performed by person(s) familiar with the luminaires' construction and operation and any hazards involved. Regular fixture maintenance programs are recommended.
- It will occasionally be necessary to clean the outside of the refractor/lens. Frequency of cleaning will depend on ambient dirt level and minimum light output which is acceptable to user. Refractor/lens should be washed in a solution of warm water and any mild, non-abrasive household detergent, rinsed with clean water and wiped dry. Should optical assembly become dirty on the inside, wipe refractor/lens and clean in above manner, replacing damaged gaskets as necessary.
- **DO NOT INSTALL DAMAGED PRODUCT!** This luminaire has been properly packed so that no parts should have been damaged during transit. Inspect to confirm. Any part damaged or broken during or after assembly should be replaced.
- Recycle: For information on how to recycle LED electronic products, please visit www.epa.gov.
- These instructions do not purport to cover all details or variations in equipment nor to provide every possible contingency to meet in connection with installation, operation, or maintenance. Should further information be desired or should particular problems arise which are not covered sufficiently for the purchaser's or owner's purposes, this matter should be referred to Acuity Brands Lighting, Inc.




WARNING
RISK OF ELECTRIC SHOCK

- ✓ Disconnect or turn off power before installation or servicing.
- ✓ Verify that supply voltage is correct by comparing it with the luminaire label information.
- ✓ Make all electrical and grounded connections in accordance with the National Electrical Code (NEC) and any applicable local code requirements.
- ✓ All wiring connections should be capped with UL approved recognized wire connectors.




WARNING
RISK OF BURN

- ✓ Allow lamp/fixture to cool before handling. Do not touch enclosure or light source.
- ✓ Do not exceed maximum wattage marked on luminaire label.
- ✓ Follow all manufacturer's warnings, recommendations and restrictions for: driver type, burning position, mounting locations/methods, replacement and recycling.



CAUTION
RISK OF INJURY

- ✓ Wear gloves and safety glasses at all times when removing luminaire from carton, installing, servicing or performing maintenance.
- ✓ Avoid direct eye exposure to the light source while it is on.



CAUTION
RISK OF FIRE

- ✓ Keep combustible and other materials that can burn, away from lamp/lens.
- ✓ Do not operate in close proximity to persons, combustible materials or substances affected by heat or drying.

SLOT PSW LED IMPORTANT SAFETY INSTRUCTIONS



CAUTION: RISK OF PRODUCT DAMAGE

- ✓ Never connect components under load.
- ✓ Do not mount or support these fixtures in a manner that can cut the outer jacket or damage wire insulation.
- ✓ Controls for dimming, auto-sensing, or remote control of a luminaire that are not factory-wired to the luminaire must be checked for compatibility with the luminaire prior to installation. LED fixtures must be powered directly off a switched circuit.
- ✓ Unless individual product specifications deem otherwise: Do not restrict fixture ventilation. Allow for some volume of airspace around fixture. Avoid covering LED fixtures with insulation, foam, or other material that will prevent convection or conduction cooling.
- ✓ Unless individual product specifications deem otherwise: Do not exceed fixtures maximum ambient temperature.
- ✓ Only use fixture in its intended location.
- ✓ LED products are Polarity Sensitive. Ensure proper Polarity before installation.
- ✓ Electrostatic Discharge (ESD): ESD can damage LED fixtures. Personal grounding equipment must be worn during all installation or servicing of the unit.
- ✓ Do not touch individual electrical components as this can cause ESD, shorten lamp life, or alter performance.
- ✓ Some components inside the fixture may not be serviceable. In the unlikely event your unit may require service, stop using the unit immediately and contact an ABL representative for assistance.
- ✓ Always read the fixtures complete installation instructions prior to installation for any additional fixture specific warnings.
- ✓ Always ensure that the electrical distribution system is up to NEC (and any applicable local code) requirements.
- ✓ Verify that power distribution system has proper grounding. Lack of proper earth ground can lead to fixture failure and may void warranty.

Choose either Part 15 OR Part 18 and move to Page 3 Installation Instructions under Delivery. Lithonia Outdoor will always use Part 15. All luminaires that contain electronic devices that generate frequencies above 9kHz from any component within the luminaire comply with Part 15 of the FCC Rules. Operation is subject to the following two conditions:

- (1) This device may not cause harmful interference
- (2) This device must accept any interference received, including interference that may cause undesired operation

This device complies with Part 18 of the FCC Rules but may cause interference with cordless and cell phones, radios, televisions, and other electronic devices. To correct the problem, move the device away from the luminaire or plug into a different outlet. This product may cause interference to radio equipment and should not be installed near maritime safety communications equipment or other critical navigation or communications equipment operating between 0.45-30MHz.

Failure to follow any of these instructions could void product warranties. For a complete listing of product Terms and Conditions, please visit www.acuitybrands.com.

Our Brands	Indoor/Outdoor Lithonia Lighting Carandini Holophane RELOC Light Concepts	Indoor Lighting Gotham Mark Architectural Lighting Peerless Renaissance Lighting Winona Lighting	Outdoor Lighting American Electric Lighting Antique Street Lamps Hydrel Tersen	Controls DARK TO LIGHT LC&D ROAM Sensor Switch Synergy	Daylighting SunOptics
------------	--	---	--	---	--------------------------


Acuity Brands Lighting, Inc. assumes no responsibility for claims arising out of improper or careless installation or handling of its products.

ABL LED General Warnings, Form No. 503.203

© 2010, 2016 Acuity Brands Lighting, Inc. All rights reserved. 12/01/10


**READ AND FOLLOW ALL SAFETY INSTRUCTIONS!
SAVE THESE INSTRUCTIONS AND DELIVER TO OWNER AFTER INSTALLATION**

- To reduce the risk of death, personal injury or property damage from fire, electric shock, falling parts, cuts/abrasions, and other hazards please read all warnings and instructions included with and on the fixture box and all fixture labels.
- Before installing, servicing, or performing routine maintenance upon this equipment, follow these general precautions.
- Installation and service should be performed by a **qualified licensed electrician**.
- Maintenance should be performed by qualified person(s) familiar with the products' construction and operation and any hazards involved. Regular maintenance programs are recommended.
- **DO NOT INSTALL DAMAGED PRODUCT!** This product has been properly packed so that no parts should have been damaged during transit. Inspect to confirm. Any part damaged or broken during or after assembly should be replaced.
- These instructions do not purport to cover all details or variations in equipment nor to provide every possible contingency to meet in connection with installation, operation, or maintenance. Should further information be desired or should particular problems arise which are not covered sufficiently for the purchaser's or owner's purposes, this matter should be referred to Acuity Brands Lighting, Inc.




WARNING
RISK OF ELECTRIC SHOCK

- ✓ Disconnect or turn off power before installation or servicing.
- ✓ Verify that supply voltage is correct by comparing it with the product information.
- ✓ Make all electrical and grounded connections in accordance with the National Electrical Code (NEC) and any applicable local code requirements.
- ✓ All wiring connections should be capped with UL approved recognized wire connectors.
- ✓ All unused connector openings must be capped.



WARNING
RISK OF BURN or FIRE

- ✓ Do not exceed maximum wattage, ratings, or published operating conditions of product.
- ✓ Do not overload.
- ✓ Follow all manufacturer's warnings, recommendations and restrictions to ensure proper operation of product.



CAUTION
RISK OF INJURY

- ✓ Wear gloves and safety glasses at all times when installing, servicing or performing maintenance.

Always read the fixtures complete installation instructions prior to installation for any additional fixture specific warnings.

Failure to follow any of these instructions could void product warranties. For a complete listing of product Terms and Conditions, please visit www.acuitybrands.com.

<p>Our Brands</p> <ul style="list-style-type: none"> Indoor/Outdoor Lithonia Lighting Carandini Holophane RELOC Light Concepts 	<ul style="list-style-type: none"> Indoor Lighting Gotham Mark Architectural Lighting Peerless Renaissance Lighting Winona Lighting 	<ul style="list-style-type: none"> Outdoor Lighting American Electric Lighting Antique Street Lamps Hydrel Tersen 	<ul style="list-style-type: none"> Controls DARK TO LIGHT LC&D ROAM Sensor Switch Synergy 	<ul style="list-style-type: none"> Daylighting SunOptics
---	---	--	---	--

Acuity Brands Lighting, Inc. assumes no responsibility for claims arising out of improper or careless installation or handling of its products.

ABL LED General Warnings, Form No. 503.203

© 2010 Acuity Brands Lighting, Inc. All rights reserved. 12/01/10



CAUTION: RISK OF PRODUCT DAMAGE

- ✓ Electrostatic Discharge (ESD): ESD can damage product(s). Personal grounding equipment must be worn during all installation or servicing of the unit.
- ✓ Do not touch individual electrical components as this can cause ESD and affect product performance.
- ✓ Do not stretch or use cable sets that are too short or are of insufficient length.
- ✓ Do not tamper with contacts.
- ✓ Do not modify the product.
- ✓ Do not change or alter internal wiring or installation circuitry.
- ✓ Do not use product for anything other than its intended use.
- ✓ If installing latching springs: ensure that the springs are fully engaged prior to moving to next connection.
- ✓ If installing wiring systems: Materials and component parts of a manufacturing wiring system as described in Article 604 of the National Electric Code and Underwriters Laboratories Standard for Safety #183 **MUST BE** installed.

Please see product specific installation instructions for additional warnings or any applicable FCC or other regulatory statements.

Failure to follow any of these instructions could void product warranties. For a complete listing of product Terms and Conditions, please visit www.acuitybrands.com.

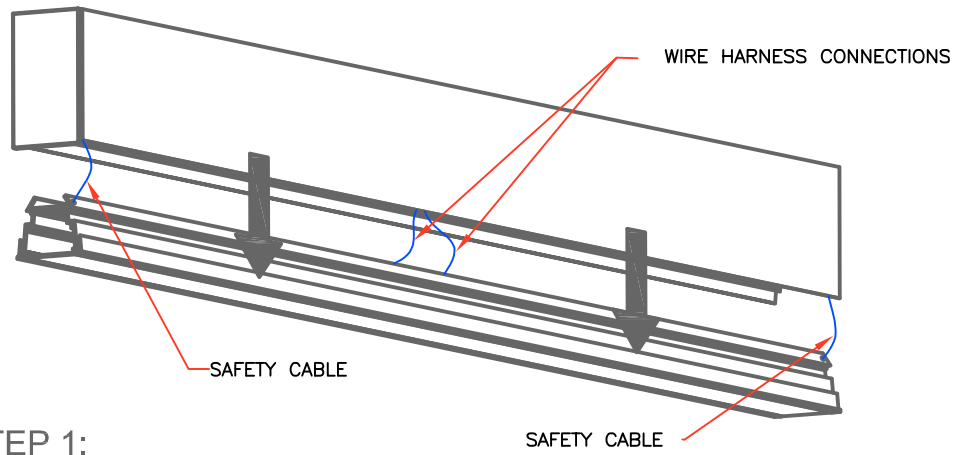
Our Brands	Indoor/Outdoor Lithonia Lighting Carandini Holophane RELOC Light Concepts	Indoor Lighting Gotham Mark Architectural Lighting Peerless Renaissance Lighting Winona Lighting	Outdoor Lighting American Electric Lighting Antique Street Lamps Hydrel Tersen	Controls DARK TO LIGHT LC&D ROAM Sensor Switch SynergySwitch	Daylighting SunOptics
-------------------	--	---	--	---	--------------------------

Acuity Brands Lighting, Inc. assumes no responsibility for claims arising out of improper or careless installation or handling of its products.

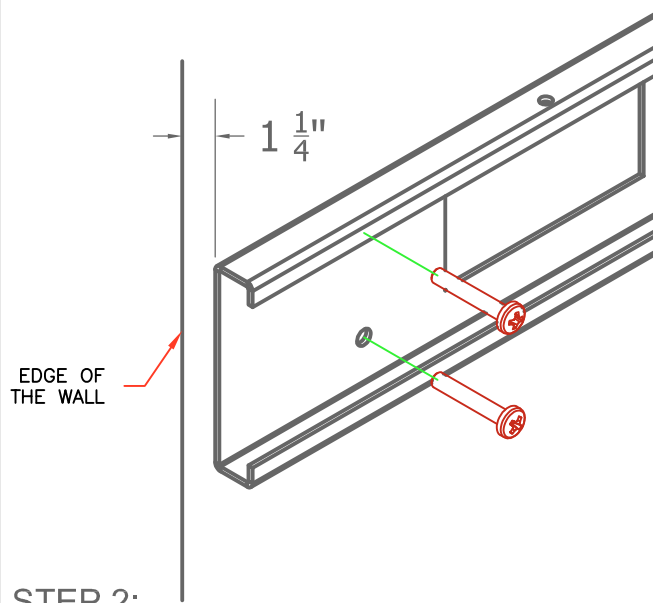
ABL LED General Warnings, Form No. 503.203

© 2010 Acuity Brands Lighting, Inc. All rights reserved. 12/01/10

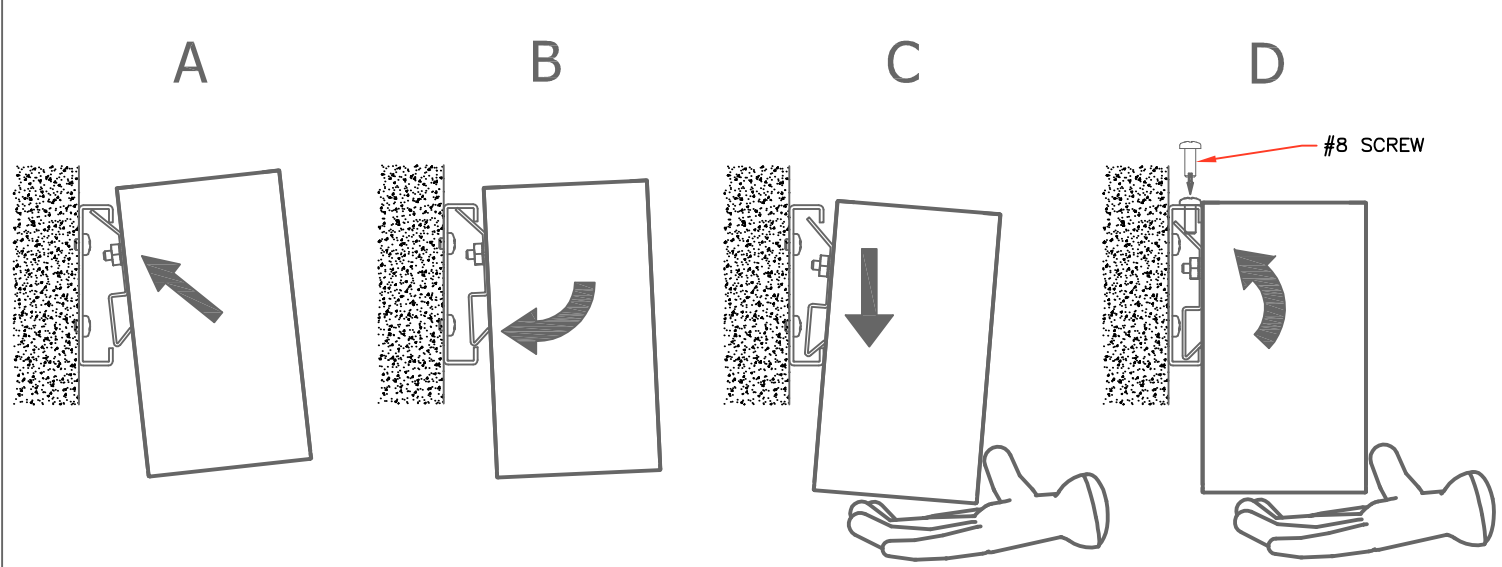
S2L/S4L BID WALL INSTALLATION INSTRUCTION
FOR SERIES: S2LWID, S4LWID



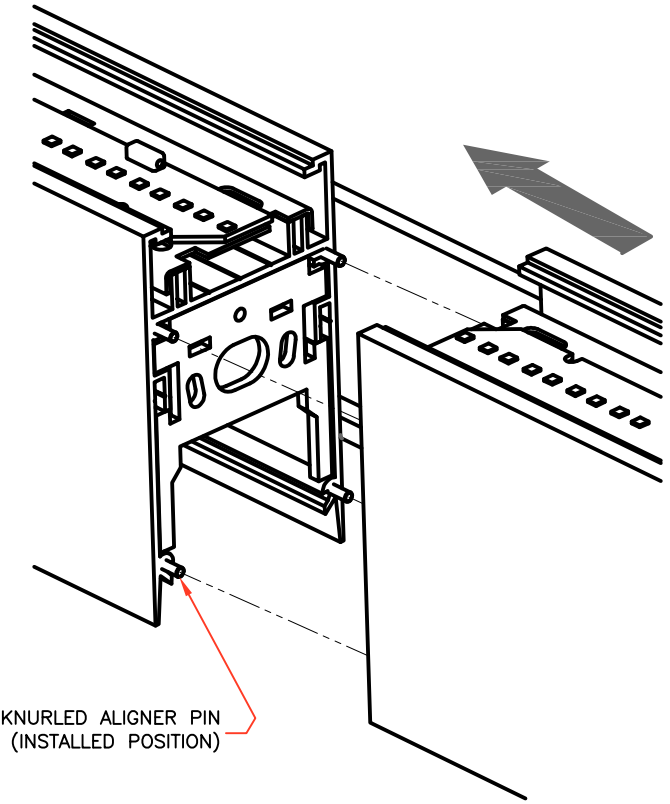
STEP 1:
 REMOVE INNER FIXTURE LIGHT BODY COMPLETELY BY DETACHING SAFETY CABLES AND WIRING CONNECTIONS FROM LINEAR BOARDS



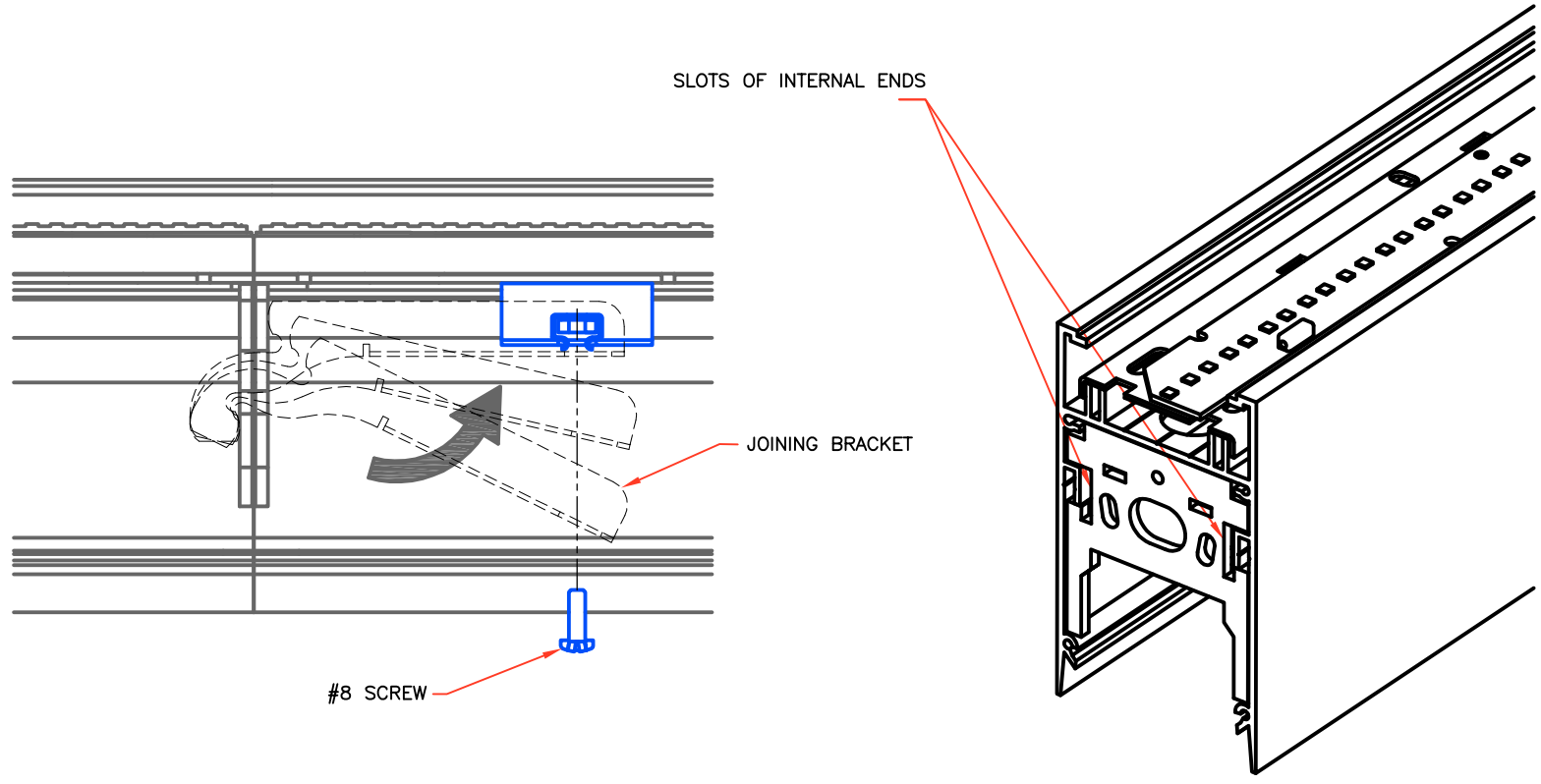
STEP 2:
 SECURE MOUNTING RAILS FOR FIXTURE PER PATTERN/ROW LAYOUT (HARDWARE BY OTHERS).
 NOTE: LEAVE APPROX. 1 1/4" SPACE FROM EDGE OF THE WALL TO MOUNT RAIL FOR BOR.
 NOTE: CONTRACTOR SHOULD PROVIDE BLOCKING BEHIND WALL TO ADEQUATELY SUPPORT FIXTURE WEIGHT.



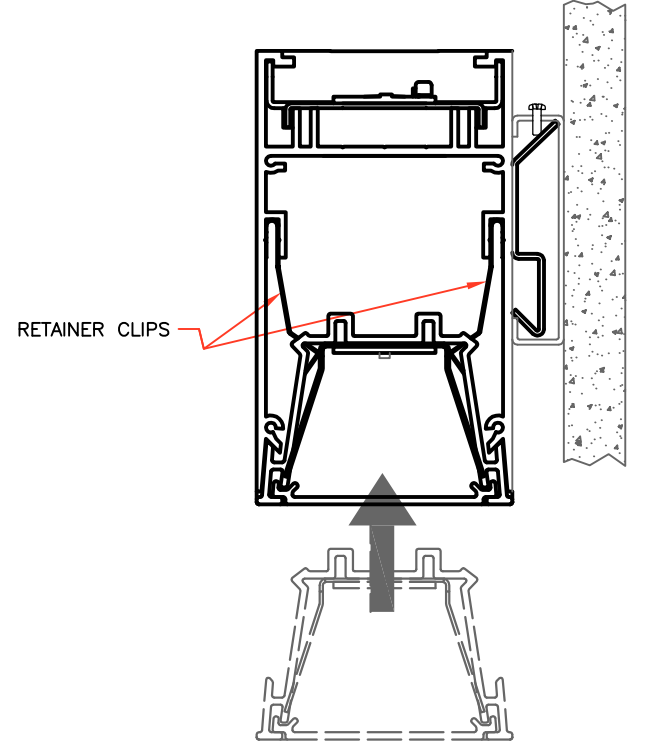
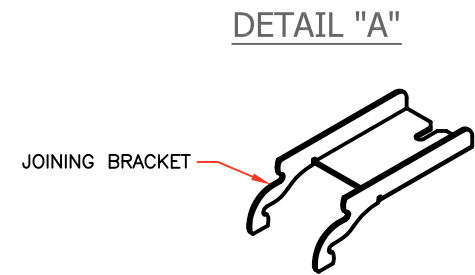
STEP 3:
 A. SLIDE TOP FLANGE OF MOUNTING BRACKET UNDERNEATH TOP FLANGE OF MOUNTING RAIL
 B. ROTATE FIXTURE TOWARD WALL UNTIL BOTTOM FLANGE OF THE MOUNTING BRACKET PASSES BOTTOM FLANGE OF MOUNTING RAIL.
 C. WHILE SUPPORTING FIXTURE, REST BOTTOM FLANGE OF THE MOUNTING BRACKET ON BOTTOM FLANGE OF MOUNTING RAIL.
 D. ROTATE FIXTURE UP TOWARD WALL AND SECURE AT MOUNTING POINTS WITH #8 SCREW PROVIDED.



STEP 4: (FOR MULTI-FIXTURE RUN)
 1. REPEAT STEPS 1,2 & 3 FROM MOUNTING FIXTURE DETAIL.
 2. SLIDE UNSECURED FIXTURE TOWARD SECURED FIXTURE. MAKE SURE ALIGNER PINS INSERT INTO EXTRUSION GROOVE, LEAVE SMOOTH PORTION EXPOSED TO INSERT IN TO JOINING SECTION OF RUN.
 3. SECURE MOUNTING BRACKETS AT MOUNTING POINTS WITH #8 SCREWS PROVIDED. DO NOT FULLY TIGHTEN.



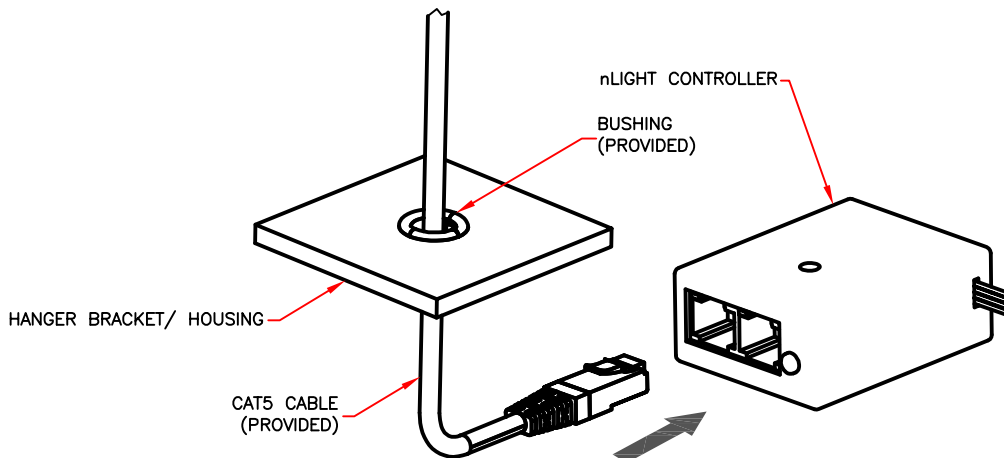
STEP 5: (FOR MULTI-FIXTURE RUN)
 INSERT JOINING BRACKET THROUGH SLOTS AT ENDS OF FIXTURE. PREFER TO DETAIL "A".
 PUSH JOINING BRACKET TOWARDS SUPPORT BRACKET AND ALIGN SLOT IN JOINING BRACKET WITH CAGE NUT. SECURE WITH #8 SCREW PROVIDED. FULLY TIGHTEN #8 SCREW AT BOTH THE JOINING BRACKET AND THEN THE WALL MOUNT BRACKETS.



STEP 6:
 ONCE ALL ELECTRICAL CONNECTIONS ARE MADE BY LICENSED ELECTRICAL CONTRACTOR, REINSTALL INNER FIXTURE LIGHT BODY. REATTACH SAFETY CABLES (2 PER) AND WIRE HARNESSSES TO LINEAR BOARDS. GENTLY PUSH LIGHT BODY WITH LENS INSERTED INTO UPPER HOUSING UNTIL ENGAGED WITH RETAINING CLIPS.

nLIGHT CONTROLLER INSTALLATION INSTRUCTION:

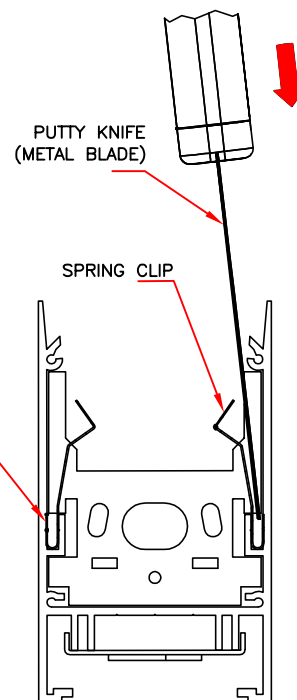
- 1- INSTALL PROVIDED BUSHING ON CAT5 CABLE.
- 2- RUN CAT5 CABLE THROUGH HOUSING OR HANGER BRACKET AND INSTALL BUSHING.
- 3- CONNECT PROVIDED CAT5 CABLE (300V INSULATION) TO INSTALLED nLIGHT CONTROLLER INSIDE FIXTURE.



SPRING CLIP INSTALLATION INSTRUCTION:

- 1- INSERT A CLIP INTO HOUSING CHANNEL.
- 2- PUT PUTTY KNIFE'S EDGE INTO SPRING CLIP SLOT. (ONLY USE PUTTY KNIFE WITH METAL BLADE)
- 3- USE HAMMER TO TAP ON PUTTY KNIFE UNTIL SPRING CLIP IS FULLY SEATED INTO HOUSING CHANNEL.

SOME FIXTURES MAY COME WITH SPARE SPRING CLIPS IN CASE REPLACEMENTS ARE NEEDED.



SPRING CLIP LOCATION FOR DIFFERENT FIXTURE LENGTH

CLIP LOCATIONS



2, 3 AND 4 ft FIXTURE CLIP LOCATIONS (1 PAIR PER FIXTURE)

CLIP LOCATIONS

CLIP LOCATIONS



5,6, 7 AND 8 ft FIXTURE CLIP LOCATIONS (2 PAIRS PER FIXTURE)