

## FEATURES & SPECIFICATIONS

**INTENDED USE** — Typical applications include corridors, lobbies, conference rooms and private offices.

**CONSTRUCTION** — Install from below construction standard.

Additional mounting options available including new construction mounting pan and Chicago plenum.

Ambient operating temperature: 25 °C. High ambient option available.

Light engine and driver are accessible from above or below ceiling.

Passive cooling thermal management

Max ceiling thickness 1-1/4"

**OPTICS** — 3 SDCM; 80 CRI typical

Diffusing lens covers optical chamber

55° cutoff to source and source image

Self-flanged anodized reflectors in specular, semi-specular, or matte diffuse finishes.

**ELECTRICAL** — 120V TRIAC or ELV dimming and Multi-volt 0-10V dimming available.

0-10V dimming fixture requires two (2) additional low-voltage wires to be pulled

70% lumen maintenance at 50,000 hours

**LISTINGS** — Certified to US and Canadian safety standards. Damp location standard (wet location, covered ceiling optional).

**WARRANTY** — 5-year limited warranty. Complete warranty terms located at:

[www.acuitybrands.com/support/customer-support/terms-and-conditions](http://www.acuitybrands.com/support/customer-support/terms-and-conditions)

**Note:** Actual performance may differ as a result of end-user environment and application.

All values are design or typical values, measured under laboratory conditions at 25 °C.

Specifications subject to change without notice.

Catalog Number
Notes
Type

# LDN3

**3" OPEN  
Non-IC**

**New Construction Downlight**



A+ Capable options indicated by this color background.

### ORDERING INFORMATION

Lead times will vary depending on options selected. Consult with your sales representative.

**Example:** LDN3 35/10 L03AR LSS MVOLT UGZ

LDN3		Color temperature		Lumens		Aperture/Trim Color			Finish		
Series	LDN3 3" round	27/	2700K	05	500 lumens	L03	Downlight	AR	Clear	LSS	Semi-specular
		30/	3000K	10	1000 lumens	LW3	Wallwash	WR <sup>2</sup>	White	LD	Matte diffuse
		35/	3500K	15 <sup>1</sup>	1500 lumens			BR <sup>2</sup>	Black	LS	Specular
		40/	4000K								

Voltage		Driver		Options						
MVOLT <sup>3</sup>	Multi-volt	UGZ10	Universal dimming to 10% (0-10V, 120V, Triac, or ELV)	SF <sup>6</sup>	Single Fuse	HAO	High ambient Option (40°C)			
120	120V	UGZ	Universal dimming to 1% (0-10V, 120V, Triac, or ELV)	TRW <sup>7</sup>	White painted flange	WL	Wet location			
277	277V			TRBL <sup>7</sup>	Black painted flange	NCH	New construction housing			
347 <sup>4,5</sup>	347V			NPP16D <sup>4,5,6</sup>	nLight network power/relay pack with 0-10V dimming.					
				NPP16DER <sup>4,5,6</sup>	nLight network power/relay pack with 0-10V dimming. ER controls fixtures on emergency circuit.					

<b>Accessories:</b> Order as separate catalog number.	
PS1055CP FMC	Power Sentry battery pack 10W constant power with flexible metal conduit kit

#### Notes

- 347V is only available with 1500lm. 1500lm not available with HAO option.
- Not available with finishes.
- Multi-volt 120-277V.
- Factory supplied device shipped separately. Field installation required.
- Access required to location of remote mounted device.
- Must specify voltage.
- Not required with WR and BR options.

PHOTOMETRY

Distribution Curve

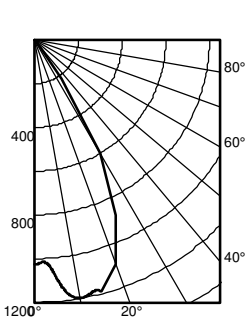
Distribution Data

Output Data

Coefficient of Utilization

Illuminance Data at 30" Above Floor for a Single Luminaire

LDN3CYL 35/10 L03AR LS, input watts: 14.31, delivered lumens: 999.8, LM/W = 69.8, spacing criterion at 0 = 1.05, test no. ISF3400SP

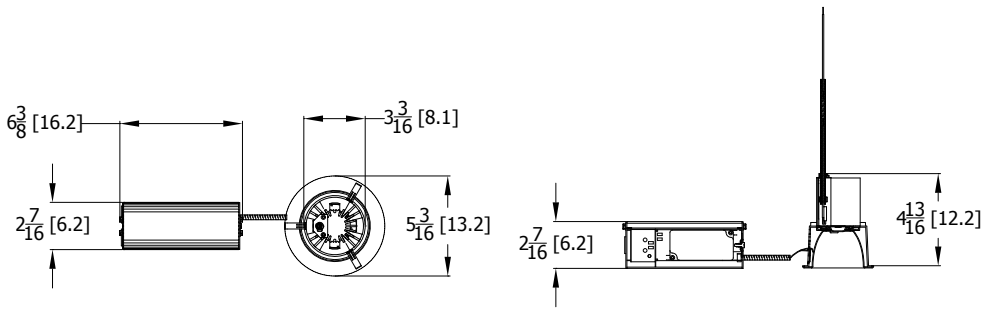


Ave	Lumens	Zone	Lumens	% Lamp	pf	80%			20%			50%		
						pc	pw	50%	30%	10%	50%	30%	10%	50%
0	1026	0° - 30°	827.0	82.9	0	119	119	119	116	116	116	111	111	111
5	1078	0° - 40°	986.0	98.8	1	111	109	107	109	107	105	105	103	102
15	1191	0° - 60°	997.1	99.9	2	104	101	97	103	99	96	99	97	94
25	883	0° - 90°	997.9	100.0	3	98	93	90	97	92	89	94	90	88
35	216	90° - 120°	0.0	0.0	4	92	87	83	91	86	83	89	85	82
45	7	90° - 130°	0.0	0.0	5	87	81	77	86	81	77	84	80	76
55	2	90° - 150°	0.0	0.0	6	82	76	72	81	76	72	80	75	72
65	1	90° - 180°	0.0	0.0	7	77	72	68	77	72	68	76	71	67
75	0	0° - 180°	997.9	*100.0	8	73	68	64	73	68	64	72	67	64
85	0				9	70	64	60	69	64	60	68	63	60
90	0				10	66	61	57	66	60	57	65	60	57

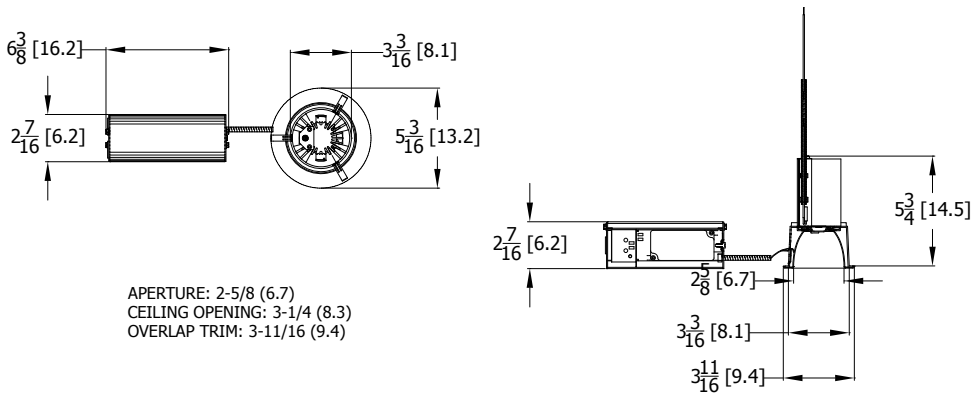
Mounting	Center	50% beam -		10% beam -	
		55.2°	71.3°	55.2°	71.3°
Height	Beam	Diameter	FC	Diameter	FC
8.0	33.9	5.7	17.0	7.9	3.4
10.0	18.2	7.8	9.1	10.8	1.8
12.0	11.4	9.9	5.7	13.6	1.1
14.0	7.8	12.0	3.9	16.5	0.8
16.0	5.6	14.1	2.8	19.4	0.6

WATTAGE CONSUMPTION MATRIX			
Nominal Lumens	Delivered Lumens*	Wattage	Lumens per WATT
500	530	6.27	84.5
1000	1032	14.3	72.2
1500	1491	24.9	60.0

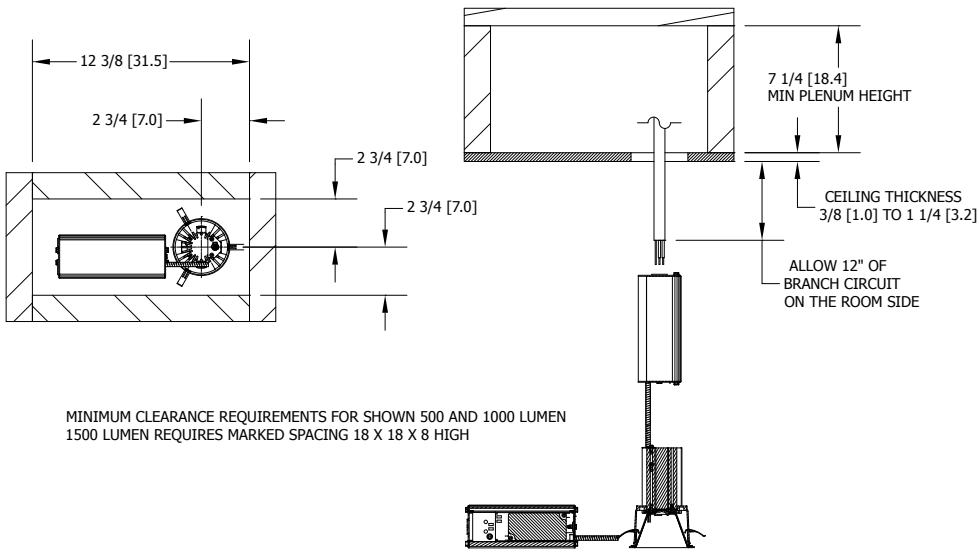
\*3500K Clear LS reflector



APERTURE: 2-5/8 (6.7)  
 CEILING OPENING: 3-1/4 (8.3)  
 OVERLAP TRIM: 3-11/16 (9.4)



APERTURE: 2-5/8 (6.7)  
 CEILING OPENING: 3-1/4 (8.3)  
 OVERLAP TRIM: 3-11/16 (9.4)



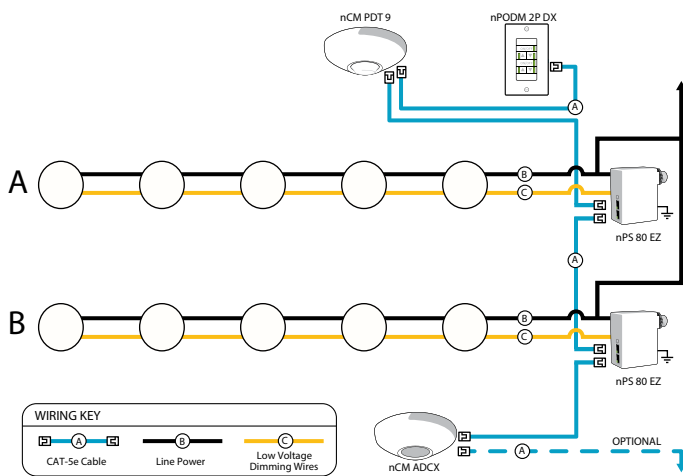
MINIMUM CLEARANCE REQUIREMENTS FOR SHOWN 500 AND 1000 LUMEN  
 1500 LUMEN REQUIRES MARKED SPACING 18 X 18 X 8 HIGH

Notes

- Tested in accordance with IESNA LM-79-08.
- Tested to current IES and NEMA standards under stabilized laboratory conditions.
- CRI: 80 typical.

ADDITIONAL DATA

COMPATIBLE 0-10V AND LINE VOLTAGE DIMMERS		
MANUFACTURER	PART NO.	CONTOL DEVICE DIM CURVE
Synergy®	ISD 400 ELV 120	Logarithmic
	ISD 600 I 120	Logarithmic
	ISD 1000 I 120	Logarithmic
Leviton®	IllumaTech-IPE04	Logarithmic
	IllumaTech-IPI06	Logarithmic
	IllumaTech-IPI10	Logarithmic
	IllumaTech-IPL06-10	Logarithmic
	Sureslide 6633-P 600-watt 3-way	Linear
	Sureslide 6674-P 600-watt single pole	Linear
	Sureslide 6674-P 600-watt 3-way	Linear



nLight® Control Accessories:			
Order as separate catalog number. Visit <a href="http://www.sensorswitch.com/nLight">www.sensorswitch.com/nLight</a> for complete listing of nLight controls.			
<b>WallPod stations</b>	<b>Model number</b>	<b>Occupancy sensors</b>	<b>Model number</b>
On/Off	nPODM [color]	Small motion 360°, ceiling (PIR / dual tech)	nCM 9 / nCM PDT 9
On/Off & Raise/Lower	nPODM DX [color]	Large motion 360°, ceiling (PIR / dual tech)	nCM 10 / nCM PDT 10
Graphic Touchscreen	nPOD GFX [color]	Wide view (PIR / dual tech)	nWV 16 / nWV PDT 16
<b>Photocell controls</b>	<b>Model number</b>	Wall Switch w/ Raise/Lower (PIR / dual tech)	nWSX LV DX / nWSX PDT LV DX
Dimming	nCM ADCX	<b>Cat-5 cables (plenum rated)</b>	<b>Model number</b>
		10', CAT5 10FT	CAT5 10FT J1
		15', CAT5 15FT	CAT5 15FT J1