

FEATURES & SPECIFICATIONS

INTENDED USE — Typical applications include corridors, lobbies, conference rooms and private offices.

CONSTRUCTION — Retrofit, remodel, and new construction mounting types. See table for compatible ceiling openings and thickness range.

Optional goof rings available for additional overlap trim coverage.

1/2"-1-1/2" ceiling thickness

25° ambient temperature

IC rated up to 1000lm

OPTICS — 55° cutoff

New construction frame accessories approved for 8 (4 in/4 out) No. 12 AWG conductors rated for 90°C through wiring.

80CRI standard (90CRI optional)

ELECTRICAL — Adjustable lumen output with four module options. Fixed lumen options also available. MVOLT 120/277V 50/60Hz driver (0-10V & 120V Phase Dimming to 10% or 1% min dimming level)

FCC CFR Title 47 Part 15 Class A for 277V. FCC CFR Title 47 Part 15 Class B for 120V.

L80 at 60,000 hours

3 SDCM

LISTINGS — Certified to US and Canadian safety standards. Title 24 compliant (90CRI, up to 1000lm) Damp location standard (Wet Location (WL) optional, requires covered ceiling). Some configurations are ENERGY STAR® certified, please visit www.energystar.gov for specific products. TAA compliant. UFC (3-530-01) specification compliant for power factor and THD. GSA P100 6.2.4 compliant for power quality at full output; compliant up to 2000lm at fully dimmed output.

WARRANTY — 5-year limited warranty. This is the only warranty provided and no other statements in this specification sheet create any warranty of any kind. All other express and implied warranties are disclaimed. Complete warranty terms located at: www.acuitybrands.com/support/warranty/terms-and-conditions

Note: Actual performance may differ as a result of end-user environment and application.

All values are design or typical values, measured under laboratory conditions at 25 °C.

Specifications subject to change without notice.

Catalog Number
Notes
Type

LBR8

8" OPEN



Retrofit | Remodel



New Construction



battery pack

LBR8 AR LSS MWD		80CRI									
Lumen Output	Wattage	30K/80CRI		35K/80CRI		40K/80CRI		50K/80CRI		Delivered Lumens	LPW
		Delivered Lumens	LPW	Delivered Lumens	LPW	Delivered Lumens	LPW	Delivered Lumens	LPW		
AL01 (500LM)	6	551	96	564	97	577	99	595	101		
AL01 (750LM)	9	872	98	893	100	914	102	942	104		
AL01 (1000LM)	13	1225	95	1253	96	1283	98	1323	101		
AL02 (1000LM)	13	1298	105	1328	106	1360	108	1402	111		
AL02 (1500LM)	19	1895	101	1939	103	1985	105	2047	107		
AL02 (2000LM)	25	2387	96	2442	98	2500	99	2578	102		
AL03 (2000LM)	25	2456	99	2513	101	2572	103	2652	105		
AL03 (2500LM)	32	2965	94	3034	96	3106	98	3202	100		
AL03 (3000LM)	38	3367	90	3445	91	3527	93	3636	95		
AL04 (4000LM)	39	4008	104	4090	106	4172	108	4213	109		
AL04 (4500LM)	44	4424	101	4514	103	4604	105	4649	106		
AL04 (5000LM)	49	4811	98	4909	100	5007	102	5056	103		

LBR8 MS MWD		80CRI									
Lumen Output	Wattage	30K/80CRI		35K/80CRI		40K/80CRI		50K/80CRI		Delivered Lumens	LPW
		Delivered Lumens	LPW	Delivered Lumens	LPW	Delivered Lumens	LPW	Delivered Lumens	LPW		
AL01 (500LM)	6	463	80	474	82	485	84	500	86		
AL01 (750LM)	9	733	82	750	84	767	86	791	88		
AL01 (1000LM)	13	1029	79	1053	81	1078	83	1111	86		
AL02 (1000LM)	13	1091	87	1116	89	1142	91	1178	94		
AL02 (1500LM)	19	1592	84	1629	86	1667	88	1719	91		
AL02 (2000LM)	25	2005	80	2052	82	2100	84	2165	87		
AL03 (2000LM)	25	2063	83	2111	85	2161	87	2228	89		
AL03 (2500LM)	32	2490	79	2548	81	2609	83	2690	85		
AL03 (3000LM)	38	2828	75	2894	77	2963	78	3055	81		
AL04 (4000LM)	39	3367	86	3436	88	3504	90	3539	91		
AL04 (4500LM)	44	3716	84	3792	86	3867	88	3905	89		
AL04 (5000LM)	49	4041	82	4124	84	4206	86	4247	87		



A+ Capable options indicated by this color background.

Module ordering

ORDERING INFORMATION

Lead times will vary depending on options selected. Consult with your sales representative.

Example: LBR8 ALO2 SWW1 AR LSS MWD MVOLT UGZ 90CRI

Series	Lumens ‡	Color temperature ‡	Reflector Color	Reflector Flange	Reflector Finish
LBR8 8" Retrofit	Adjustable Lumen Output	Switchable CCT	MS ‡ Metallic Silver	(blank) Self-flanged	LSS Semi-specular
LBR8WW ‡ 8" Retrofit Wallwash	AL01 500/750/1000lm AL02 1000/1500/2000lm AL03 2000/2500/3000lm AL04 4000/4500/5000lm	SWW1 3000K-3500K-4000K-5000K Fixed CCT 30K 3000K 35K 3500K 40K 4000K 50K 5000K	WR ‡ White painted BR ‡ Black painted AR Clear	TRW ‡ White painted flange TRBL ‡ Black painted flange	
	Fixed Lumen Output 05LM 500lm 07LM 750lm 10LM 1000lm 15LM 1500lm 20LM 2000lm 25LM 2500lm 30LM 3000lm 40LM 4000lm 45LM 4500lm 50LM 5000lm				

Distribution	Voltage	Driver	Options
MWD Medium wide (1.0 s/mh)	MVOLT 120	UGZ Universal dimming to 10% 0-10V; line voltage dimming (120V)	90CRI High CRI (90+) AT ‡ Airtight
WD Wide (1.2s/mh)	277	UGZ1 Universal dimming to 1% 0-10V; line voltage dimming (120V)	E10WCP ‡ Batterypack (10W constant power) Non-T20 Compliant integral test switch
WW ‡ Wallwash	347	DALI ‡ DALI dimming to 1% D10 Minimum dimming 10% driver for use with JOT D1 Minimum dimming 1% driver for use with JOT	E10WCPR ‡ Batterypack (10W constant power) T20 Compliant remote test switch ELR ‡ Batterypack (10W constant power) Non-T20 Compliant remote test switch ETS ‡ Iota Emergency Transfer System
			EC1 ‡ Extended Conduit (18") EC6 ‡ Extended Conduit (6ft) WL ‡ Wet Location (IP55) QDS ‡ Quick disconnect plugs CP ‡ Chicago Plenum JOT ‡ Wireless room control with "Just One Touch" pairing

nLight Options ‡	
NPS80EZ	nLight® network power/relay pack with 0-10V dimming
NPS80EZER	nLight® network power/relay pack with 0-10V dimming; ER controls fixtures on emergency circuit.
NLTAIR2	nLight® Air enabled
NLTAIRER2	nLight® AIR Dimming Pack Wireless Controls. Controls fixtures on emergency circuit
NLTAIREM2	nLight® AIR Dimming Pack Wireless Controls. UL924 Emergency Operation, via power interrupt detection.

‡ Option Value Ordering Restrictions	
Options	Restriction
Adjustable Lumens/CCT	Adjustable Lumen Output and Switchable CCT must be specified together (for example: AL01 SWW1).
Fixed Lumens/CCT	Fixed Lumen Output and Fixed CCT must be specified together (for example: 10LM 30K).
AT	Standard for CP and IP55, not available with WW.
E10WCP	Not available EC1, EC6, QDS, CP, 347V, NPS80EZ ER, NLTAIRER2, NLTAIREM2, AL03 & AL04 w/DALI, OR 2000-4500 lumens w/JOT.
E10WCPR	Not available with EC1, EC6, AT, QDS, CP, 347V, NPS80EZ ER, NLTAIRER2, NLTAIREM2, WL, AL03 & AL04 w/DALI, OR 2000-4500 lumens w/JOT.
ELR	Not available EC1, EC6, QDS, CP, 347V, NPS80EZ ER, NLTAIRER2, NLTAIREM2, AL03 & AL04 w/DALI, OR 2000-4500 lumens w/JOT.
EC1, EC6	Not Available with CP, QDS, ELR, E10WCP, or E10WCPR.
WL	Not available with WW, All CP is wet location, except WW (Damp). IP55 rated.
QDS	Must be specified for use with LBR_PFWQDS. Not available with 347V, CP, ELR, E10WCP, E10WCPR.
JOT	Not available with CP, nLight options, UGZ, or DALI drivers. Max 4500 lumens. Fixed lumens and CCT only. Not available with 2000-4500lm in conjunction with batterypack.
NPS80EZ	Not available with CP, QDS, DALI, D1, OR D10 drivers. 120V OR 277V only. Not available with 347V.
NPS80EZER	Not available with CP, QDS, ELR, E10WCP, E10WCPR, DALI, D1, OR D10 drivers. 120V OR 277V only. Not available with 347V.
NLTAIR2	Not available with CP, QDS, DALI, D1, OR D10 drivers. See UL 924 Sequence of Operation table. Non-emergency luminaires with this option can be used as a normal power sensing device for nLight AIR devices and luminaires with EM emergency options.
NLTAIRER2	Not available with CP, QDS, ELR, E10WCP, E10WCPR, DALI, D1, OR D10 drivers. Not available with 347V.
NLTAIREM2	Not available with CP, QDS, ELR, E10WCP, E10WCPR, DALI, D1, OR D10 drivers. See UL 924 Sequence of Operation table.
CP	Must be specified for use with LBR_PFWCP. Not available with, QDS, EC1, EC6, ELR, E10WCP, E10WCPR, 347V, JOT, NPS80EZ, NPS80EZ ER, NLTAIR2, NLTAIRER2, NLTAIREM2, D1, OR D10 drivers.
ETS	Not available with, QDS, ELR, E10WCP, E10WCPR, 347V, JOT, NPS80EZ, NPS80EZ ER, NLTAIR2, NLTAIRER2, NLTAIREM2, DALI, D1, OR D10 driver.
DALI	Not available with fixed lumens or CCT. Max 4500 lumens.
WW	Not available with WL, EL and E10WCP.
TRW, TRBL	Available with MS and AR reflectors only.
MS, WR, BR	Not available with LSS reflector finish.

LBR8

Accessories: Order as separate catalog number. Shipped separately.

LBRGR910	Goof ring 9-3/4" to 10-3/4" for LBR8
LBRGR910CP	Chicago Plenum Goof ring 9-3/4" to 10-3/4" for LBR8
LBR8AR LSS TRIM	8" clear, semi-specular reflector
LBR8** TRIM	8" reflector (** specify MS, WR, BR)
LBR8AR LSS WW TRIM	8" clear, semi-specular wallwash
LBR8** WW TRIM	8" wallwash (** specify MS, WR, BR)
LDN8RVRGIN IFB	Install-from-below rough-in frame
LBR46810HB FPAN U	Mounting plate 4"-10" unit pack
LBR468HB FPAN J10	Mounting plate 4"-10" 10-pack
LBR SDT 347V 75W ASM	Field installed 347V Step-down transformer

Goof rings must specify reflector color
 Example: LBRGR910 AR
 WR = white, BR = black, AR = Clear

UL924 Sequence of Operation

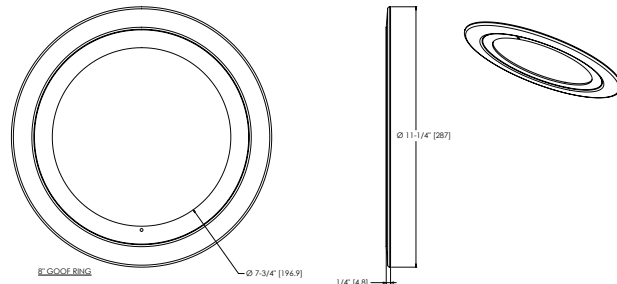
The below information applies to all nLight AIR devices with an EM option.

- EM devices will remain at their high-end trim and ignore wireless lighting control commands, unless a normal-power-sensed (NPS) broadcast is received at least every 8 seconds.
- Using the **CLAIRITY+** mobile app, EM devices must be associated with a group that includes a normal power sensing device to receive NPS broadcasts.
- Only non-emergency rPP20, rLSXR, rSBOR, rSDGR, and nLight AIR luminaires with version 3.4 or later firmware can provide normal power sensing for EM devices. See specification sheets for control devices and luminaires for more information on options that support normal power sensing.

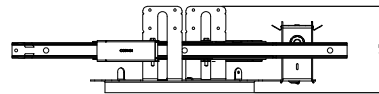
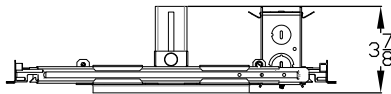
New Construction Frames: Order as separate catalog number. Shipped separately.

LBR8PFW	8" New construction frame with JBOX, 18" conduit
LBR8PFWQDS	8" New construction frame with JBOX, 18" conduit, quick disconnects
LBR8PFWCP	8" Chicago Plenum New construction frame with JBOX, 18" conduit

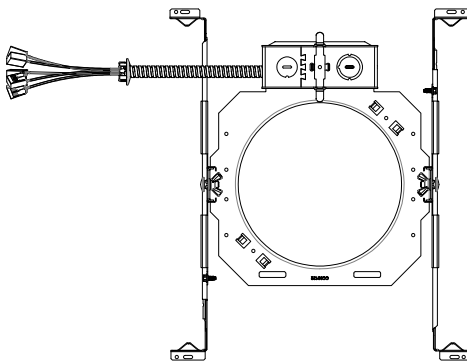
NOTE: † indicates option value has ordering restrictions. Please reference the Option Value Ordering Restrictions chart on the next page.



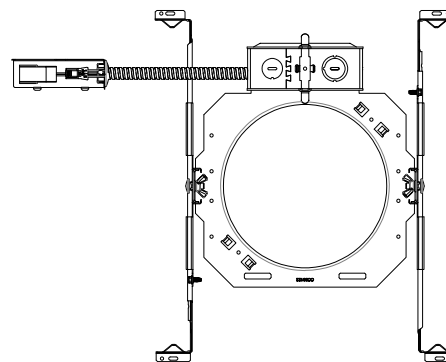
* All dimensions are inches (millimeters) unless otherwise noted.



Aperture Size	Ceiling Cutout
8 In	8-3/4"



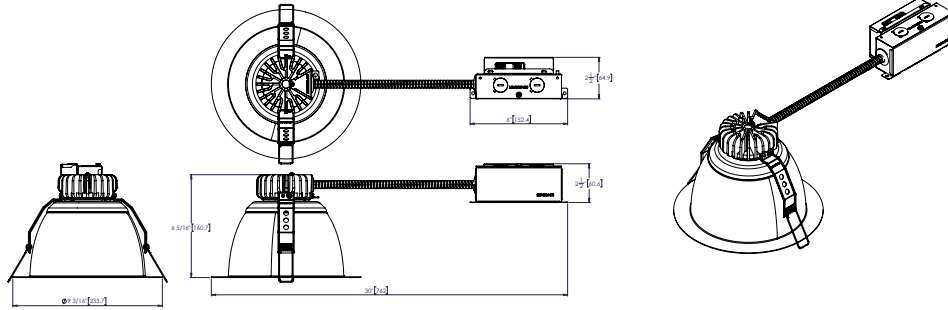
8" New Construction Frame, 18" Conduit



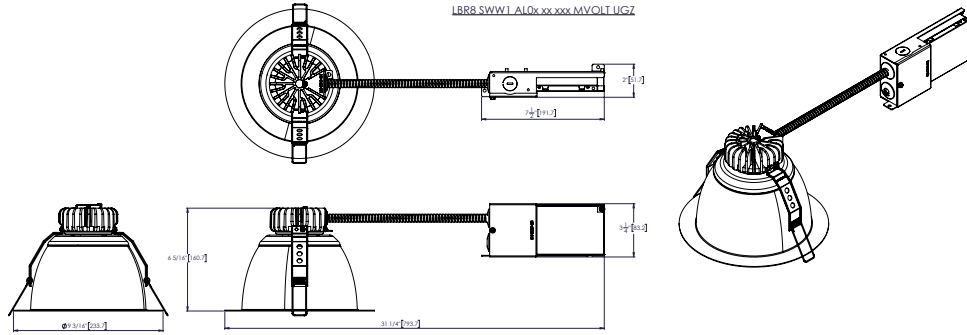
8" New Construction Frame, QDS

LBR8

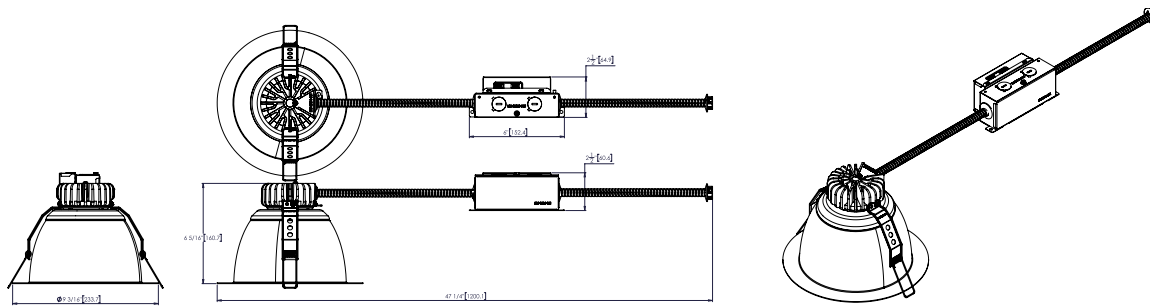
* All dimensions are inches (millimeters) unless otherwise noted.



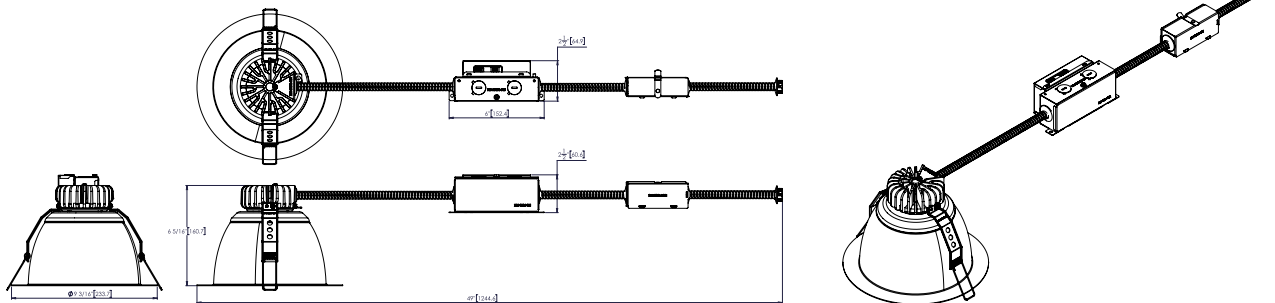
LBR8 SWW1 AL0x xx xxx MVOLT UGZ



LBR8 SWW1 AL03 xx xxx MVOLT DALI



LBR8 SWW1 AL0x xx xxx MVOLT UGZ EC1

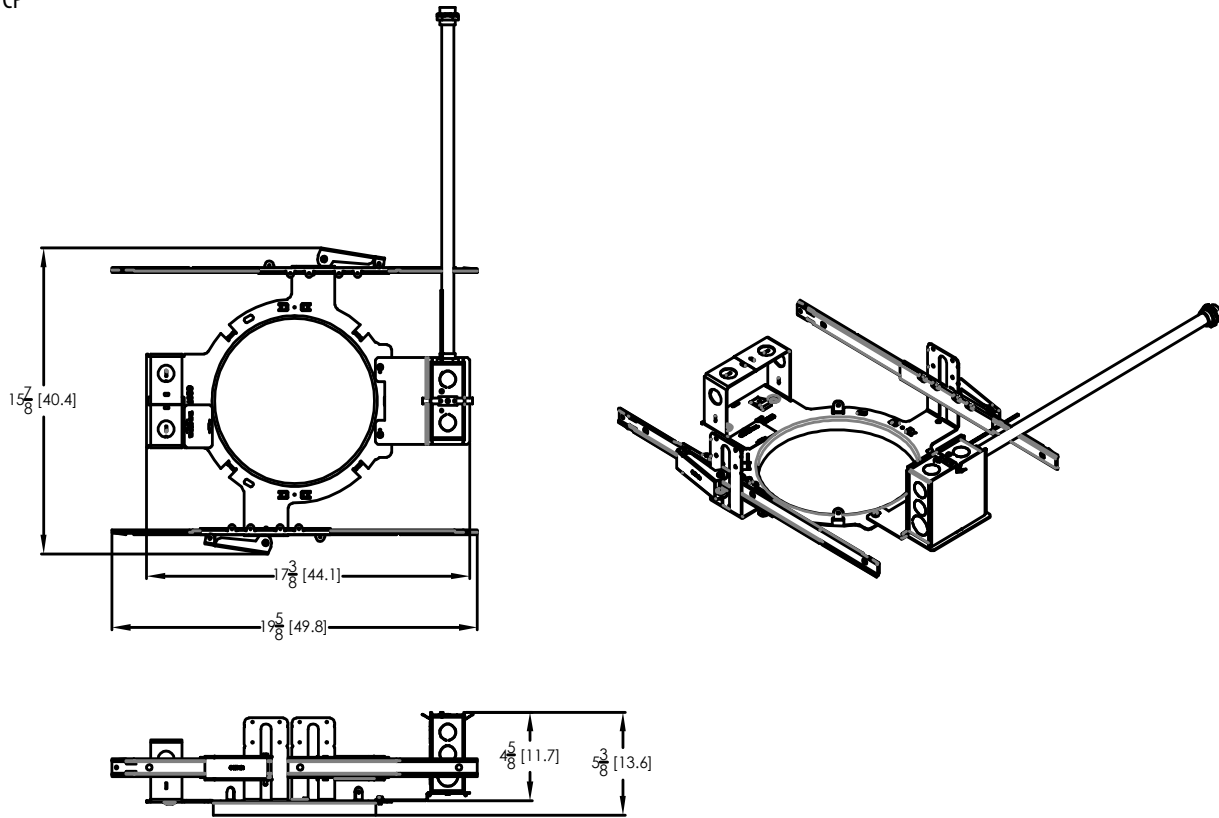


LBR8 SWW1 AL0x xx xxx MVOLT UGZ QDS

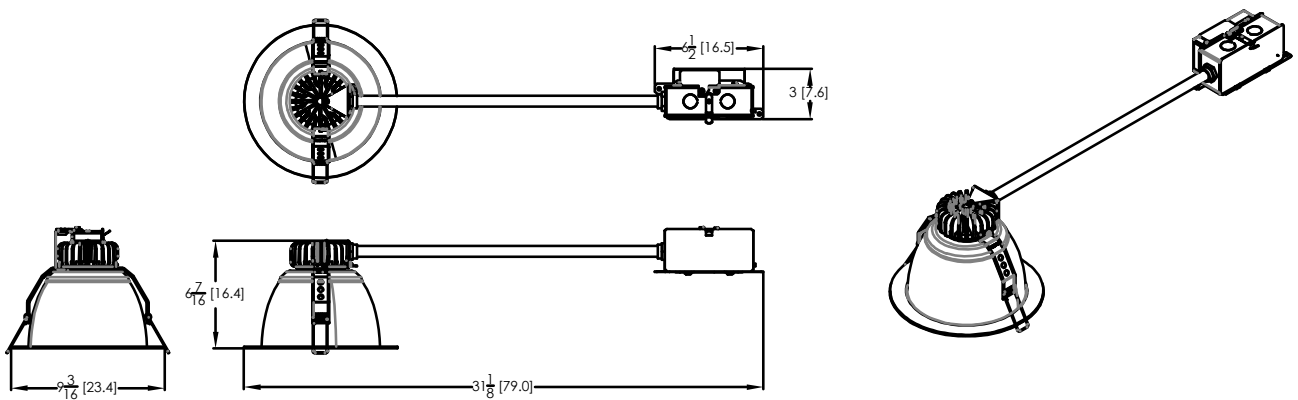
LBR8

* All dimensions are inches (millimeters) unless otherwise noted.

LBR8PFWCP



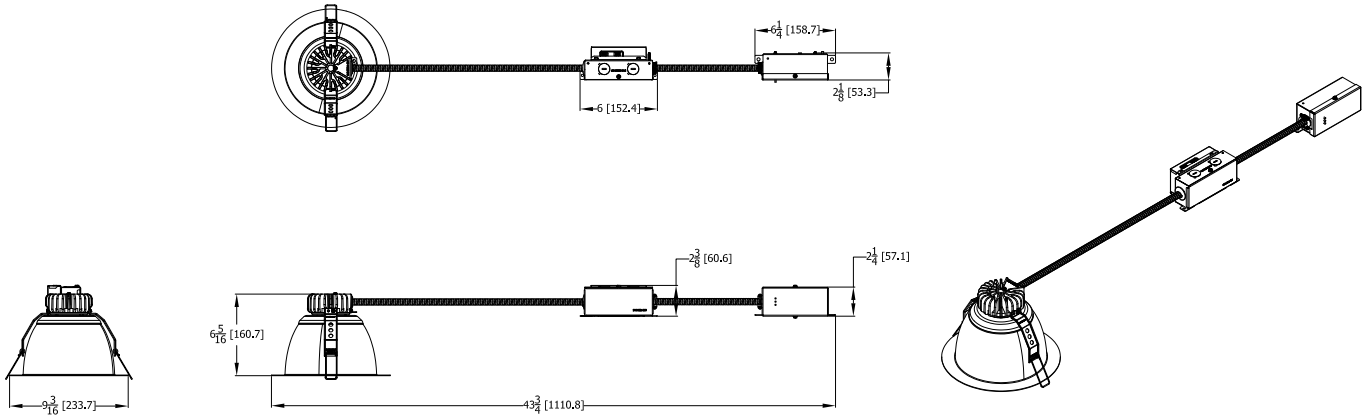
LBR8 SWW1 ALOx MVOLT UGZ CP



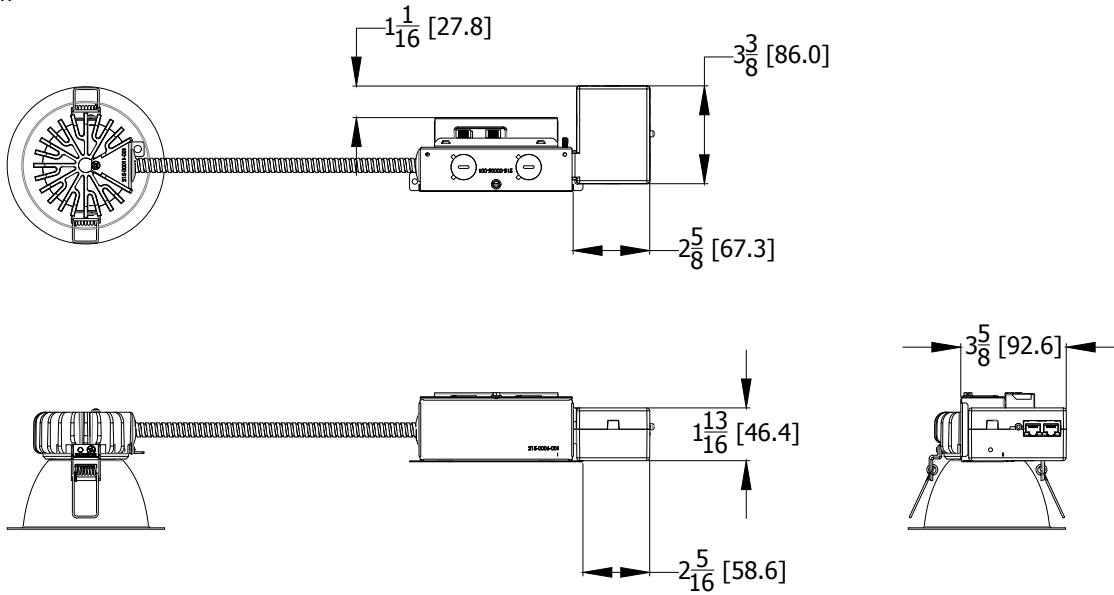
LBR8

* All dimensions are inches (millimeters) unless otherwise noted.

LBR8 ALOx SWW1 xx xxx 347 UGZ



LBRx nLIGHT



PLENUM DEPTH TABLE				
Aperture Size/Output	Plenum Depth*	IC	Non-IC	Non-IC Marked Spacing
LBR8 500-1000 Lumen	5.81	X		
LBR8 1000-2000 Lumen	5.81		X	
LBR8 2000-3000 Lumen	-			24x24x9
LBR8 4000-5000 Lumen	-			24x24x9

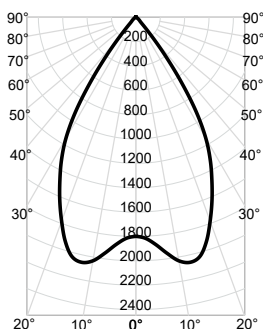
*Above unfinished 1/2" ceiling plane

CEILING COVERAGE TABLE								
Series		Aperture	Trim Flange OD	Min ceiling opening	Ceiling Thickness	Max ceiling opening	Max Ceiling Opening with Goof Ring	Overall Goof Ring OD
LBR8	ROUND	7-1/6"	9-3/16"	7-3/4"	1/2"	8-7/8"	9-1/4"	11-1/4"
LBR8					1-1/2"		9-5/8"	

PHOTOMETRY

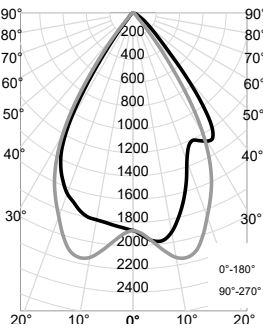
Distribution Curve	Distribution Data	Output Data	Coefficient of Utilization	Illuminance Data at 30" Above Floor for a Single Luminaire
--------------------	-------------------	-------------	----------------------------	------------------------------------------------------------

LBR8 SWW1 ALO2 AR LSS MWD MVOLT UGZ, Input Watts: 18.1, Delivered Lumens: 1883, LPW: 104.0, S/MH: 1.05, Test No: 20-518-04



CP Summary		Zonal Lumen Summary		Coefficients of Utilization								Cone of Light			Luminaire (cd/sq.m)			
0°	90°	Zone	Lumens % Fixture	pf	50%		80%		20%		70%		50%		Mounting Height	Initial FC Center Beam	Beam Diameter	Average Luminaire
				pc	50%	30%	10%	50%	30%	10%	50%	30%	10%					
0°	1,799	0° - 30°	1,416 75%	0	119	119	119	116	116	116	111	111	111	6.0	50.0	7.3	0°	68,479
5°	1,874	0° - 40°	1,812 96%	1	111	109	106	109	107	105	105	103	101	8.0	28.1	9.7	45°	2,703
15°	2,032	0° - 60°	1,878 100%	2	104	100	96	102	98	95	99	96	93	10.0	18.0	12.2	55°	1,062
25°	1,476	0° - 90°	1,883 100%	3	97	92	88	95	91	87	93	89	86	12.0	12.5	14.6	65°	288
35°	644	90° - 180°	0 0%	4	91	85	81	89	85	81	87	83	80	14.0	9.2	17.0	75°	191
45°	50	0° - 180°	1,883 100%	5	85	79	75	84	79	75	82	78	74				85°	131
55°	16			6	80	74	70	79	74	70	78	73	69					
65°	3			7	75	69	65	75	69	65	73	68	65					
75°	1			8	71	65	61	70	65	61	69	64	61					
85°	0			9	67	61	57	67	61	57	66	61	57					
90°	0			10	64	58	54	63	58	54	62	57	54					

LBR8WW SWW1 ALO2 AR LSS WW, Input Watts: 18.7, Delivered Lumens: 1929, LPW: 103.2, S/MH: 0.88, Test No: 20-518-A2



CP Summary		Zonal Lumen Summary		Coefficients of Utilization								Luminaire (cd/sq.m)			
0°	90°	Zone	Lumens % Fixture	pf	50%		80%		20%		70%		50%		Average Luminaire
				pc	50%	30%	10%	50%	30%	10%	50%	30%	10%		
0°	1,869	0° - 30°	1,369 71%	0	119	119	119	116	116	116	111	111	111	45°	76,135
5°	1,965	0° - 40°	1,794 93%	1	111	108	106	108	106	104	104	103	101	55°	18,909
15°	1,672	0° - 60°	1,913 99%	2	103	99	95	101	97	94	98	95	92	65°	7,969
25°	1,210	0° - 90°	1,929 100%	3	96	91	87	94	90	86	92	88	85	75°	3,441
35°	1,170	90° - 180°	0 0%	4	89	84	80	88	83	79	86	82	78	85°	1,511
45°	328	0° - 180°	1,929 100%	5	84	78	74	83	77	73	81	76	73		748
55°	112			6	78	72	68	78	72	68	76	71	67		
65°	36			7	74	68	63	73	67	63	72	67	63		
75°	10			8	69	63	59	69	63	59	68	63	59		
85°	2			9	65	60	56	65	59	55	64	59	55		
90°	0			10	62	56	52	61	56	52	61	56	52		

LUMEN OUTPUT MULTIPLIERS - CCT			
3000K	3500K	4000K	5000K
0.98	1.0	1.01	1.03

LUMEN OUTPUT MULTIPLIERS - FINISH	
Clear Semi-spec (AR LSS)	1.0
Metallic Silver (MS)	0.84
White Painted (WR)	1.03
Black Painted (BR)	0.60

LUMEN OUTPUT MULTIPLIERS - CRI	
80	1.0
90	0.874

HOW TO ESTIMATE DELIVERED LUMENS IN EMERGENCY MODE

Use the formula below to estimate the delivered lumens in emergency mode

Delivered Lumens = 1.25 x P x LPW

P = Output power of emergency driver. P = 10W for PS1055CP

LPW = Lumen per watt rating of the luminaire. This information is available on the ABL luminaire spec sheet.

The LPW rating is also available at Designlight Consortium.

Emergency Battery Pack Options - Field Installable

Battery Model Number	Wattage	Runtime (Minutes)	Lumen Output* @ 120 Lumens/Watt	Other
ILB CP07 2H A	7W	120	840	Storm Shelter / 2 Hour Runtime
ILB CP10 A	10W	90	1200	
ILBLP CP10 HE SD A+	10W	90	1200	Title 20, Self Diagnostic
ILBLP CP15 HE SD A+	15W	90	1800	Title 20, Self Diagnostic
ILB CP20 HE A	20W	90	2400	Title 20
ILB CP20 HE SD A	20W	90	2400	Title 20, Self Diagnostic
ILBHI CP10 HE SD A+	10W	90	1200	347-480V AC Input, Title 20, Self Diagnostic
ILBHI CP15 HE SD A+	15W	90	1800	347-480V AC Input, Title 20, Self Diagnostic

All the above are UL Listed products that are certified for field install external/remote to the fixture.

*Minimum delivered lumen output to assist in product selection for increased fixture mounting height.

The CP10 delivered emergency illumination outperforms legacy 1400 lumen fluorescent emergency ballast.

Please contact us at productsupportemergency@acuitybrands.com for any Emergency Battery related questions.

DIMMER COMPATIBILITY

Not compatible with DALI or DMX dimmers. For specific compatible dimmers see below.

LINE VOLTAGE DIMMING:						
Type	Forward Phase	ALO1 (500-1000lm)	ALO2 (1000-2000lm)	ALO3 (2000-3000lm)	ALO4 (3000-5000lm)	Comment
MLV	Sensorswitch WPD	YES	YES	YES	YES	
MLV	Sensorswitch CMR PDT10 ADC VLP	YES	YES	YES	YES	
MLV	Synergy ISD 600LV	YES, 2x *	YES	YES	YES	* min 2 fixtures
INC	Synergy ISD 600 I	YES, 2x *	YES	YES	YES	* min 2 fixtures
MLV	Lutron Glyder GLV-600	YES	YES	YES	YES	
INC	Leviton SureSlide 6633	YES	YES	YES	YES	
MLV	Lutron Diva DVLV-600P	YES	YES	YES	YES	
MLV	Lutron Skylark SLV-600P	YES	YES	YES	YES	
INC	Lutron RadioRA 2 10ND	YES	YES	YES	YES	
MLV	Leviton SureSlide 6613-PLW	YES	YES	YES	YES	
INC	Lutron Diva DVCL-153P	YES	YES	YES	YES	
MLV	Leviton IPM06	YES, 2x *	YES	YES	YES	* min 2 fixtures
INC	Leviton IPI06	YES, 2x *	YES	YES	YES	* min 2 fixtures
INC	Control4 C4-FPD 120	YES	YES	YES	YES	
Type	Reverse Phase Dimmer Bank	ALO1 (500-1000lm)	ALO2 (1000-2000lm)	ALO3 (2000-3000lm)	ALO4 (3000-5000lm)	
ELV	Lutron Nova T NTELV-600	YES	YES	YES	YES	
ELV	Lutron Diva DVELV 600P	YES	YES	YES	YES	
ELV	Lutron Maestro MAELV 600	YES	YES	YES	YES	
ELV	Leviton Vizia VPE06-1LX	YES	YES	YES	YES	
ELV	Leviton Illumatech IPE04	YES	YES	YES	YES	
ELV	Control4 C4-APD 120 REVERSE PHASE	YES	YES	YES	YES	
Type	Miscellaneous Dimmers	ALO1 (500-1000lm)	ALO2 (1000-2000lm)	ALO3 (2000-3000lm)	ALO4 (3000-5000lm)	
PHA	Lutron RadioRA2 RRD-6NA	YES	YES	YES	YES	
PHA	Lutron Maestro PRO LED+ RRD-PRO	YES	YES	YES	YES	
Type	Control Systems	ALO1 (500-1000lm)	ALO2 (1000-2000lm)	ALO3 (2000-3000lm)	ALO4 (3000-5000lm)	
MLV	Lutron LP-RPM-4U	YES	YES	YES	YES	
PHA	Lutron LP-RPM-4A	YES	YES	YES	YES	
MLV	Lutron GRAPHIC EYE QSGRJ-3P	YES	YES	YES	YES	
PHA	Lutron PA Power Module PHPM-PA-120	YES	YES	YES	YES	
ELV	Lutron nLight nSP5PCD ELV	YES	YES	YES	YES	

DIMMER COMPATIBILITY

Not compatible with DALI or DMX dimmers. For specific compatible dimmers see below.

0-10V DIMMING:							
Manufacturer	System Type	Description	P/N	ALO1 (500-1000lm)	ALO2 (1000-2000lm)	ALO3 (2000-3000lm)	ALO4 (3000-5000lm)
ACUITY	Wall Box	sensorswitch, dimming switch with multi-way option	SPODMRA	YES	YES	YES	YES
ACUITY	Wall Box	sensorswitch, wall switch sensor, occupancy controlled dimming	WSX D WH	YES	YES	YES	YES
ACUITY	Control System	nLight	nPP16D	YES	YES	YES	YES
ACUITY	Control System	nLight	nPS 80 EZ	YES	YES	YES	YES
ACUITY	Control System	nLight Air	rPP20 D	YES	YES	YES	YES
Lutron	Other	0-10V (sink or source) PowPak wireless dimming module	RMJ-5T-DV-B	YES	YES	YES	YES
Wattstopper	Control System	Digital single relay room controller (0-10V)	LMRC-211	YES	YES	YES	YES
Crestron	Control System	DIN Rail 0-10V fluorescent dimmer, 4 feeds, 4 channels (Green Light System)	DIN-4DIMFLV4	YES	YES	YES	YES
Lutron	Other	Grafik Eye 0-10V adapter	GRX-TVI	YES	YES	YES	YES
Leviton	Wall Box	Illumatech 0-10V	IP710-DLX	YES	YES	YES	YES
Lutron	Control System	Mounted in the Homeworks QS panel - 0-10V dimmer (sink or source)	GRX-TVM2	YES	YES	YES	YES
Lutron	Wall Box	Nova 0-10V wallbox dimmer (use with PP-120-H line voltage relay)	NFTTV	YES	YES	YES	YES
Lutron	Wall Box	Nova 0-10V wallbox dimmer (use with PP-120-H line voltage relay)	NTSTV-DV	YES	YES	YES	YES
Lutron	Wall Box	Nova T	NFTV	YES	YES	YES	YES
Leviton	Wall Box	Renior II 0-10V	AWSMG-7DW	YES	YES	YES	YES