



READ AND FOLLOW ALL SAFETY INSTRUCTIONS!
SAVE THESE INSTRUCTIONS AND DELIVER TO OWNER AFTER INSTALLATION

- To reduce the risk of death, personal injury or property damage from fire, electric shock, falling parts, cuts/abrasions, and other hazards please read all warnings and instructions included with and on the fixture box and all fixture labels.
- Before installing, servicing, or performing routine maintenance upon this equipment, follow these general precautions.
- Installation and service of luminaires should be performed by a **qualified licensed electrician**.
- Maintenance of the luminaires should be performed by person(s) familiar with the luminaires' construction and operation and any hazards involved. Regular fixture maintenance programs are recommended.
- It will occasionally be necessary to clean the outside of the refractor/lens. Frequency of cleaning will depend on ambient dirt level and minimum light output which is acceptable to user. Refractor/lens should be washed in a solution of warm water and any mild, non-abrasive household detergent, rinsed with clean water and wiped dry. Should optical assembly become dirty on the inside, wipe refractor/lens and clean in above manner, replacing damaged gaskets as necessary.
- **DO NOT INSTALL DAMAGED PRODUCT!** This luminaire has been properly packed so that no parts should have been damaged during transit. Inspect to confirm. Any part damaged or broken during or after assembly should be replaced.
- Recycle: For information on how to recycle LED electronic products, please visit www.epa.gov.
- These instructions do not purport to cover all details or variations in equipment nor to provide every possible contingency to meet in connection with installation, operation, or maintenance. Should further information be desired or should particular problems arise which are not covered sufficiently for the purchaser's or owner's purposes, this matter should be referred to Acuity Brands Lighting, Inc.




WARNING
RISK OF ELECTRIC SHOCK

- ✓ Disconnect or turn off power before installation or servicing.
- ✓ Verify that supply voltage is correct by comparing it with the luminaire label information.
- ✓ Make all electrical and grounded connections in accordance with the National Electrical Code (NEC) and any applicable local code requirements.
- ✓ All wiring connections should be capped with UL approved recognized wire connectors.




WARNING
RISK OF BURN

- ✓ Allow lamp/fixture to cool before handling. Do not touch enclosure or light source.
- ✓ Do not exceed maximum wattage marked on luminaire label.
- ✓ Follow all manufacturer's warnings, recommendations and restrictions for: driver type, burning position, mounting locations/methods, replacement and recycling.



CAUTION
RISK OF INJURY

- ✓ Wear gloves and safety glasses at all times when removing luminaire from carton, installing, servicing or performing maintenance.
- ✓ Avoid direct eye exposure to the light source while it is on.



CAUTION
RISK OF FIRE

- ✓ Keep combustible and other materials that can burn, away from lamp/lens.
- ✓ Do not operate in close proximity to persons, combustible materials or substances affected by heat or drying.

**READ AND FOLLOW ALL SAFETY INSTRUCTIONS!
SAVE THESE INSTRUCTIONS AND DELIVER TO OWNER AFTER INSTALLATION**

- The retrofit kit is accepted as a component of a luminaire where the suitability of the combination shall be determined by authorities having jurisdiction. Product must be installed by a qualified electrician in accordance with the applicable with the applicable and appropriate electrical codes. The installation guide does not supersede local or national regulations for electrical installations.



**WARNING
RISK OF ELECTRIC SHOCK**

- ✓ Install this kit only in luminaires that have the construction features and dimensions shown in the photographs and/or drawings and where the input rating of the retrofit kit does not exceed the input rating of the luminaire.
- ✓ LED Retrofit Kit installation requires knowledge of luminaires electrical systems. If not qualified, do not attempt installation. Contact a qualified electrician.
- ✓ Do not make or alter any open holes in an enclosure of wiring or electrical components during kit installation.
- ✓ **WARNING** - To prevent wiring damage or abrasion, do not expose wiring to edges of sheet metal or other sharp objects.



CAUTION: RISK OF PRODUCT DAMAGE

- ✓ Never connect components under load.
- ✓ Do not mount or support these fixtures in a manner that can cut the outer jacket or damage wire insulation.
- ✓ Controls for dimming, auto-sensing, or remote control of a luminaire that are not factory-wired to the luminaire must be checked for compatibility with the luminaire prior to installation. LED fixtures must be powered directly off a switched circuit.
- ✓ Unless individual product specifications deem otherwise: Do not restrict fixture ventilation. Allow for some volume of airspace around fixture. Avoid covering LED fixtures with insulation, foam, or other material that will prevent convection or conduction cooling.
- ✓ Unless individual product specifications deem otherwise: Do not exceed fixtures maximum ambient temperature.
- ✓ Only use fixture in its intended location.
- ✓ LED products are Polarity Sensitive. Ensure proper Polarity before installation.
- ✓ Electrostatic Discharge (ESD): ESD can damage LED fixtures. Personal grounding equipment must be worn during all installation or servicing of the unit.
- ✓ Do not touch individual electrical components as this can cause ESD, shorten lamp life, or alter performance.
- ✓ Some components inside the fixture may not be serviceable. In the unlikely event your unit may require service, stop using the unit immediately and contact an ABL representative for assistance.
- ✓ Always read the fixtures complete installation instructions prior to installation for any additional fixture specific warnings.
- ✓ Always ensure that the electrical distribution system is up to NEC (and any applicable local code) requirements.
- ✓ Verify that power distribution system has proper grounding. Lack of proper earth ground can lead to fixture failure and may void warranty.

Choose either Part 15 OR Part 18 and move to Page 3 Installation Instructions under Delivery. Lithonia Outdoor will always use Part 15. All luminaires that contain electronic devices that generate frequencies above 9kHz from any component within the luminaire comply with Part 15 of the FCC Rules. Operation is subject to the following two conditions:

- (1) This device may not cause harmful interference
- (2) This device must accept any interference received, including interference that may cause undesired operation

This device complies with Part 18 of the FCC Rules but may cause interference with cordless and cell phones, radios, televisions, and other electronic devices. To correct the problem, move the device away from the luminaire or plug into a different outlet. This product may cause interference to radio equipment and should not be installed near maritime safety communications equipment or other critical navigation or communications equipment operating between 0.45-30MHz.

Failure to follow any of these instructions could void product warranties. For a complete listing of product Terms and Conditions, please visit www.acuitybrands.com.

Our Brands	Indoor/Outdoor Lithonia Lighting Carandini Holophane RELOC Light Concepts	Indoor Lighting Aculux Gotham Indy Juno Mark Architectural Lighting Peerless Renaissance Lighting Winona Lighting	Outdoor Lighting American Electric Lighting Antique Street Lamps Hydrel Tersen	Controls DARK TO LIGHT LC&D ROAM Sensor Switch Synergy	Daylighting SunOptics
-------------------	---	--	---	--	---------------------------------

Acuity Brands Lighting, Inc. assumes no responsibility for claims arising out of improper or careless installation or handling of its products.

ABL LED General Warnings, Form No. 503.203 © 2010, 2016 Acuity Brands Lighting, Inc. All rights reserved. 12/01/10

LBR INSTALLATION INSTRUCTIONS

These installation instructions are used for installing the following luminaires.

LBR4	LBR4SQ
LBR6	LBR6SQ
LBR8	LBR10

LBR4WW	LBR4SQWW
LBR6WW	LBR6SQWW
LBR8WW	

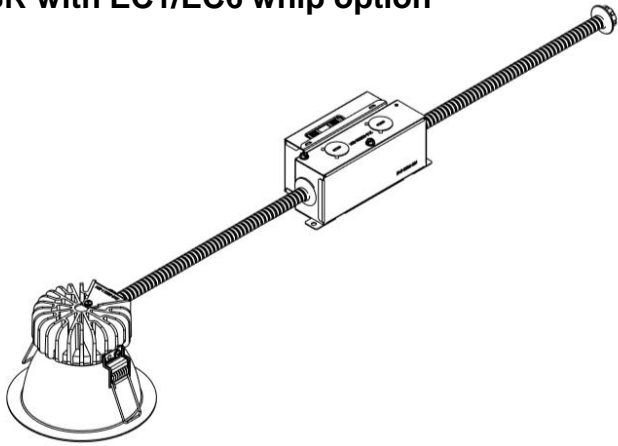
A) Ceiling opening chart.....	Page 4
B) Identification of LBR Luminaires.....	Page 5
C) LBR with EC1/EC6 whip	Page 7
D) LBR with QDS whip	Page 9
E) LBR base fixture.....	Page 12
F) LBR with emergency battery (ELR & E10WCPR).....	Page 14
G) LBR with emergency battery (E10WCP).....	Page 18

A) Ceiling opening chart

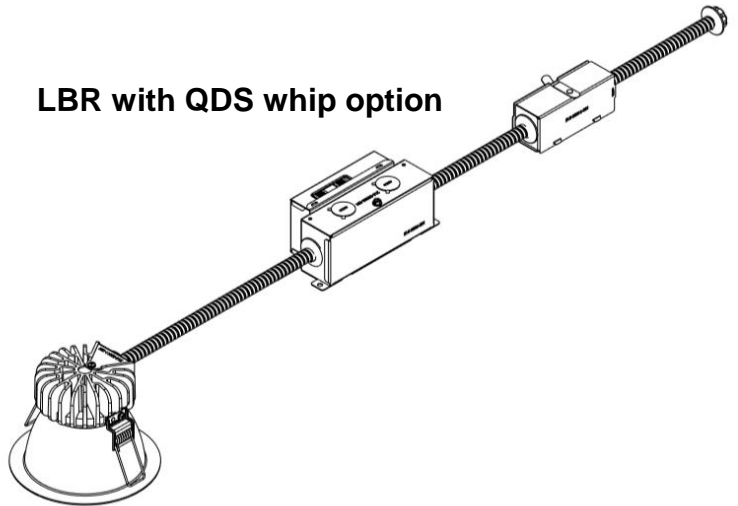
Type	Series	Aperture	Trim Flange OD	Min ceiling opening	Ceiling Thickness	Max ceiling opening	Max Ceiling Opening with Goof Ring	Overall Goof Ring OD
ROUND	LBR4	4-1/4"	5-7/16"	4-1/2"	1/2"	5-1/8"	5-1/8"	7-1/4"
					1-1/2"		5-3/4"	
	LBR6	5-5/16"	7-5/8"	5-3/4"	1/2"	7-1/8"	7-1/8"	9-1/4"
					1-1/2"	7-3/8"	7-1/2"	
	LBR8	7-1/6"	9-3/16"	7-3/4"	1/2"	8-7/8"	9-1/4"	11-1/4"
					1-1/2"		9-5/8"	
SQUARE	LBR4	4-1/4"	5-7/16"	4-1/2"	1/2"-1-1/2"	5-1/8"	NA	NA
	LBR6	6-1/4"	7-1/2"	6-1/2"	1/2"-1-1/2"	7-1/4"	NA	NA

B) Identification of LBR Luminaires

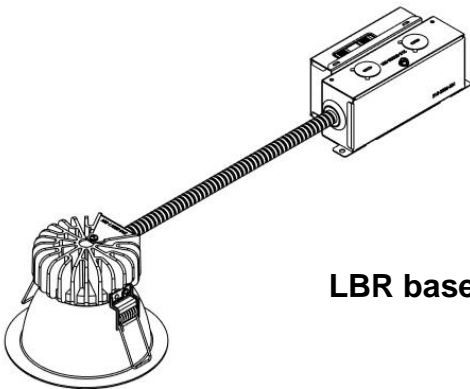
LBR with EC1/EC6 whip option



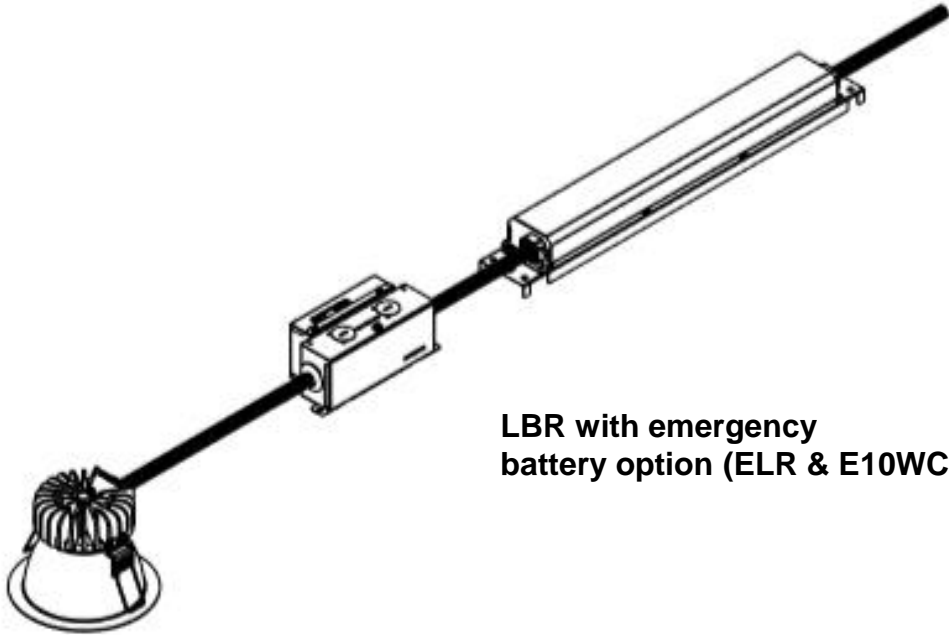
LBR with QDS whip option



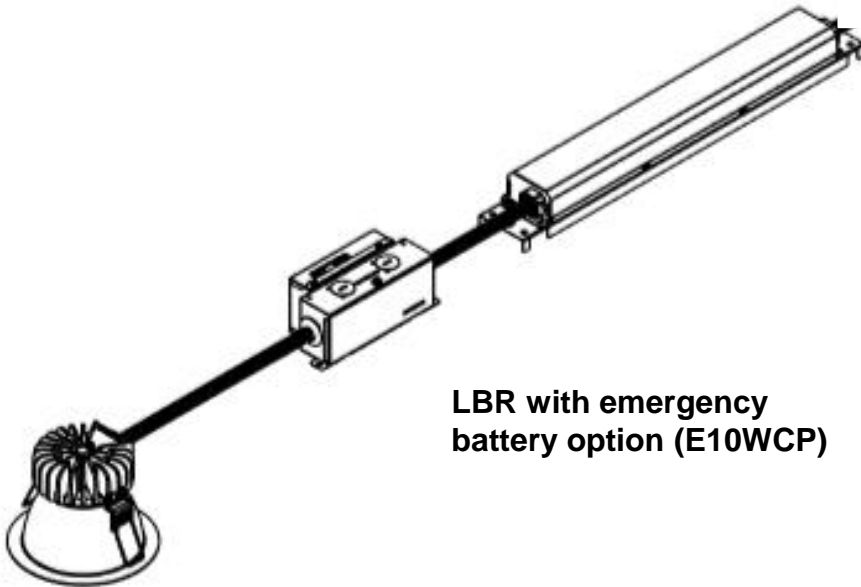
LBR base fixture



B) Identification of LBR Luminaires



**LBR with emergency
battery option (ELR & E10WCPR)**

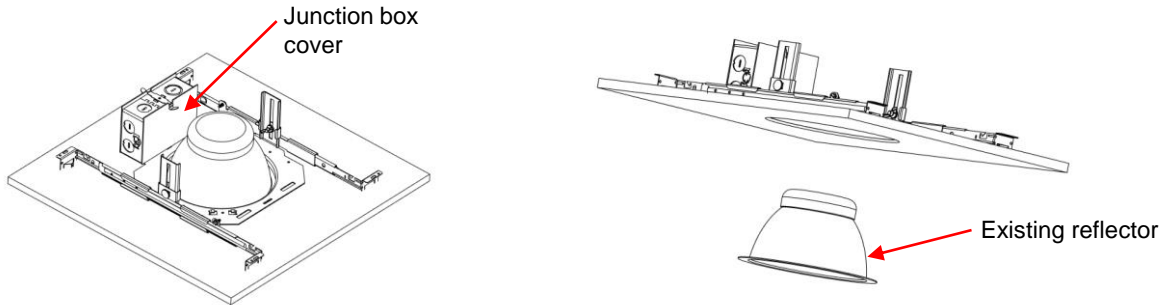


**LBR with emergency
battery option (E10WCP)**

C) LBR with EC1/EC6 whip option installation

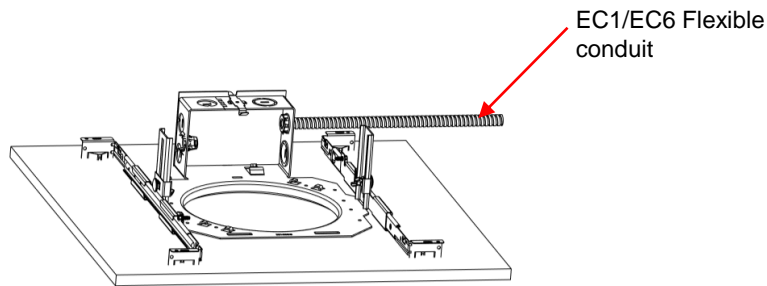
1

Remove existing lamp, reflector, reflector retention clips, and ballast. Leaving building supply and dimming wires in place.



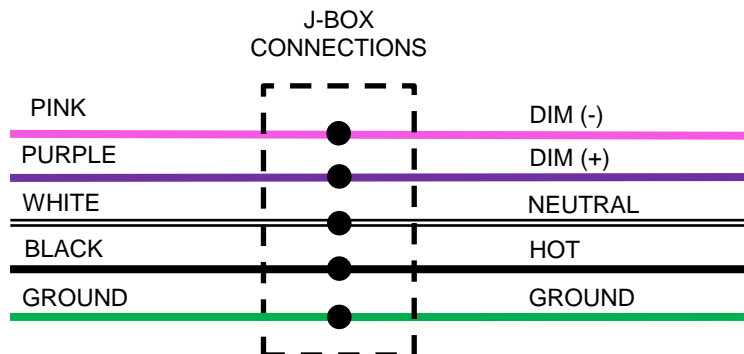
2

Remove the cover from the existing junction box. Connect the LBR EC1/EC6 flexible conduit into an open knock-out.



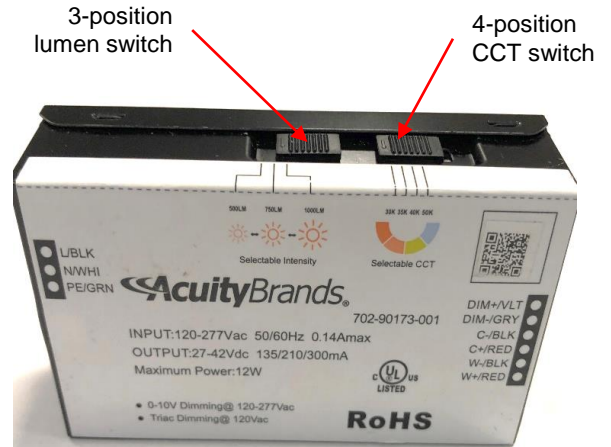
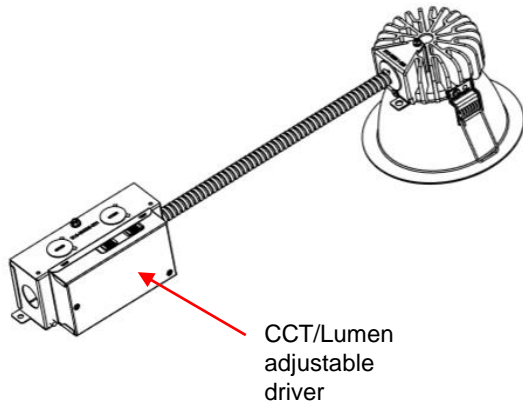
3

Make the proper supply and dimming wire connections. Bypassing any thermal device. Reinstall junction box cover.

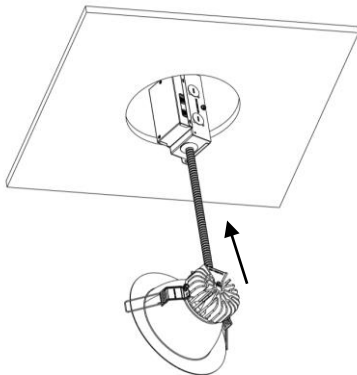


C) LBR with EC1/EC6 whip option installation– continued...

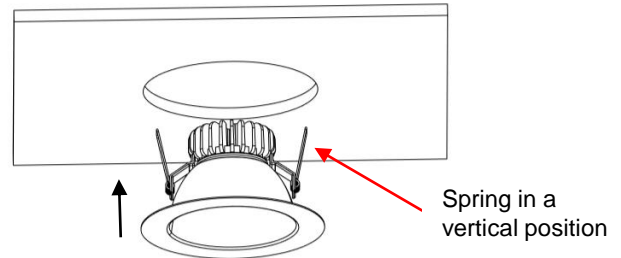
4 For switchable product, adjust driver CCT and lumen outputs to the desired position.



5 Thread the driver housing into the ceiling cut-out and rest onto an existing frame or ceiling.

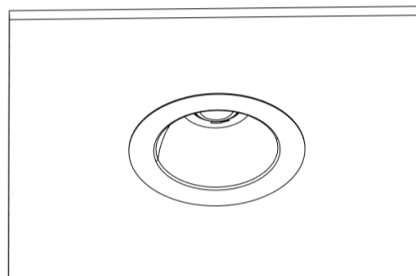


6 Rotate the springs into an upright vertical position. Insert the fixture into the ceiling cut-out and carefully release the springs.



Warning: Do not place hand underneath springs during removal process. Snapping of the springs can cause hand injuries.

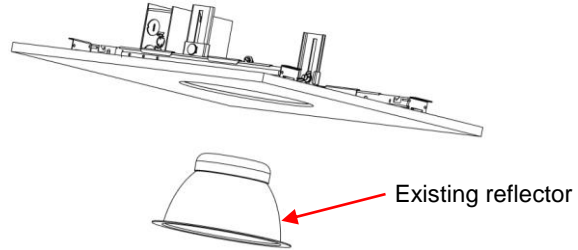
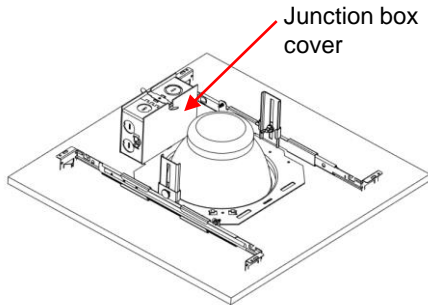
7 Verify the reflector trim in flush with ceiling and centered in the opening.



D) LBR with QDS whip option installation

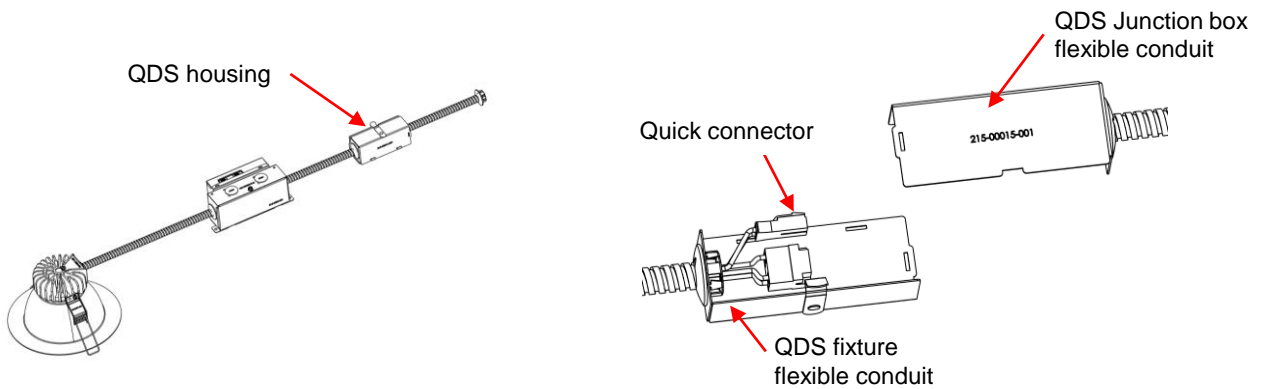
1

Remove existing lamp, reflector, reflector retention clips, and ballast. Leaving building supply and dimming wires in place.



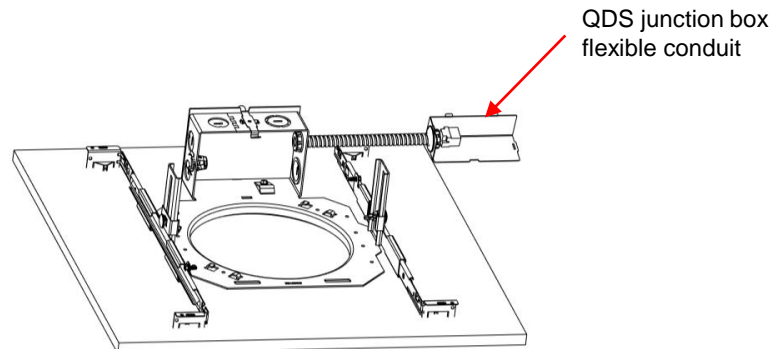
2

Disassemble the QDS housing and the quick connectors.



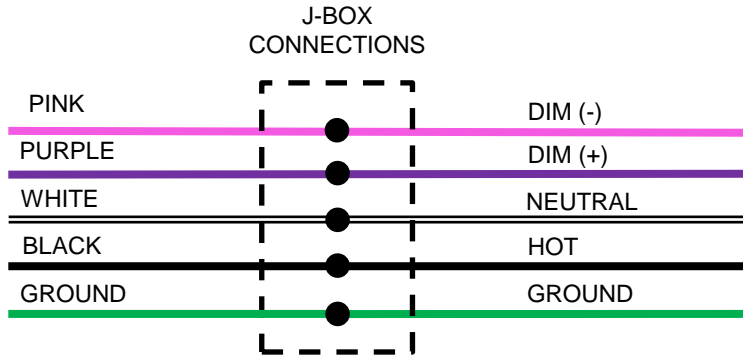
3

Remove the cover from the existing junction box. Connect the QDS junction box flexible conduit into an open knock-out.

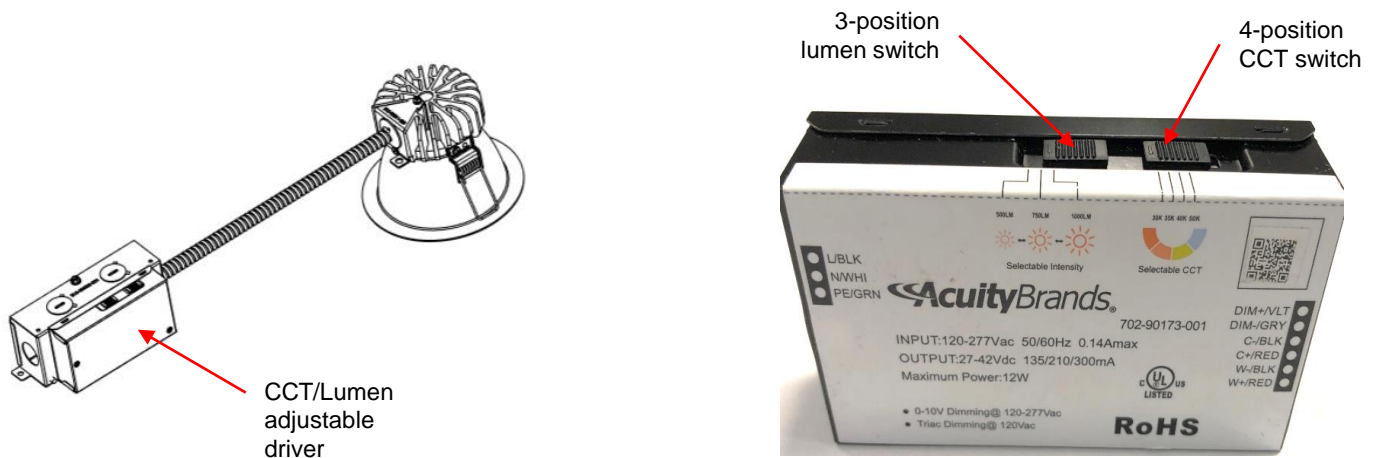


D) LBR with QDS whip option installation– continued...

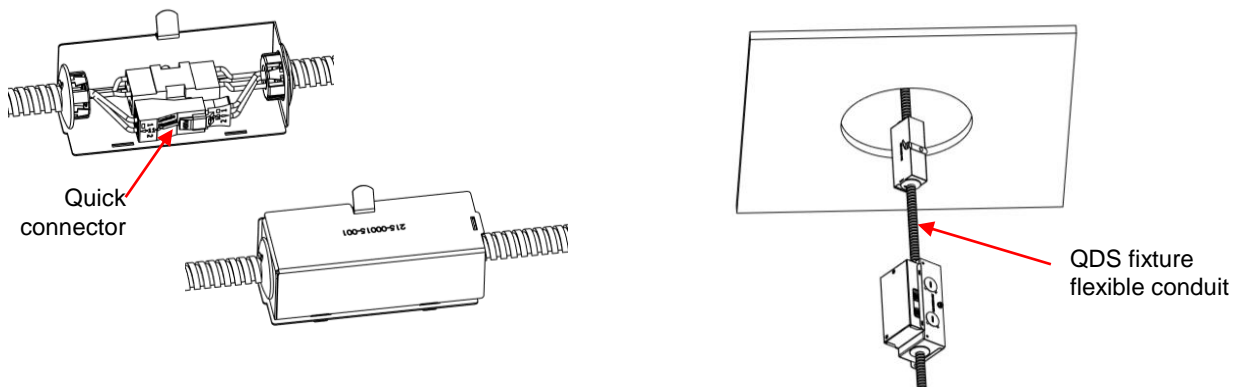
- 3** Make the proper supply and dimming wire connections. Bypassing any thermal device. Reinstall junction box cover.



- 4** For switchable product, adjust driver CCT and lumen outputs to the desired position.

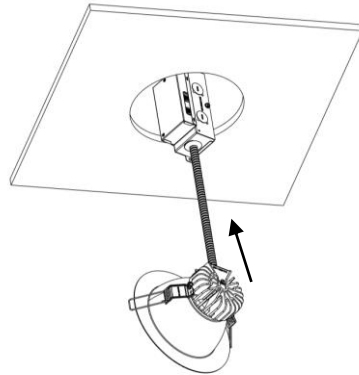


- 5** Reassemble QDS junction box flexible conduit to the mating QDS fixture flexible conduit by connecting the quick connectors and QDS housing.

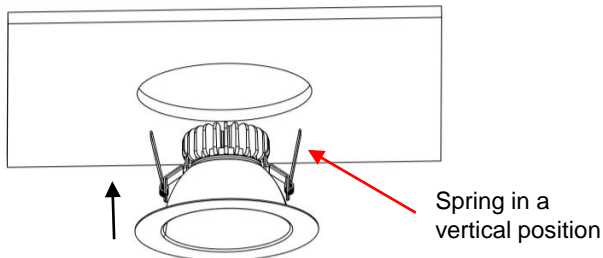


D) LBR with QDS whip option installation– continued...

- 6** Thread the driver housing into the ceiling cut-out and rest onto an existing frame or ceiling.

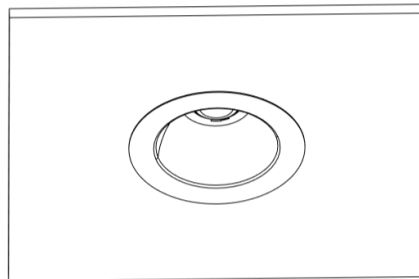


- 7** Rotate the springs into an upright vertical position. Insert the fixture into the ceiling cut-out and carefully release the springs.



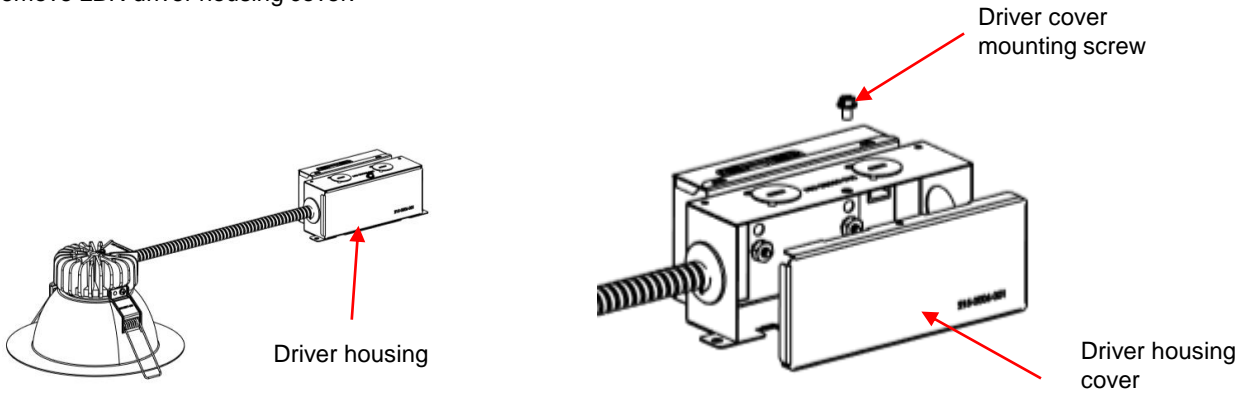
Warning: Do not place hand underneath springs during removal process. Snapping of the springs can cause hand injuries.

- 8** Verify the reflector trim in flush with ceiling and centered in the opening.

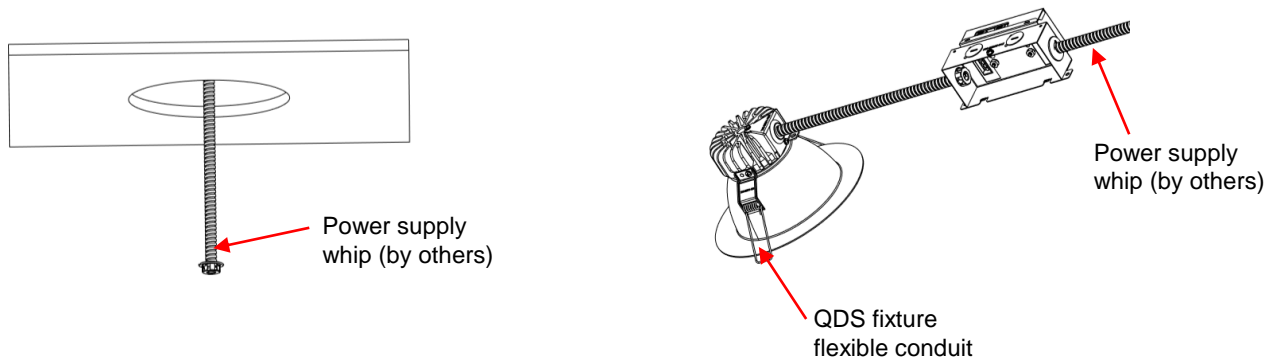


E) LBR base fixture installation

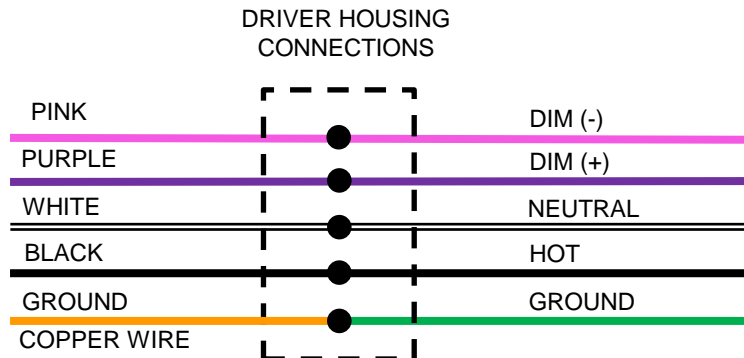
1 Remove LBR driver housing cover.



2 Connect power supply whip from existing junction box to the LBR driver housing.

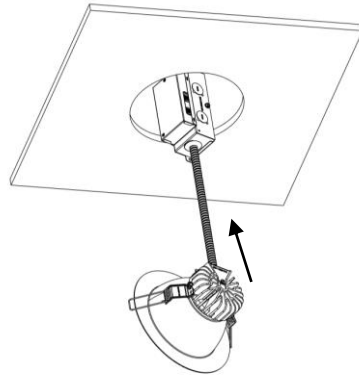


3 Make the proper supply and dimming wire connections. Reinstall driver housing cover.

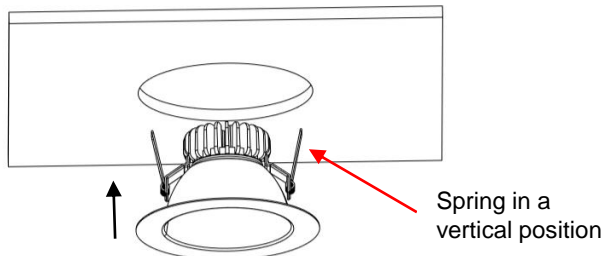


E) LBR base fixture installation – continued...

- 4** Thread the driver housing into the ceiling cut-out and rest onto an existing frame or ceiling.

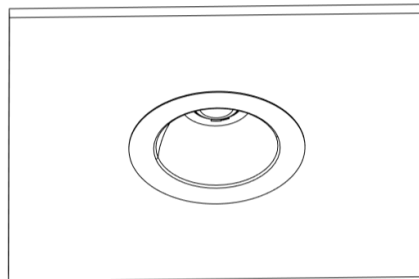


- 5** Rotate the springs into an upright vertical position. Insert the fixture into the ceiling cut-out and carefully release the springs.



Warning: Do not place hand underneath springs during removal process. Snapping of the springs can cause hand injuries.

- 6** Verify the reflector trim in flush with ceiling and centered in the opening.



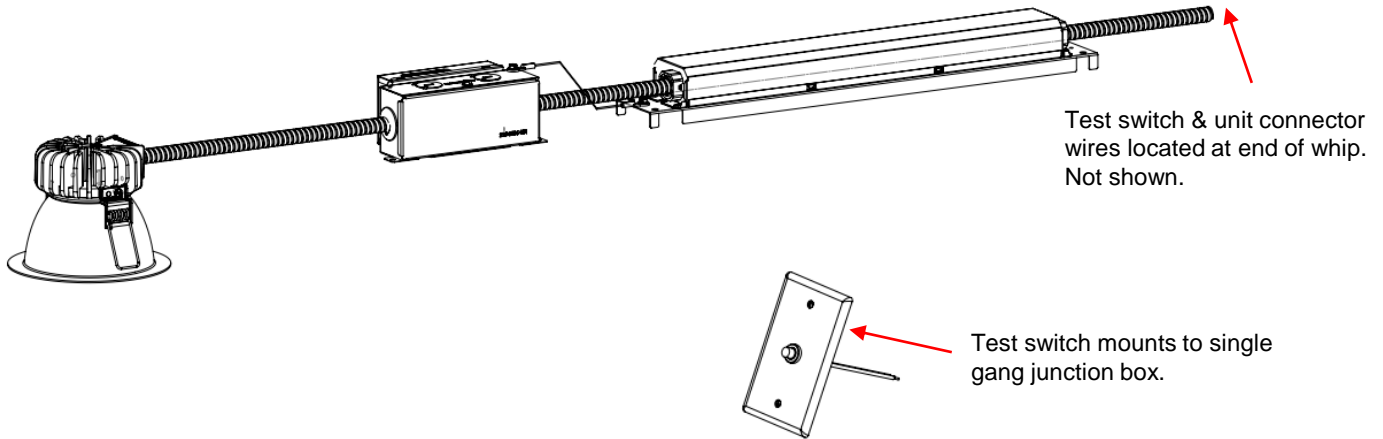
F) LBR with ELR and E10WCPR option installation

Note:

Top access or 17 ½" of plenum height required for installation.

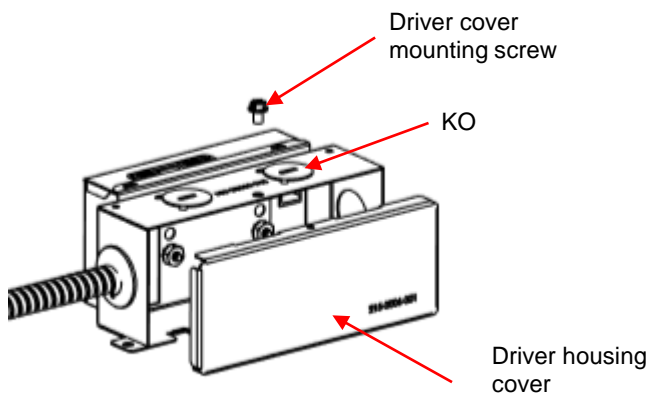
1

Determine mounting location of remote test switch. Test switch is to be mounted in a single gang junction box (by others). Install single gang box into ceiling next to the fixture.



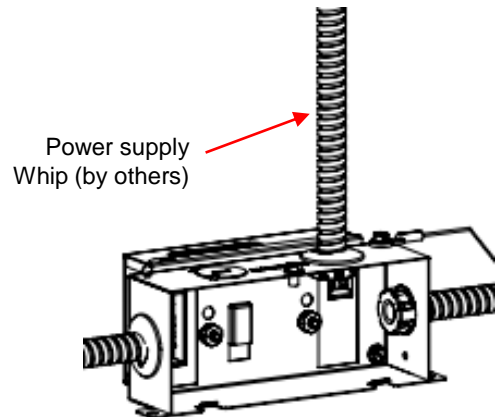
2

Remove LBR driver housing cover.



3

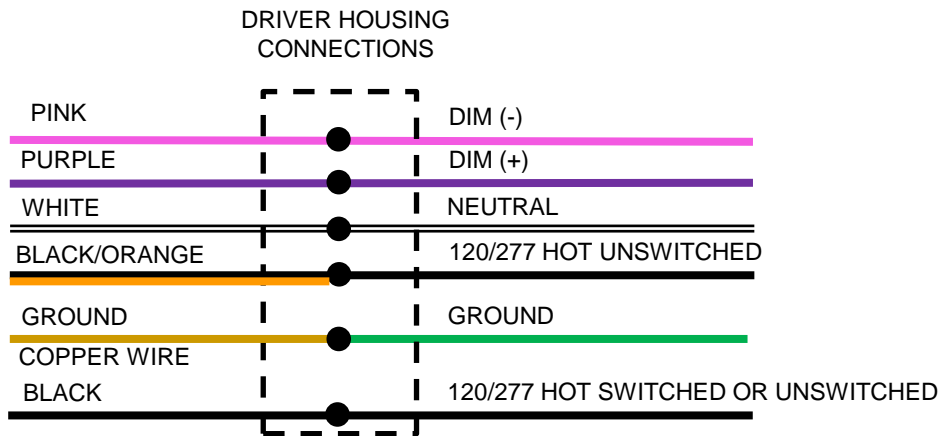
Remove KO from driver housing and connector supply whip.



F) LBR with ELR and E10WCPR option installation – continued...

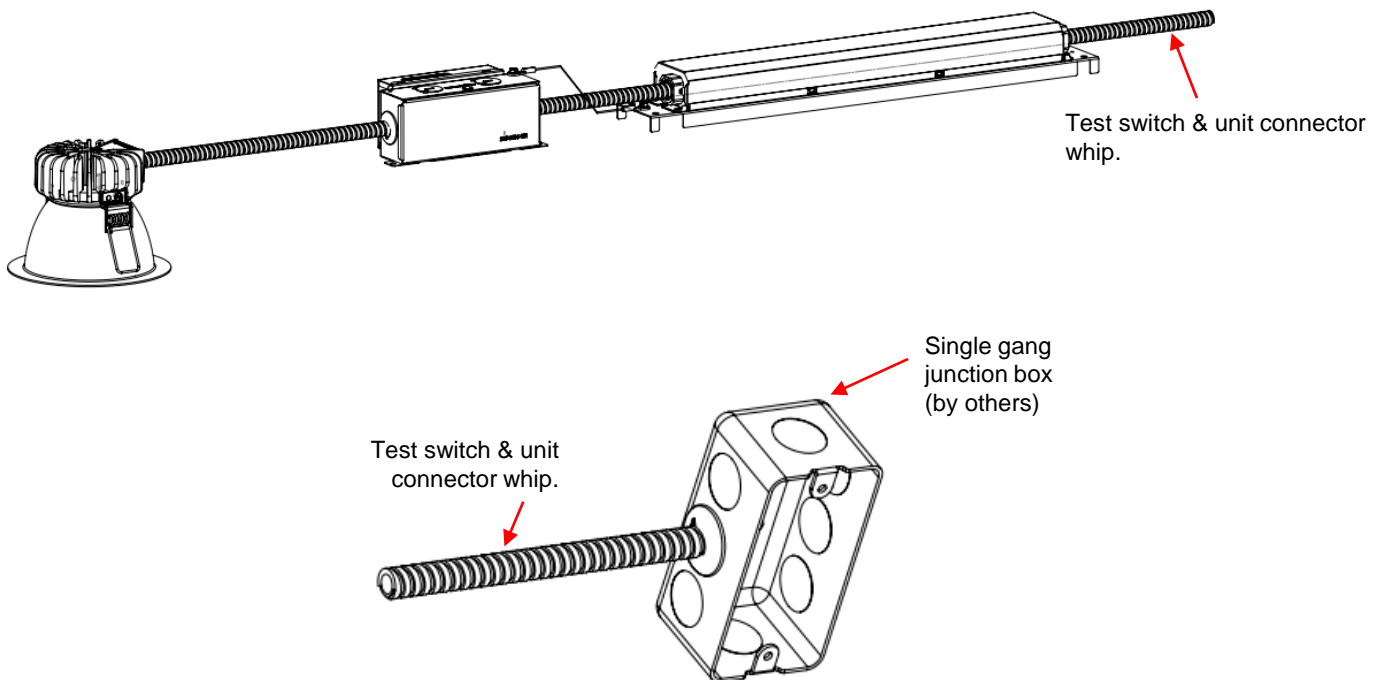
4

Make the proper supply and dimming wire connections. See IOTA emergency battery installation instructions for more detailed wiring information. Reinstall driver housing cover.



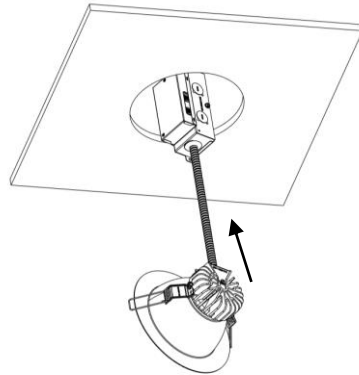
5

Thread the emergency battery test switch and unit connector whip into the ceiling opening. Connect whip to the single gang junction box..

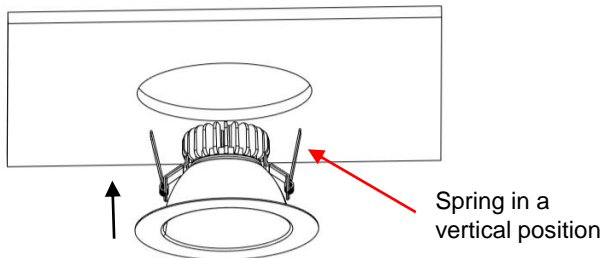


F) LBR with ELR and E10WCPR option installation – continued...

- 6** Thread the emergency battery and driver housing into the ceiling cut-out and rest onto an existing frame or ceiling.

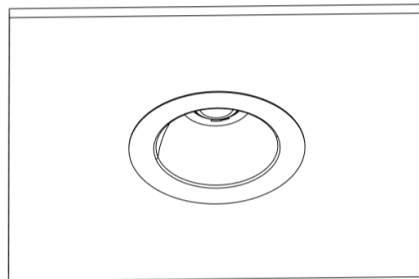


- 7** Rotate the springs into an upright vertical position. Insert the fixture into the ceiling cut-out and carefully release the springs.



Warning: Do not place hand underneath springs during removal process. Snapping of the springs can cause hand injuries.

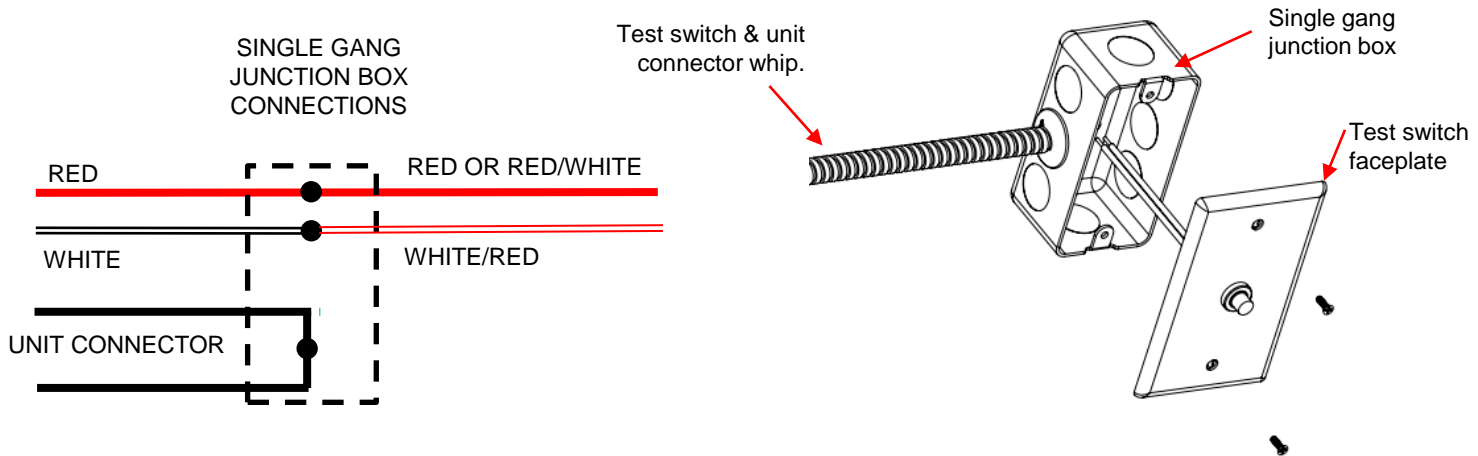
- 8** Verify the reflector trim in flush with ceiling and centered in the opening.



F) LBR with ELR and E10WCPR option installation – continued...

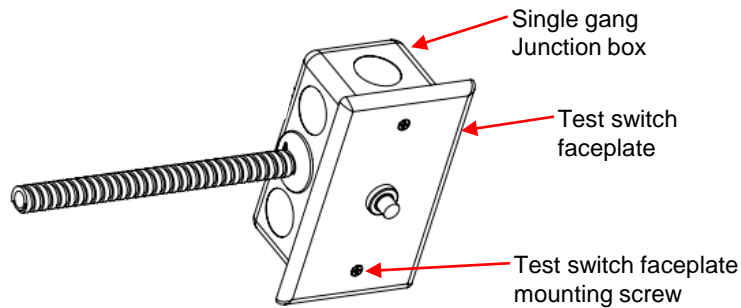
6

Make the proper test switch connection. Mate the unit connector, the electrical system is now complete.



7

Fasten the faceplate to the single gang junction box with the mounting screws.



G) LBR with E10WCP option installation

Note:

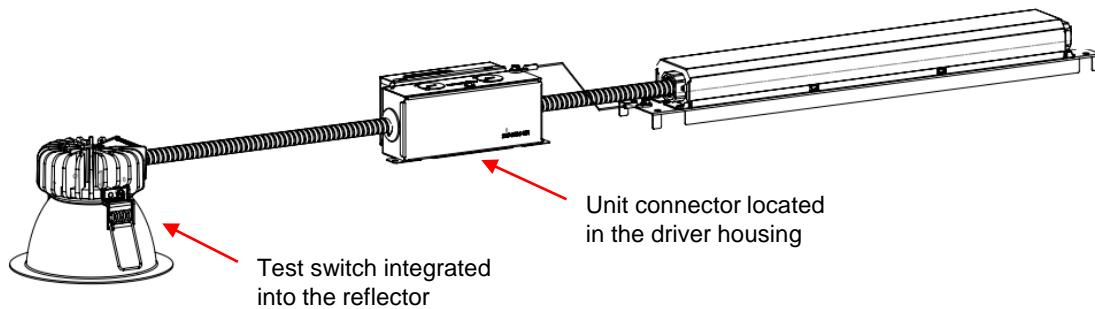
Top access or 17 ½" of plenum height required for installation.

1

See section F for general instructions for installing a LBR with a emergency battery.

2

The E10WCP battery has the test switched integral to the reflector and the unit connector located in the driver housing.



VEUILLEZ LIRE ET RESPECTER TOUTES LES INSTRUCTIONS DE SÉCURITÉ! CONSERVEZ CES INSTRUCTIONS ET REMETTEZ-LES AU PROPRIÉTAIRE APRÈS L'INSTALLATION

- Afin de réduire les risques de blessure, d'accident mortel ou de dommage matériel en raison d'un incendie, d'électrocution, de chute de pièces, de coupure ou d'abrasion ou de tout autre type de risque, il est essentiel de lire toutes les instructions et tous les avertissements compris dans et sur la boîte du luminaire ainsi que sur toutes les étiquettes.
- Avant l'installation ou l'entretien particulier ou de routine de cet équipement, veuillez tenir compte de ces précautions générales.
- L'installation, les réparations et l'entretien des luminaires ne devraient être effectués que par un **électricien accrédité et qualifié**.
- L'entretien doit être effectué par des personnes qui connaissent bien la fabrication et l'utilisation des luminaires et tous les risques qu'ils comportent. Il est recommandé de mettre en place des programmes périodiques d'entretien.
- À l'occasion, il sera nécessaire de nettoyer la partie extérieure du réflecteur ou de la lentille. La fréquence du nettoyage dépend de la saleté présente dans l'environnement et du rendement lumineux minimal acceptable pour l'utilisateur. Le réflecteur et la lentille doivent être lavés dans une solution d'eau tiède avec un détergent ménager doux et non abrasif, rincés à l'eau claire, puis essuyés avant d'être séchés. En cas d'accumulation de saleté à l'intérieur de l'assemblage optique, essuyer le réflecteur ou la lentille et nettoyer comme indiqué ci-dessus, en remplaçant les joints endommagés au besoin.
- **N'INSTALLER AUCUN PRODUIT ENDOMMAGÉ!** Ce luminaire a été adéquatement emballé, de sorte qu'aucune pièce ne devrait avoir subi de dommage pendant le transport. Inspecter toutes les pièces pour vérifier qu'elles sont en bon état. Toute pièce endommagée ou brisée pendant ou après l'assemblage doit être remplacée.
- Recyclage : Pour obtenir des renseignements sur la manière de recycler les produits électroniques à DEL, veuillez visiter le site www.epa.gov.
- Ces instructions ne sont pas censées traiter de tous les détails ou de toutes les variations de l'équipement. Elles ne fournissent pas les informations sur toutes les éventualités possibles en ce qui concerne l'installation, l'utilisation ou l'entretien. Pour obtenir plus d'informations ou pour résoudre des problèmes qui sont insuffisamment traités dans les consignes de sécurité par rapport aux besoins de l'acheteur ou du propriétaire, veuillez soumettre ces questions à Acuity Brands Lighting, Inc.



AVERTISSEMENT RISQUE D'ÉLECTROCUTION

- ✓ Débrancher ou couper l'alimentation électrique avant l'installation ou l'entretien.
- ✓ Vérifier que la tension d'alimentation est adéquate en la comparant avec les informations imprimées sur l'étiquette du luminaire.
- ✓ Effectuer l'ensemble des raccordements électriques et des mises à la terre conformément au Code national de l'électricité (CNE) et à toutes les exigences des codes locaux applicables.
- ✓ Tous les raccordements câblés doivent être isolés avec des connecteurs reconnus et certifiés UL.



AVERTISSEMENT RISQUE DE BRÛLURE

- ✓ Laisser la lampe ou le luminaire refroidir avant de manipuler. Ne pas toucher l'enceinte ou la source de lumière.
- ✓ Ne pas dépasser la puissance électrique maximum indiquée sur l'étiquette de la lampe.
- ✓ Respecter les avertissements, les recommandations et les restrictions du fabricant, notamment pour : le type de circuit, la position de fonctionnement, les méthodes et les endroits de montage, le remplacement et le recyclage.



MISE EN GARDE RISQUE DE BLESSURE

- ✓ Porter des gants et des lunettes de protection à tout moment pour sortir le luminaire de la boîte, l'installer, le réparer ou en faire l'entretien.
- ✓ Éviter le contact direct de la source de lumière avec les yeux lorsque le luminaire est allumé.



MISE EN GARDE RISQUE D'INCENDIE

- ✓ Maintenir toutes les matières combustibles ou susceptibles de brûler à l'écart des lampes et des optiques.
- ✓ Ne pas utiliser à proximité de personnes, de matériaux combustibles ou de substances affectées par la chaleur ou par le séchage.

**VEUILLEZ LIRE ET RESPECTER TOUTES LES INSTRUCTIONS DE SÉCURITÉ!
CONSERVEZ CES INSTRUCTIONS ET REMETTEZ-LES AU PROPRIÉTAIRE APRÈS L'INSTALLATION**

- Le nécessaire de modification est considéré comme un composant d'un luminaire pourvu que la pertinence de la combinaison soit confirmée par les autorités compétentes. Le produit doit être installé par un électricien qualifié conformément aux codes électriques applicables et appropriés. Le guide d'installation ne remplace pas les réglementations locales ou nationales en ce qui concerne les installations électriques.



**AVERTISSEMENT
RISQUE D'ÉLECTROCUTION**

- ✓ Installez ce nécessaire uniquement sur des luminaires ayant les caractéristiques de construction et les dimensions montrées dans les photographies ou les illustrations et seulement si sa consommation thermique ne dépasse pas la consommation thermique du luminaire.
- ✓ L'installation du nécessaire de modification DEL requiert une certaine connaissance des systèmes électriques pour luminaires. Si vous n'avez pas les qualifications nécessaires, n'essayez pas d'effectuer l'installation. Communiquez avec un électricien qualifié.
- ✓ Pendant l'installation du nécessaire, ne faites pas de trous dans le boîtier de câblage ou dans les composants électriques et ne modifiez pas les trous existants.
- ✓ AVERTISSEMENT : pour éviter les dommages de câblage ou les abrasions, n'exposez pas le câblage à des bords de tôle ou à d'autres objets tranchants.



ATTENTION : RISQUE

- ✓ Ne jamais connecter des composants sous tension.
- ✓ Ne pas installer ces luminaires d'une manière qui pourrait couper la gaine extérieure ou endommager l'isolation des câbles.
- ✓ Les commandes pour la gradation, l'autodétection ou la télécommande d'un luminaire qui ne sont pas câblées en usine doivent être vérifiées avant l'installation. Les luminaires DEL doivent être alimentés directement hors d'un circuit à interrupteur.
- ✓ À moins que des spécifications particulières applicables au produit ne l'exigent : Ne pas limiter la ventilation du luminaire. Laisser un espace libre suffisant autour du luminaire. Éviter de couvrir les luminaires DEL avec un isolant, de la mousse ou tout autre matériau pouvant limiter le refroidissement par conduction ou par convection.
- ✓ À moins que des spécifications particulières applicables au produit ne l'exigent : Ne pas dépasser la température ambiante maximale à laquelle le luminaire peut être exposé.
- ✓ N'utiliser le luminaire qu'à son emplacement prévu.
- ✓ Les produits à DEL sont sensibles à la polarité. S'assurer que la polarité est correcte avant de procéder à l'installation.
- ✓ Décharge électrostatique (DES) : Une DES peut endommager les luminaires à DEL. Un équipement personnel de mise à la terre doit être porté lors de tout montage ou de tout entretien de l'unité.
- ✓ Ne pas toucher les composants électriques individuels, car cela peut causer une DES, réduire la durée de vie de la lampe ou altérer son rendement.
- ✓ Certains composants internes des luminaires peuvent ne pas être réparables. Dans le cas peu probable où l'appareil aurait besoin d'une réparation, cesser immédiatement de l'utiliser et faire appel à un représentant ABL.
- ✓ Toujours lire toutes les instructions d'installation des appareils pour connaître tout avertissement propre à un appareil avant son installation.
- ✓ Toujours s'assurer que le système de distribution électrique répond aux exigences du NEC (et de tout code local applicable).
- ✓ Vérifier que le système de distribution électrique a une mise à la terre appropriée. Une mauvaise mise à la terre peut entraîner une défaillance du luminaire et annuler la garantie.

Choisissez la partie 15 OU la partie 18 et passez à la page 3 contenant les instructions d'installation et de livraison. Lithonia Outdoor utilise toujours la partie 15.

Tous les luminaires qui contiennent des dispositifs électroniques générant des fréquences supérieures à 9 kHz à partir d'un composant situé à l'intérieur du luminaire sont conformes à la partie 15 des règles de la Commission fédérale des communications. Le fonctionnement est assujéti aux deux conditions suivantes :

(1) Ce dispositif ne peut pas causer d'interférence nuisible

(2) Ce dispositif doit accepter n'importe quelle interférence reçue, y compris les interférences pouvant entraîner un fonctionnement non souhaité

Ce dispositif est conforme à la partie 18 des règles de la Commission fédérale des communications, mais peut provoquer des interférences avec les téléphones sans fil et portables, les radios, les télévisions et d'autres dispositifs électroniques. Pour remédier à ce problème, placer le dispositif à l'écart du luminaire ou le brancher à une prise différente. Ce produit peut provoquer des interférences avec le matériel radio et ne doit pas être installé près d'équipements de communication maritimes ou de tout autre équipement important de navigation ou de communication fonctionnant entre 0,45 et 30 MHz.

Le non-respect de ces instructions pourrait annuler les garanties du produit. Pour consulter la liste complète des conditions d'utilisation du produit, veuillez visiter le site www.acuitybrands.com.

Nos marques	Intérieur/extérieur	Éclairage intérieur	Éclairage extérieur	Commandes	Éclairage de jour
	Lithonia Lighting Carandini Holophane RELOC Light Concepts	Aculux Gotham Indy Juno Mark Architectural Lighting Peerless Renaissance Lighting Winona Lighting	American Electric Lighting Antique Street Lamps Hydrel Tersen	DARK TO LIGHT LC&D ROAM Sensor Switch Synergy	SunOptics

Acuity Brands Lighting, Inc. décline toute responsabilité pour les réclamations résultant d'une installation incorrecte ou d'une manipulation imprudente de ses produits.

Mises en garde générales ABL DEL, formulaire n °503.203 © 2010, 2016 Acuity Brands Lighting, Inc. Tous droits réservés. 01/12/2010

LBR

INSTRUCTIONS D'INSTALLATION

Ces instructions d'installation concernent les luminaires suivants.

LBR4	LBR4SQ
LBR6	LBR6SQ
LBR8	LBR10

LBR4WW	LBR4SQWW
LBR6WW	LBR6SQWW
LBR8WW	

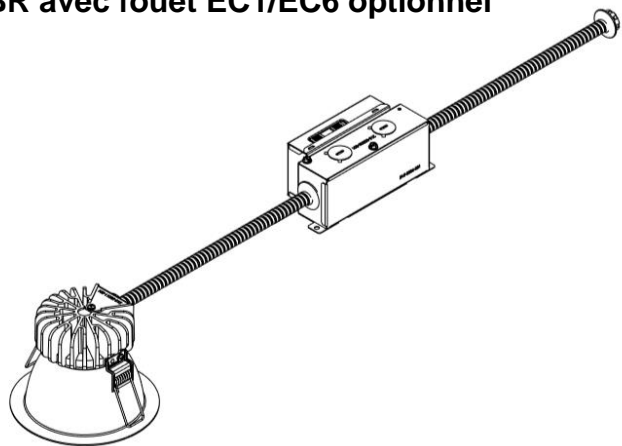
A) Tableau d'ouverture au plafond.....	Page 4
B) Identification des luminaires LBR.....	Page 5
C) LBR avec fouet EC1/EC6	Page 7
D) LBR avec fouet QDS	Page 9
E) Fixation de base LBR.....	Page 12
F) LBR avec batterie d'urgence (ELR et E10WCPR).....	Page 14
G) LBR avec batterie d'urgence (E10WCP).....	Page 18

A) Tableau d'ouverture au plafond

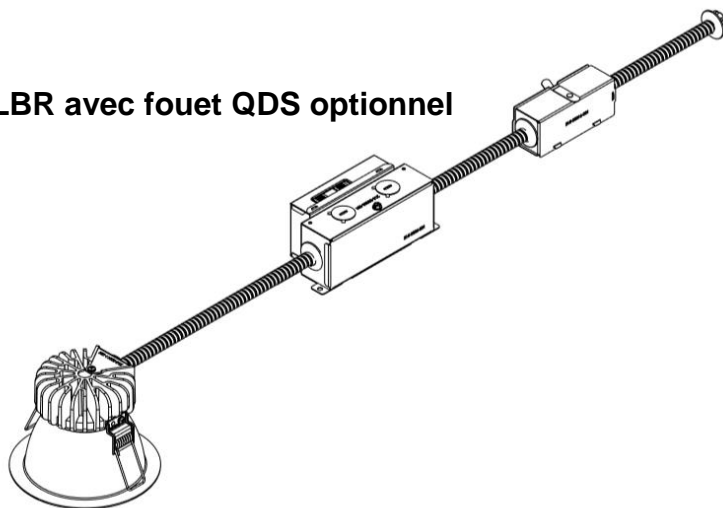
Type	Série	Ouverture	DE de bride de garniture	Ouverture au plafond minimale	Épaisseur du plafond	Ouverture au plafond maximale	Ouverture au plafond maximale avec anneau d'ajustement	DE global de l'anneau d'ajustement
FORME RONDE	LBR4	4-1/4 po	5-7/16 po	4-1/2 po	1/2 po	5-1/8 po	5-1/8 po	7-1/4 po
					1-1/2 po		5-3/4 po	
	LBR6	5-5/16 po	7-5/8 po	5-3/4 po	1/2 po	7-1/8 po	7-1/8 po	9-1/4 po
					1-1/2 po	7-3/8 po	7-1/2 po	
	LBR8	7-1/6 po	9-3/16 po	7-3/4 po	1/2 po	8-7/8 po	9-1/4 po	11-1/4 po
					1-1/2 po		9-5/8 po	
FORME CARRÉE	LBR4	4-1/4 po	5-7/16 po	4-1/2 po	1/2 po à 1-1/2 po	5-1/8 po	S.O.	S.O.
	LBR6	6-1/4 po	7-1/2 po	6-1/2 po	1/2 po à 1-1/2 po	7-1/4 po	S.O.	S.O.

B) Identification des luminaires LBR

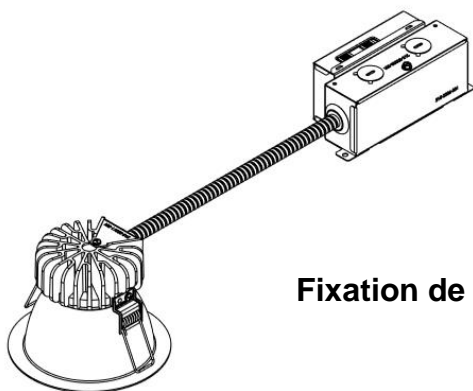
LBR avec fouet EC1/EC6 optionnel



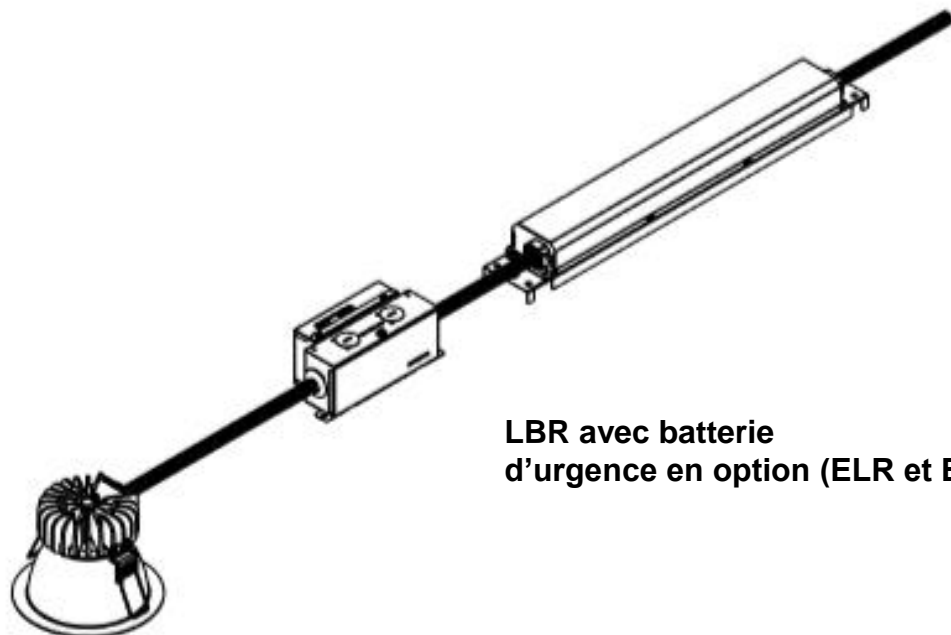
LBR avec fouet QDS optionnel



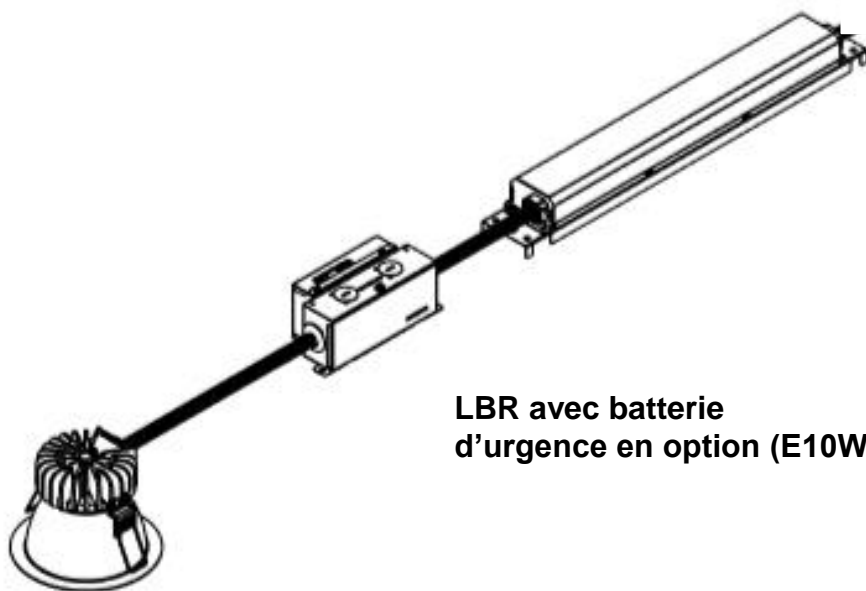
Fixation de base LBR



B) Identification des luminaires LBR



**LBR avec batterie
d'urgence en option (ELR et E10WCPR)**

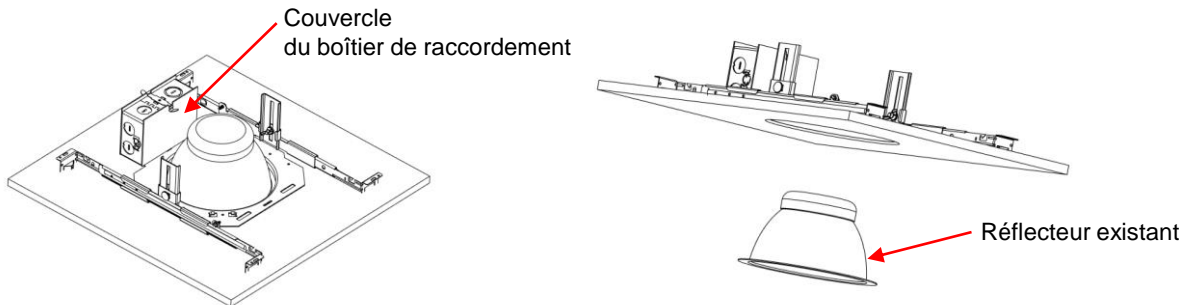


**LBR avec batterie
d'urgence en option (E10WCP)**

C) Installation de LBR avec fouet EC1/EC6 optionnel

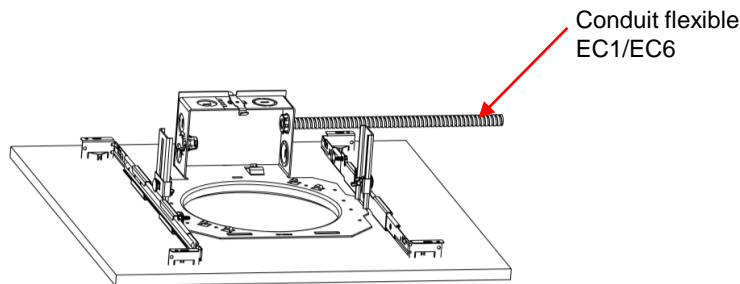
1

Retirer la lampe, le réflecteur, les clips de retenue du réflecteur et le ballast existants. Laisser l'alimentation du bâtiment et les fils de gradation en place.



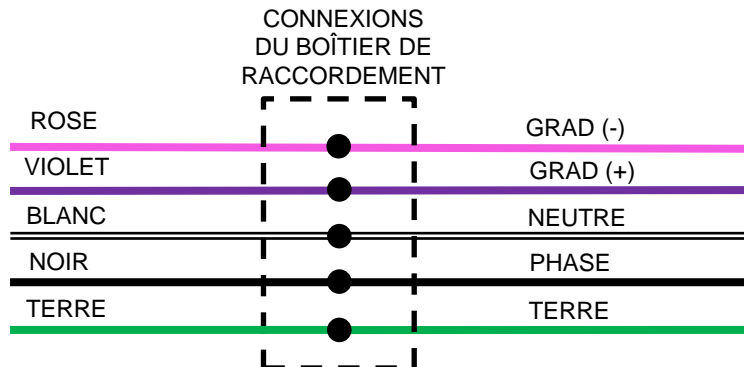
2

Retirer le couvercle du boîtier de raccordement existant. Connecter le conduit flexible LBR EC1/EC6 dans une entrée défonçable.



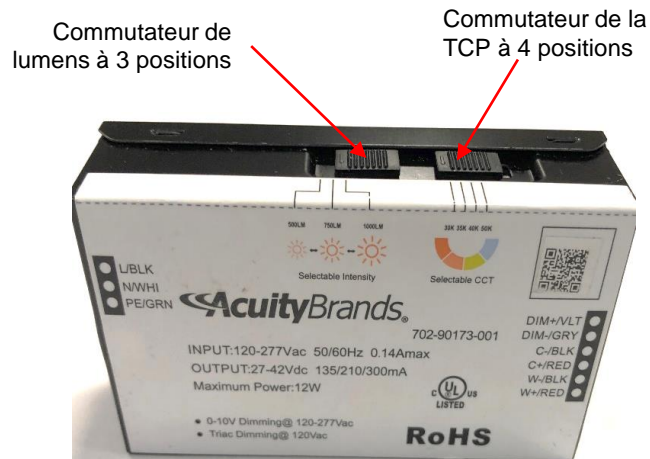
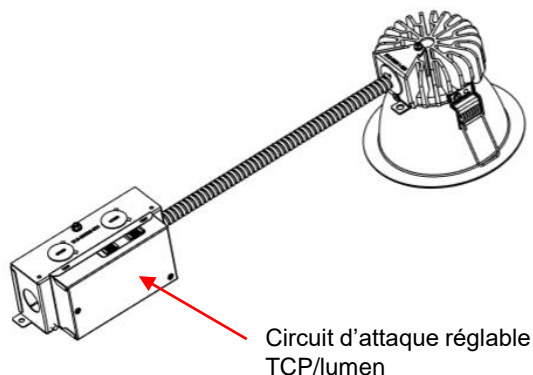
3

Effectuer le raccord approprié des câbles d'alimentation et de gradation. Contourner tout appareil thermique. Réinstaller le couvercle du boîtier de raccordement.

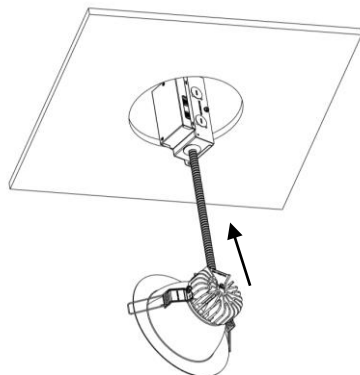


C) Installation de LBR avec fouet EC1/EC6 optionnel – suite

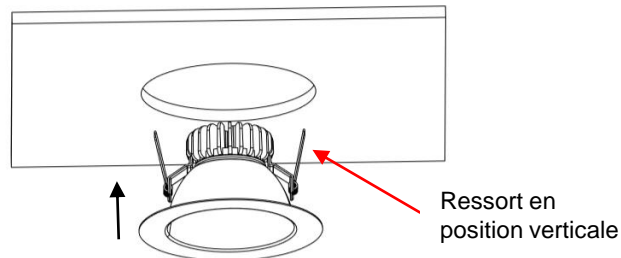
4 Pour tout produit commutable, régler la TCP du circuit d'attaque et le rendement en lumen à la position souhaitée.



5 Passer le boîtier du circuit d'attaque dans la découpe du plafond et le poser sur le cadre ou le plafond existant.

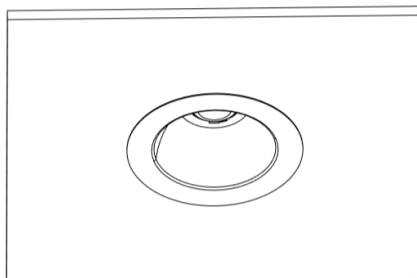


6 Faire pivoter les ressorts jusqu'en position verticale. Insérer la fixation dans la découpe du plafond et relâcher soigneusement les ressorts.



Avvertissement : Ne pas mettre votre main au-dessous de la pince à ressort pendant le processus de désinstallation. Le claquement des ressorts peut provoquer des blessures aux mains.

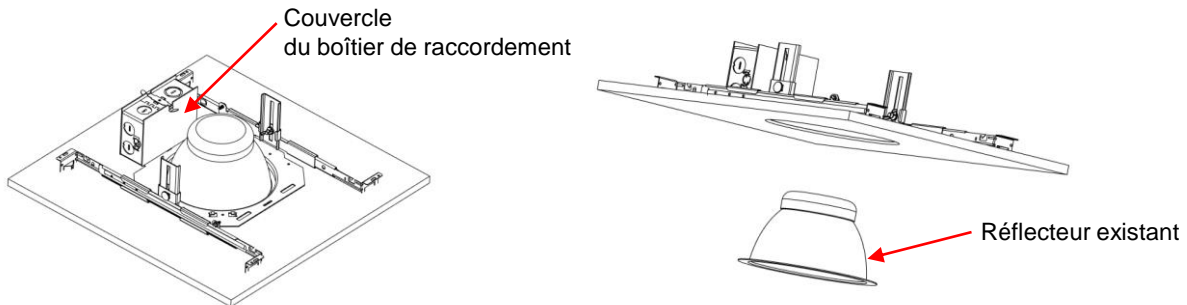
7 Vérifier que la garniture du réflecteur est alignée avec le plafond et centrée dans l'ouverture.



D) Installation de LBR avec fouet QDS optionnel

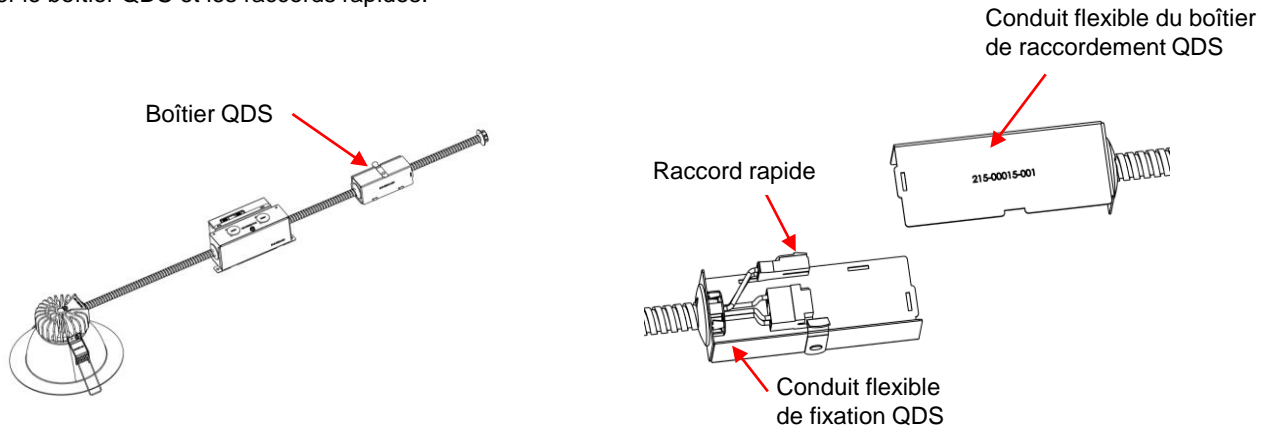
1

Retirer la lampe, le réflecteur, les clips de retenue du réflecteur et le ballast existants. Laisser l'alimentation du bâtiment et les fils de gradation en place.



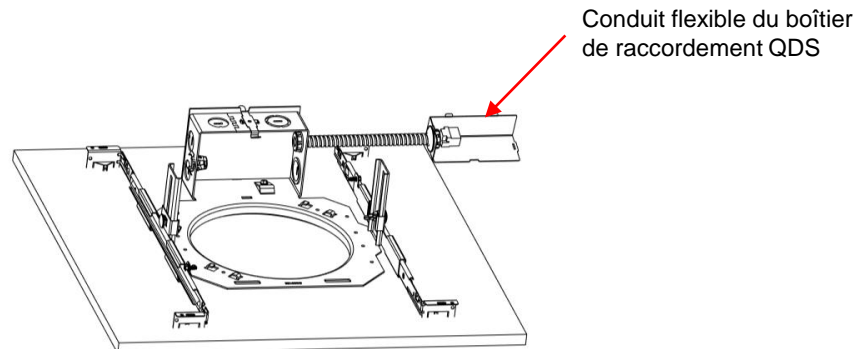
2

Démonter le boîtier QDS et les raccords rapides.



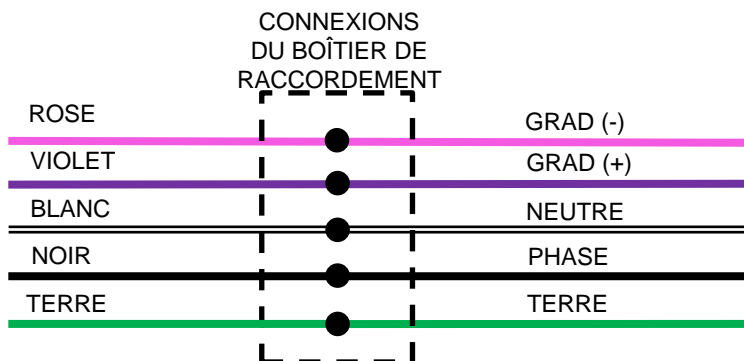
3

Retirer le couvercle du boîtier de raccordement existant. Connecter le conduit flexible du boîtier de raccordement QDS dans une entrée défonçable.

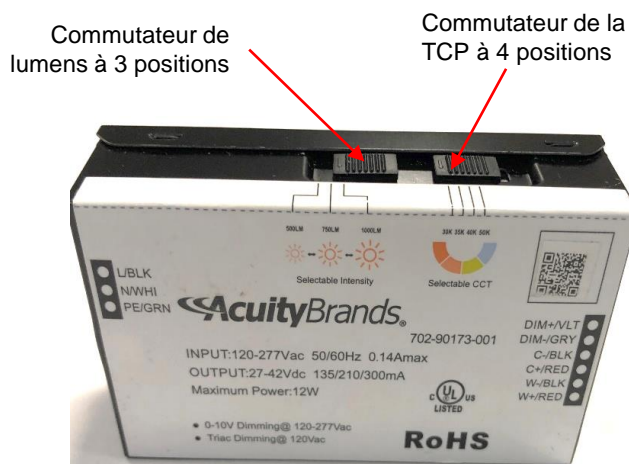
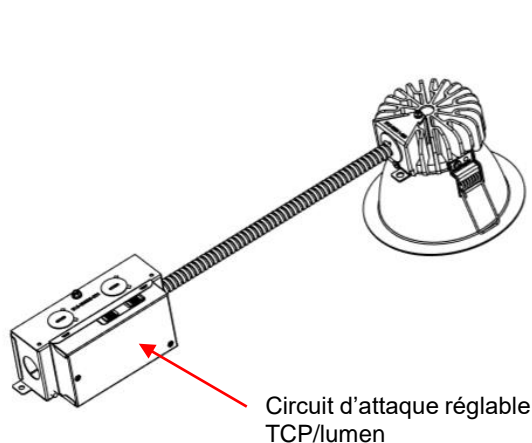


D) Installation de LBR avec fouet QDS optionnel – suite

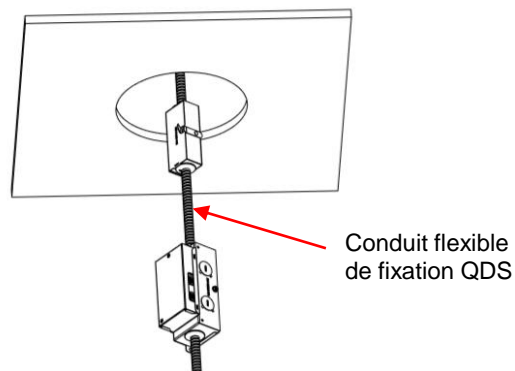
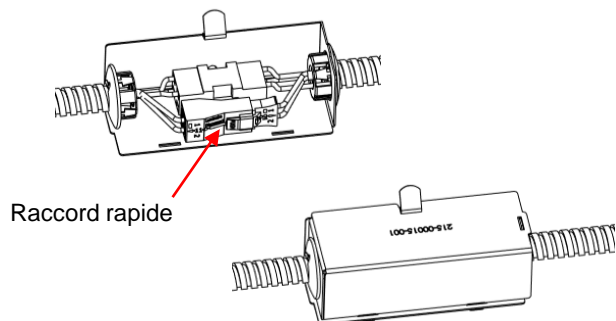
- 3** Effectuer le raccord approprié des câbles d'alimentation et de gradation. Contourner tout appareil thermique. Réinstaller le couvercle du boîtier de raccordement.



- 4** Pour tout produit commutable, régler la TCP du circuit d'attaque et le rendement en lumen à la position souhaitée.

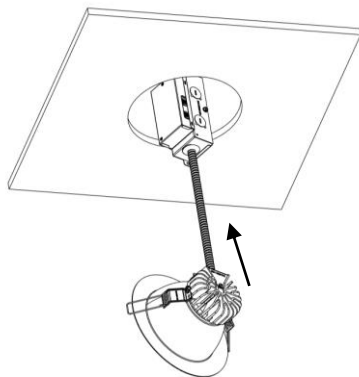


- 5** Raccorder le conduit flexible du boîtier de raccordement QDS au conduit flexible de la fixation QDS correspondant en connectant les raccords rapides et le boîtier QDS.

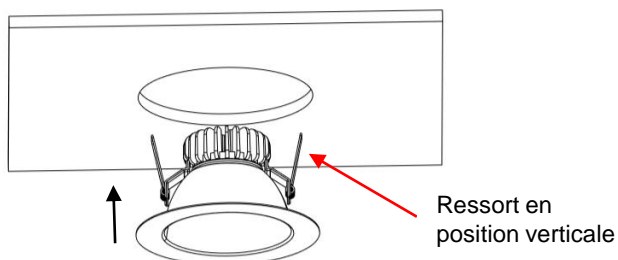


D) Installation de LBR avec fouet QDS optionnel – suite

- 6** Passer le boîtier du circuit d'attaque dans la découpe du plafond et le poser sur le cadre ou le plafond existant.

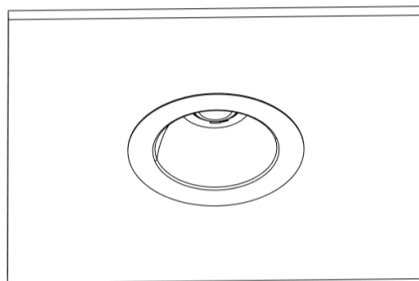


- 7** Faire pivoter les ressorts jusqu'en position verticale. Insérer la fixation dans la découpe du plafond et relâcher soigneusement les ressorts.



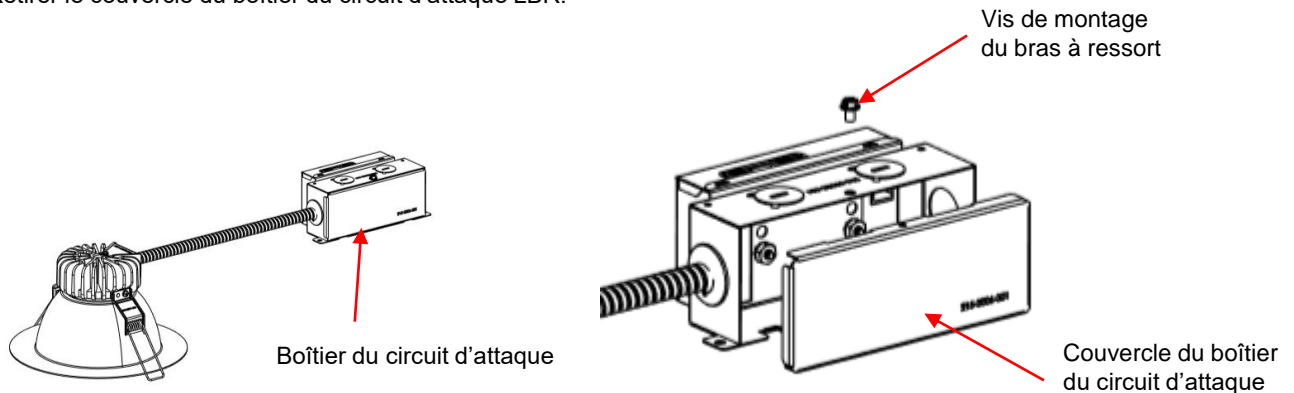
Avertissement : Ne pas mettre votre main au-dessous de la pince à ressort pendant le processus de désinstallation. Le claquement des ressorts peut provoquer des blessures aux mains.

- 8** Vérifier que la garniture du réflecteur est alignée avec le plafond et centrée dans l'ouverture.

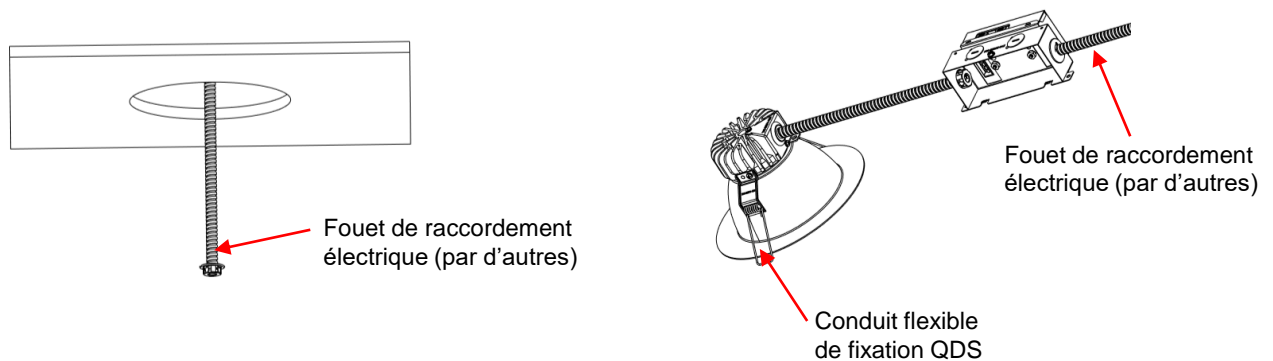


E) Installation de la fixation de base LBR

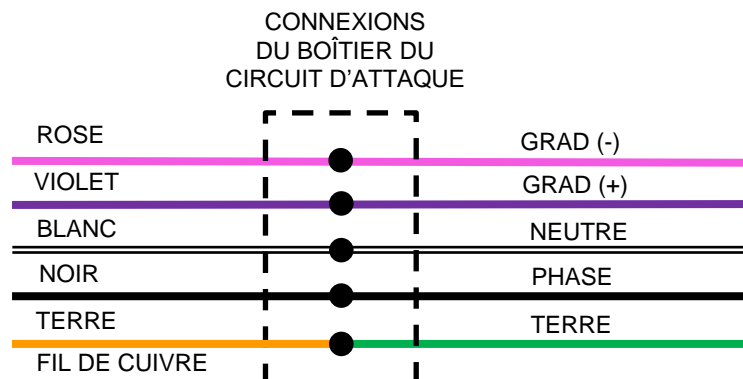
- 1** Retirer le couvercle du boîtier du circuit d'attaque LBR.



- 2** Connecter le fouet de raccordement électrique du boîtier de raccordement existant au boîtier du circuit d'attaque LBR.

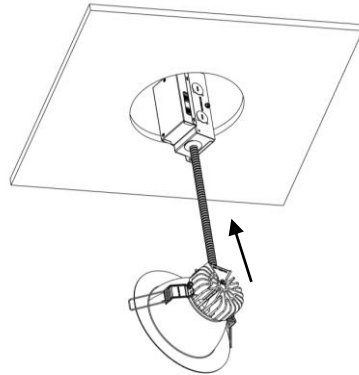


- 3** Effectuer le raccord approprié des câbles d'alimentation et de gradation. Réinstaller le couvercle du boîtier du circuit d'attaque.

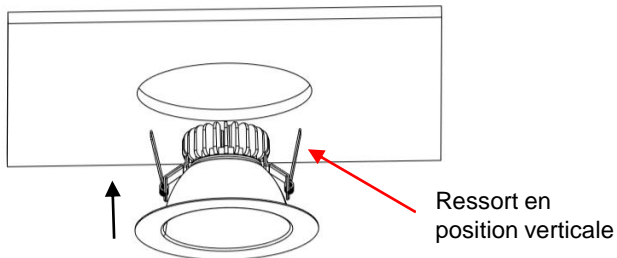


E) Installation de la fixation de base LBR – suite

- 4 Passer le boîtier du circuit d'attaque dans la découpe du plafond et le poser sur le cadre ou le plafond existant.

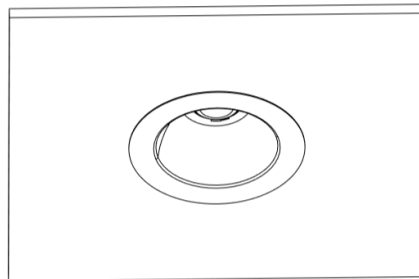


- 5 Faire pivoter les ressorts jusqu'en position verticale. Insérer la fixation dans la découpe du plafond et relâcher soigneusement les ressorts.



Avertissement : Ne pas mettre votre main au-dessous de la pince à ressort pendant le processus de désinstallation. Le claquement des ressorts peut provoquer des blessures aux mains.

- 6 Vérifier que la garniture du réflecteur est alignée avec le plafond et centrée dans l'ouverture.



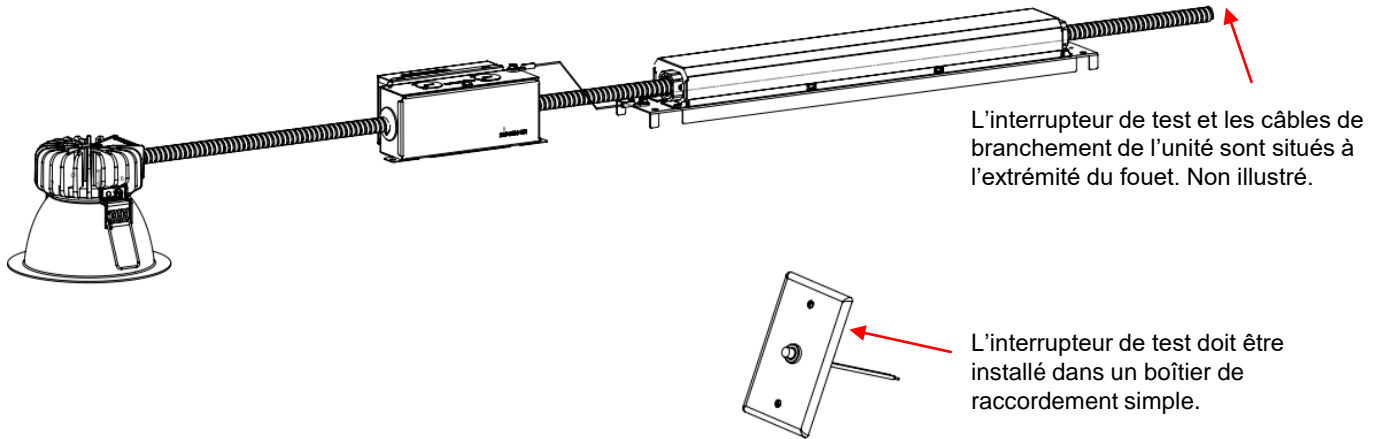
F) Installation de LBR et E10WCPR avec l'option ELR

Remarque :

Accès par le haut ou 17-1/2 po de hauteur du plénum requis pour l'installation.

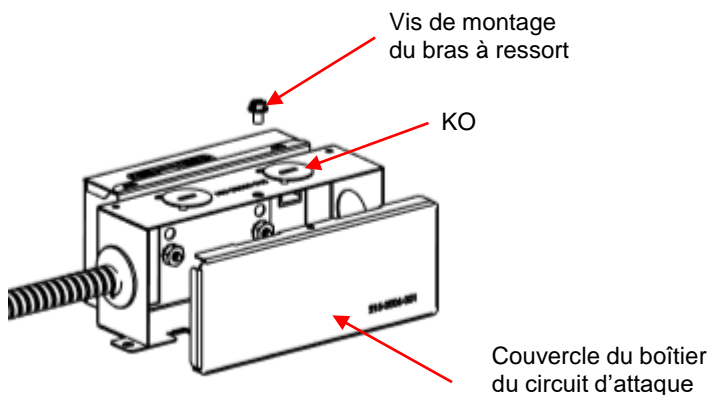
1

Déterminer l'emplacement de l'interrupteur de test à distance. L'interrupteur de test doit être installé dans un boîtier de raccordement simple (fabricants tiers). Installer le boîtier simple sur le plafond, à côté du luminaire.



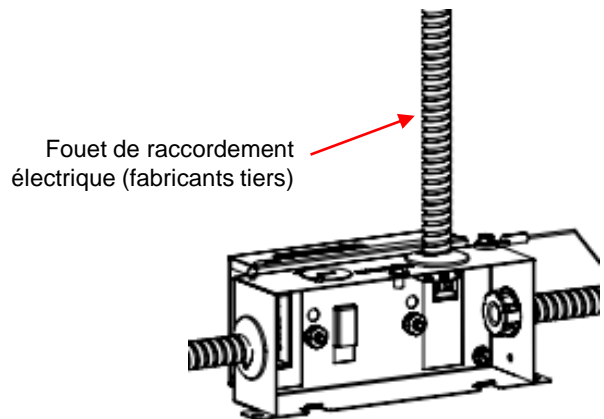
2

Retirer le couvercle du boîtier du circuit d'attaque LBR.



3

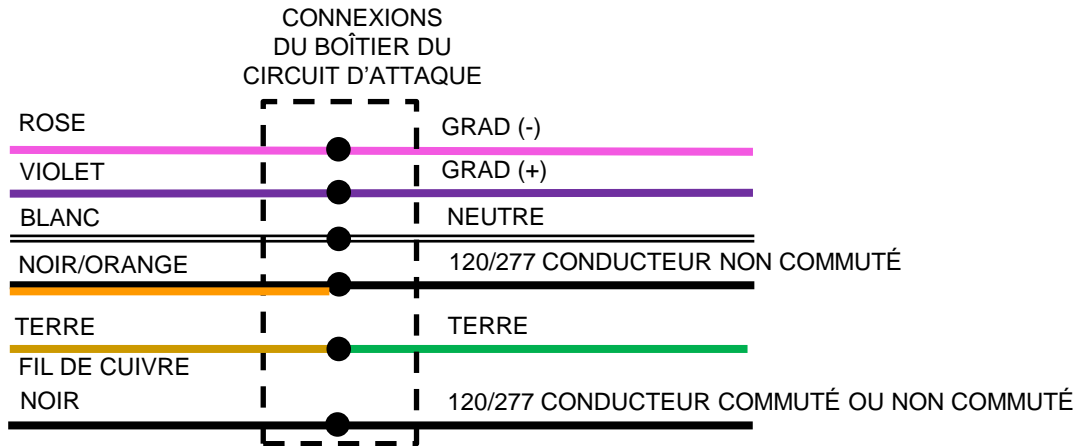
Retirer le couvercle du boîtier du circuit d'attaque KO et le fouet de raccordement électrique du connecteur.



F) Installation de LBR et E10WCPR avec l'option ELR – suite

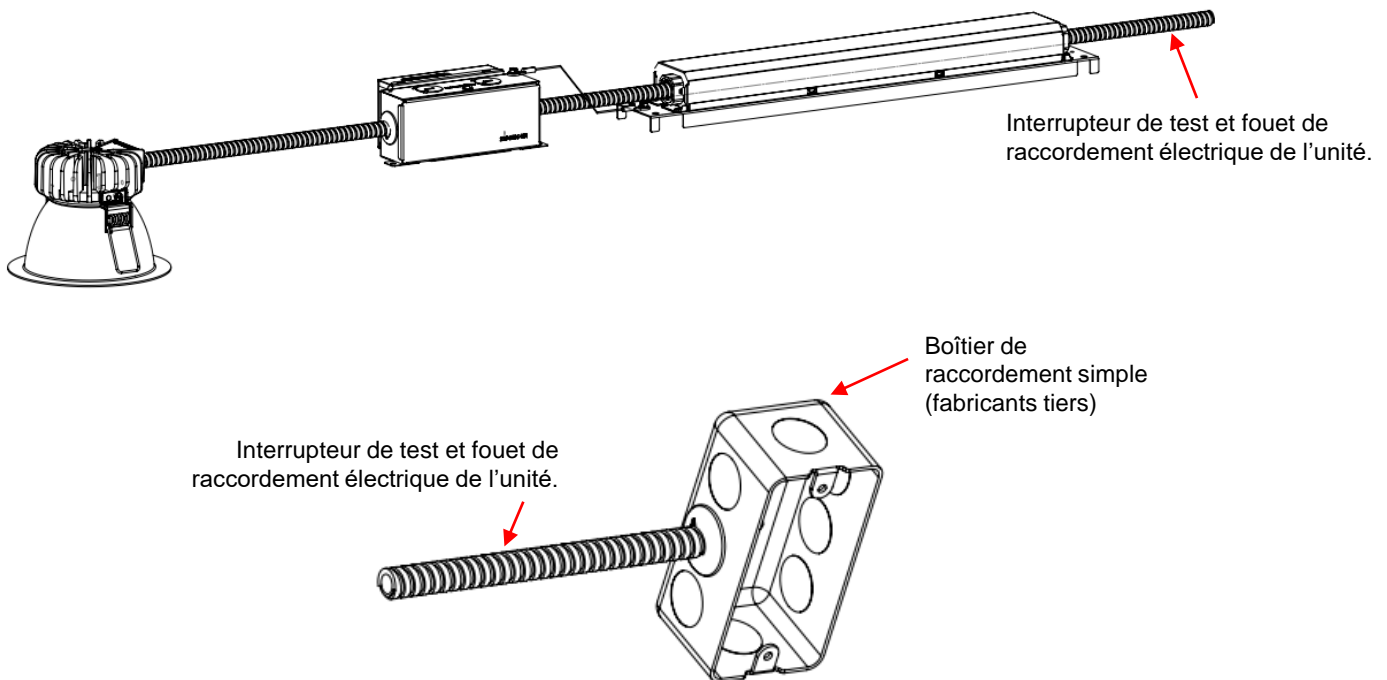
4

Effectuer le raccord approprié des câbles d'alimentation et de gradation. Voir les instructions d'installation de la batterie d'urgence IOTA pour plus de précisions sur le câblage. Réinstaller le couvercle du boîtier du circuit d'attaque.



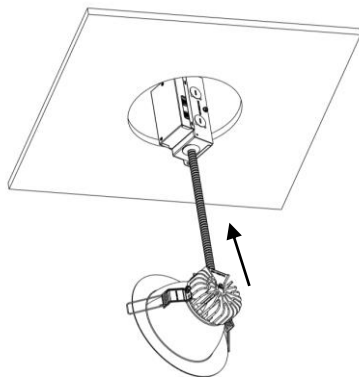
5

Introduire l'interrupteur de test de la batterie d'urgence et le fouet du connecteur de l'unité dans l'ouverture du plafond. Raccorder le fouet au boîtier de raccordement simple.

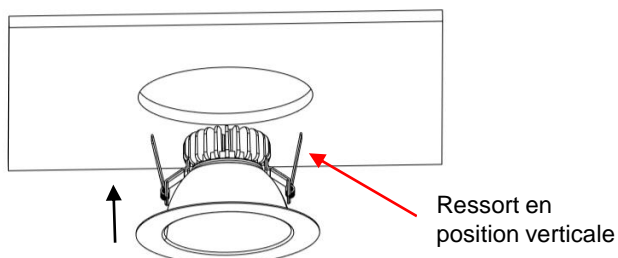


F) Installation de LBR et E10WCPR avec l'option ELR – suite

- 6** Passer la batterie d'urgence et le boîtier du circuit d'attaque dans la découpe du plafond et les poser sur le cadre ou le plafond existant.

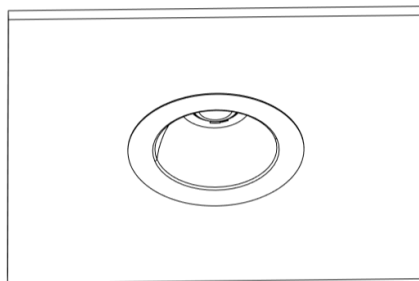


- 7** Faire pivoter les ressorts jusqu'en position verticale. Insérer la fixation dans la découpe du plafond et relâcher soigneusement les ressorts.



Avertissement : Ne pas mettre votre main au-dessous de la pince à ressort pendant le processus de désinstallation. Le claquement des ressorts peut provoquer des blessures aux mains.

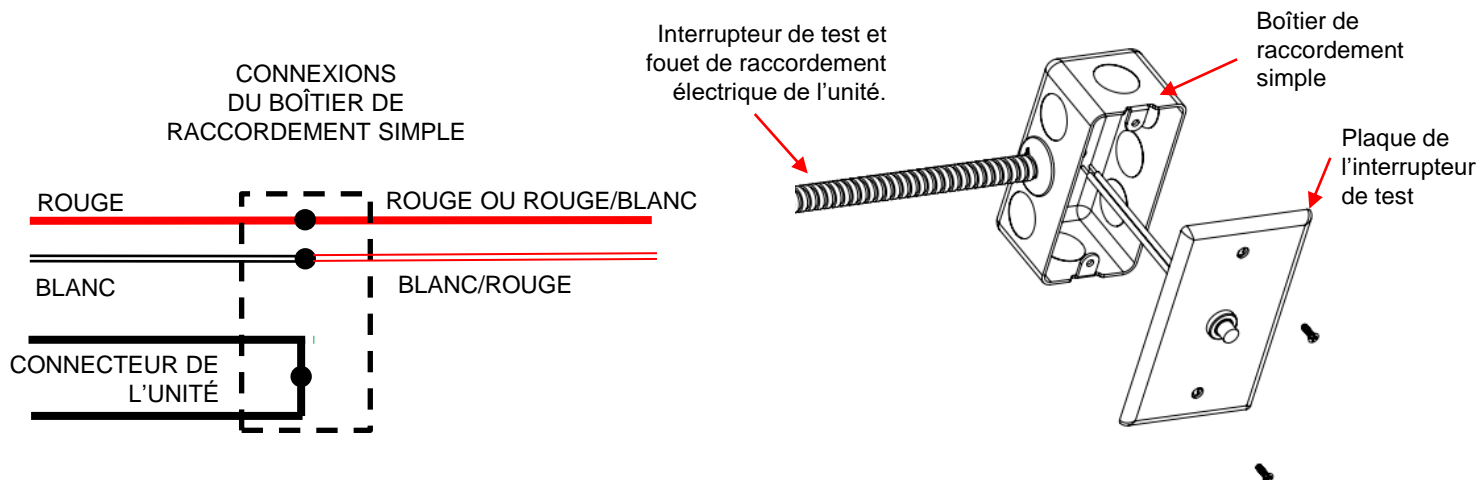
- 8** Vérifier que la garniture du réflecteur est alignée avec le plafond et centrée dans l'ouverture.



F) Installation de LBR et E10WCPR avec l'option ELR – suite

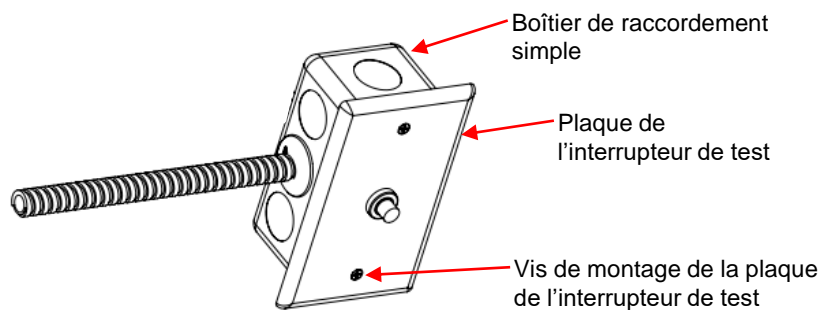
6

Brancher correctement l'interrupteur de test. Raccorder le connecteur de l'unité, le système électrique est maintenant complet.



7

Fixer la plaque au boîtier de raccordement simple à l'aide des vis de montage.



G) Installation de LBR avec l'option E10WCP

Remarque :

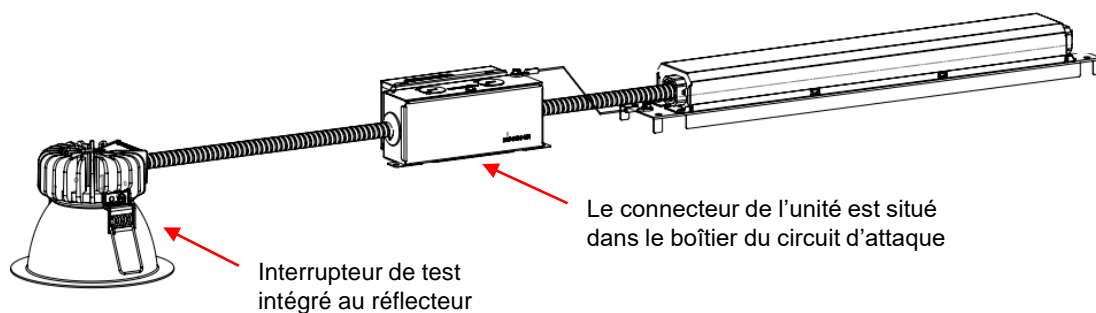
Accès par le haut ou 17-1/2 po de hauteur du plénum requis pour l'installation.

1

Voir la section F pour les instructions générales d'installation d'un LBR avec une batterie d'urgence.

2

L'interrupteur de test de la batterie E10WCP est intégré au réflecteur et le connecteur de l'unité est situé dans le boîtier du circuit d'attaque.



LEA Y SIGA TODAS LAS INSTRUCCIONES DE SEGURIDAD GUARDE ESTAS INSTRUCCIONES Y ENTRÉGUESELAS AL PROPIETARIO DESPUÉS DE LA INSTALACIÓN

- Para reducir el riesgo de muerte, daños personales o daños materiales por incendio, descarga eléctrica, caída de piezas, cortes/abrasiones y otros peligros, lea todas las advertencias e instrucciones que se incluyen en la caja del accesorio y en todas las etiquetas del accesorio.
- Antes de instalar, reparar o realizar el mantenimiento de rutina del equipo, siga estas precauciones generales.
- La instalación y la reparación de las luminarias deben estar a cargo de un **electricista calificado autorizado**.
- El mantenimiento de las luminarias debe ser realizado por una persona familiarizada con la fabricación y el funcionamiento de este producto, así como con los peligros relacionados. Se recomienda seguir programas de mantenimiento regular de los accesorios.
- En ocasiones, será necesario limpiar el exterior del refractor o la lente. La frecuencia de la limpieza dependerá del nivel de suciedad ambiental y de la salida de luz mínima que sea aceptable para el usuario. Lave el refractor o la lente con una solución de agua tibia y detergente de uso doméstico, suave y no abrasivo; luego, enjuáguelos con agua limpia y séquelos. En caso de que se ensucie el interior del ensamblaje óptico, limpie el refractor o la lente de la forma indicada anteriormente y reemplace las juntas dañadas según sea necesario.
- **NO INSTALE PRODUCTOS DAÑADOS** Esta luminaria se empaquetó adecuadamente para que las piezas no resultaran dañadas durante su transporte. Revíselas para confirmarlo. Cualquier parte dañada o rota durante o después del ensamblaje debe reemplazarse.
- Reciclado: para obtener información sobre cómo reciclar productos electrónicos de led, visite www.epa.gov.
- Estas instrucciones no pretenden cubrir todos los detalles o las variaciones de los equipos ni abarcar todas las posibles eventualidades relacionadas con la instalación, el funcionamiento o el mantenimiento. Si necesita más información o surgen problemas específicos que no estén debidamente explicados para los fines del comprador o propietario, comuníquese con Acuity Brands Lighting, Inc.



ADVERTENCIA: RIESGO DE DESCARGA ELÉCTRICA

- ✓ Desconecte o interrumpa el suministro eléctrico antes de realizar la instalación o efectuar reparaciones.
- ✓ Compare el voltaje de alimentación con la información de la etiqueta de la luminaria para verificar que sea el correcto.
- ✓ Realice todas las conexiones eléctricas y a tierra de acuerdo con los requisitos del Código Eléctrico Nacional (NEC) y todos los códigos locales aplicables.
- ✓ Todas las conexiones del cableado deben cubrirse con conectores para cables



ADVERTENCIA: RIESGO DE QUEMADURAS

- ✓ Antes de manipular la lámpara o el accesorio, déjelos enfriar. No toque la carcasa ni la fuente de iluminación.
- ✓ No supere el vataje máximo señalado en la etiqueta de la luminaria.
- ✓ Siga todas las advertencias, recomendaciones y restricciones del fabricante en relación con el tipo de circuito controlador, la posición de funcionamiento, las ubicaciones y los métodos de montaje, la sustitución y el reciclado.



PRECAUCIÓN: RIESGO DE LESIONES

- ✓ Use guantes y gafas de seguridad en todo momento cuando quite la luminaria de la caja, cuando la instale, la repare o realice tareas de mantenimiento.
- ✓ Cuando la luz esté encendida, evite la exposición directa de los ojos a la fuente de



PRECAUCIÓN: RIESGO DE INCENDIO

- ✓ Mantenga lejos de la lámpara o las lentes los materiales combustibles o de otro tipo que puedan arder.
- ✓ No haga funcionar los accesorios cerca de personas, materiales combustibles o sustancias sensibles al calor o a la

**LEA Y SIGA TODAS LAS INSTRUCCIONES DE SEGURIDAD
GUARDE ESTAS INSTRUCCIONES Y ENTRÉGUESELAS AL PROPIETARIO DESPUÉS DE LA INSTALACIÓN**

- El juego de readaptación se acepta como un componente de una luminaria cuando la idoneidad de la combinación está determinada por las autoridades que tienen jurisdicción. Un electricista calificado es quien debe instalar el producto de acuerdo con los códigos eléctricos aplicables y apropiados. La guía de instalación no reemplaza las regulaciones locales o nacionales para instalaciones eléctricas.



**ADVERTENCIA:
RIESGO DE DESCARGA ELÉCTRICA**

- ✓ Instale este juego solo en luminarias que tengan las características y dimensiones de construcción que se muestran en las fotografías o dibujos, y cuando el voltaje de entrada del juego de readaptación no exceda el voltaje de entrada de la luminaria.
- ✓ La instalación del juego de readaptación de led requiere el conocimiento de los sistemas eléctricos de las luminarias. Si no está calificado, no intente realizar la instalación. Póngase en contacto con un electricista calificado.
- ✓ No haga ningún agujero en una caja de cableado o en los componentes eléctricos ni altere un agujero ya existente durante la instalación del juego.
- ✓ **ADVERTENCIA:** Para evitar el daño o el desgaste del cableado, no lo exponga a bordes de láminas de metal u otros objetos filosos.



PRECAUCIÓN: RIESGO DE DAÑO PARA EL

- ✓ Nunca conecte componentes cuando están bajo carga.
- ✓ No monte ni sujete estos accesorios de manera que se pueda cortar el revestimiento exterior o dañar el aislamiento de los cables.
- ✓ Deben revisarse los controles para la atenuación, la detección automática o el control remoto de una luminaria que no se hayan conectado a la luminaria en la fábrica a fin de comprobar su compatibilidad con la luminaria antes de la instalación. Los accesorios de led deben alimentarse directamente de un circuito conmutado.
- ✓ A menos que las especificaciones particulares del producto indiquen lo contrario, no restrinja la ventilación de los accesorios; deje un poco de espacio libre alrededor de los accesorios; evite cubrir los accesorios de led con material aislante, espuma u otro material que impida el enfriamiento por convección o conducción.
- ✓ A menos que las especificaciones particulares del producto indiquen lo contrario, no exceda la temperatura ambiente máxima de los accesorios.
- ✓ Use el accesorio únicamente en el lugar previsto.
- ✓ Los productos de led son sensibles a la polaridad. Asegúrese de que la polaridad sea la adecuada antes de la instalación.
- ✓ Descarga electrostática (ESD): la descarga electrostática puede dañar los accesorios de led. Debe usarse equipamiento personal de conexión a tierra durante todos los procedimientos de instalación o mantenimiento de la unidad.
- ✓ No toque los componentes eléctricos individuales, ya que esto puede causar una ESD, acortar la vida útil de la lámpara o alterar el rendimiento.
- ✓ Es posible que algunos componentes del interior del accesorio no se puedan reparar. En el caso poco probable de que su unidad requiera reparación, deje de usarla inmediatamente y comuníquese con un representante de ABL para obtener ayuda.
- ✓ Lea siempre las instrucciones completas de instalación de los accesorios antes de su instalación para verificar si hay advertencias específicas adicionales para cada accesorio.
- ✓ Asegúrese siempre de que el sistema de distribución de energía eléctrica cumpla con los requisitos del NEC y los de todos los códigos locales aplicables.
- ✓ Verifique que el sistema de distribución de energía eléctrica tenga una conexión a tierra adecuada. La falta de una toma a tierra adecuada puede conducir a una falla del accesorio y podría anular la garantía.

Elija la Parte 15 O la Parte 18 y pase a las Instrucciones de instalación que se encuentran debajo de la sección Entrega en la página 3. Lithonia Outdoor siempre utilizará la Parte 15.

Todas las luminarias que contienen dispositivos eléctricos que generan frecuencias superiores a 9 kHz desde cualquier componente de la luminaria cumplen con la Parte 15 de las reglas de la FCC. El funcionamiento está sujeto a las siguientes dos condiciones:

- (1) Este dispositivo no puede ocasionar interferencias perjudiciales.
- (2) Este dispositivo debe aceptar cualquier interferencia recibida, incluso las interferencias que puedan ocasionar un mal funcionamiento.

Este dispositivo cumple con la Parte 18 de las reglas de la FCC, pero puede ocasionar interferencia con teléfonos inalámbricos y celulares, radios, televisores y otros dispositivos electrónicos. Para corregir el problema, aleje el dispositivo de la luminaria o enchúfelo en otra toma de corriente. Este producto puede ocasionar interferencia en equipos de radio y no se debe instalar cerca de equipos de comunicación de seguridad marítima u otros equipos de comunicación o navegación crítica que funcionen en el rango de 0,45-30 MHz.

El incumplimiento de alguna de estas instrucciones puede anular las garantías del producto. Para obtener una lista completa de los términos y las condiciones del producto, visite www.acuitybrands.com.

Nuestras marcas	Interior/exterior	Iluminación de interior	Iluminación de exterior	Controles	Iluminación de día
	Lithonia Lighting	Aculux	American Electric Lighting	DARK TO LIGHT	SunOptics
	Carandini	Gotham	Antique Street Lamps	LC&D	
	Holophane	Indy	Hydrel	ROAM	
	RELOC	Juno	Tersen	Sensor Switch	
	Light Concepts	Mark Architectural Lighting		Synergy	
		Peerless			
		Renaissance Lighting			
		Winona Lighting			

Acuity Brands Lighting, Inc. no se hace responsable de los reclamos que puedan surgir por la instalación o la manipulación inadecuada o negligente de sus productos.

Advertencias generales para productos de led de ABL, Form. n.º 503.203. © 2010, 2016 Acuity Brands Lighting, Inc. Todos los derechos reservados. 01/12/10

LBR

INSTRUCCIONES DE INSTALACIÓN

Estas instrucciones de instalación se utilizan para las siguientes luminarias:

LBR4	LBR4SQ
LBR6	LBR6SQ
LBR8	LBR10

LBR4WW	LBR4SQWW
LBR6WW	LBR6SQWW
LBR8WW	

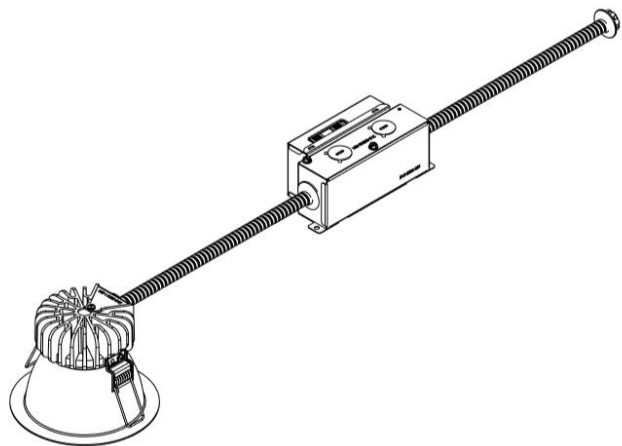
A) Tabla de especificaciones del orificio del techo.....	Página 4
B) Identificación de luminarias LBR.....	Página 5
C) LBR con tubo flexible EC1/EC6	Página 7
D) LBR con tubo flexible QDS	Página 9
E) Luminaria de base LBR.....	Página 12
F) LBR con batería de emergencia (ELR y E10WCPR).....	Página 14
G) LBR con batería de emergencia (E10WCP).....	Página 18

A) Tabla de especificaciones del orificio del techo

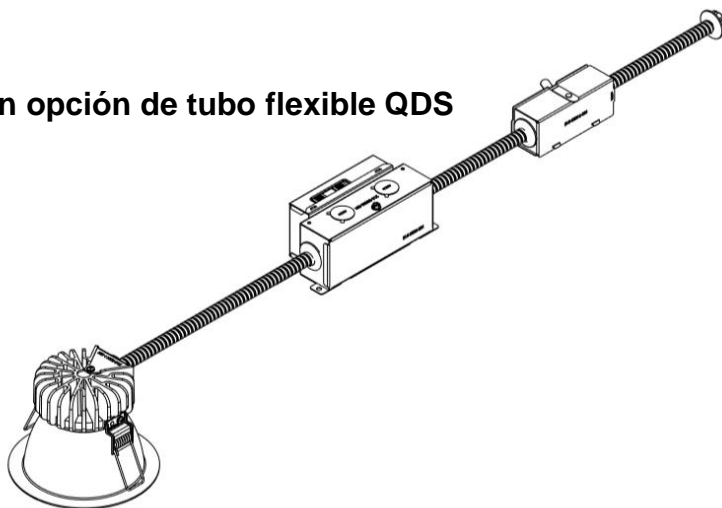
Tipo	Serie	Abertura	Diámetro externo de la brida de la moldura	Orificio mínimo del techo	Grosor del techo	Orificio máximo del techo	Orificio máx. del techo con anillo empotrable	Diámetro externo total del anillo empotrable
REDONDO	LBR4	4-1/4 in	5-7/16 in	4-1/2 in	1/2 in	5-1/8 in	5-1/8 in	7-1/4 in
					1-1/2 in		5-3/4 in	
	LBR6	5-5/16 in	7-5/8 in	5-3/4 in	1/2 in	7-1/8 in	7-1/8 in	9-1/4 in
					1-1/2 in		7-3/8 in	
	LBR8	7-1/6 in	9-3/16 in	7-3/4 in	1/2 in	8-7/8 in	9-1/4 in	11-1/4 in
					1-1/2 in		9-5/8 in	
CUADRADO	LBR4	4-1/4 in	5-7/16 in	4-1/2 in	1/2 in a 1-1/2 in	5-1/8 in	NA	NA
	LBR6	6-1/4 in	7-1/2 in	6-1/2 in	1/2 in a 1-1/2 in	7-1/4 in	NA	NA

B) Identificación de luminarias LBR

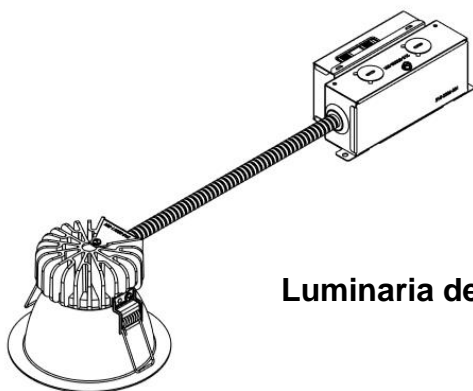
LBR con opción de tubo flexible EC1/EC6



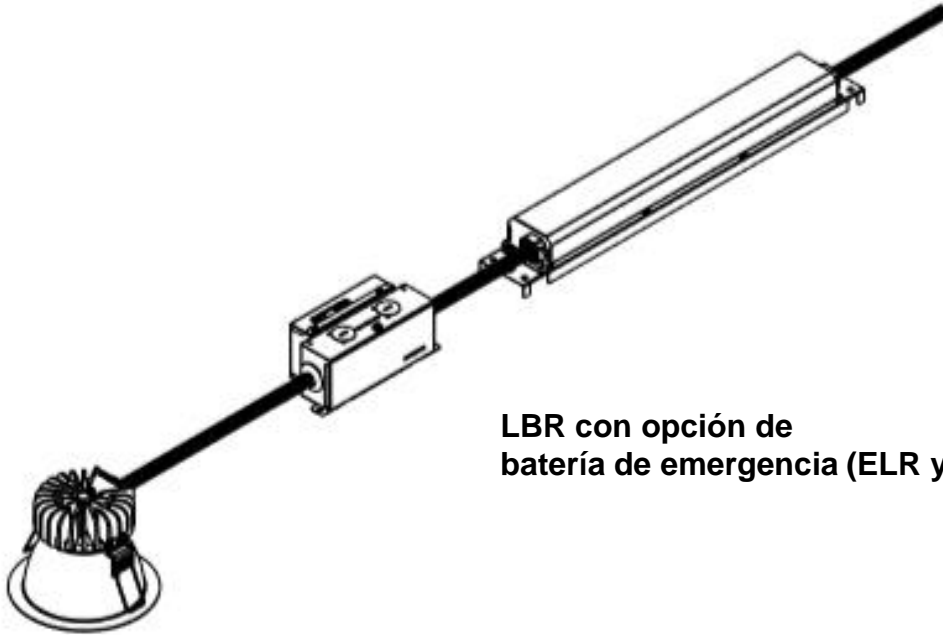
LBR con opción de tubo flexible QDS



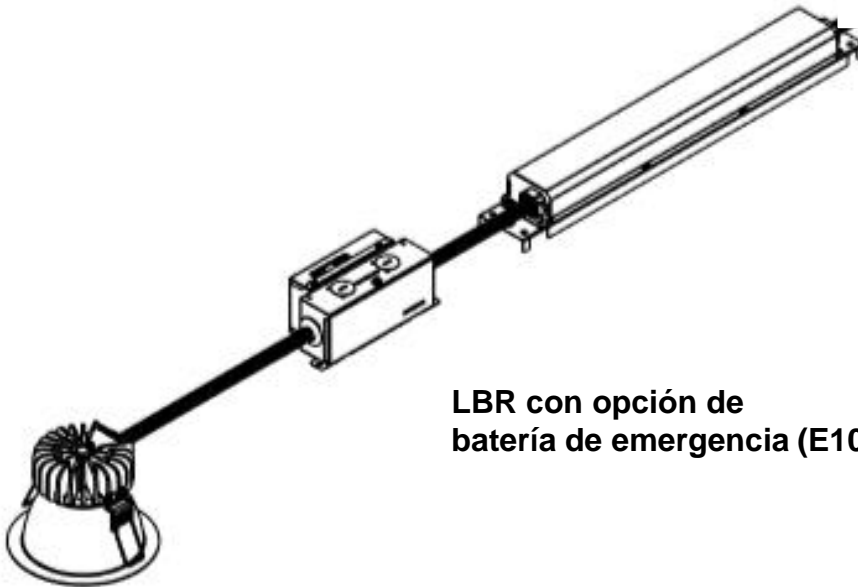
Luminaria de base LBR



B) Identificación de luminarias LBR



**LBR con opción de
batería de emergencia (ELR y E10WCPR)**

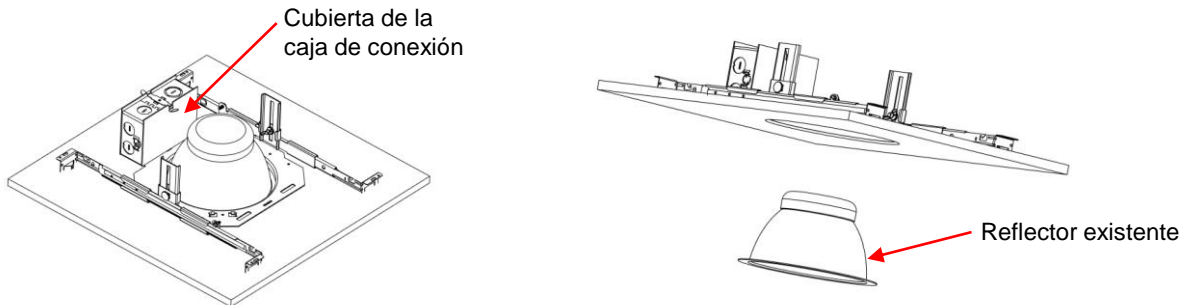


**LBR con opción de
batería de emergencia (E10WCP)**

C) Instalación de LBR con opción de tubo flexible EC1/EC6

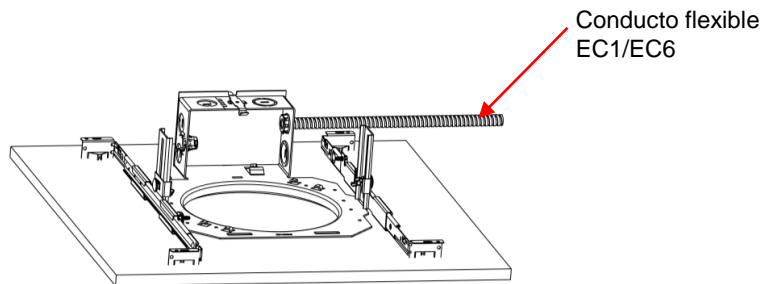
1

Retire la lámpara, el reflector, los sujetadores de retención del reflector y el balasto existentes. Deje los cables de atenuación y de suministro del edificio en su lugar.



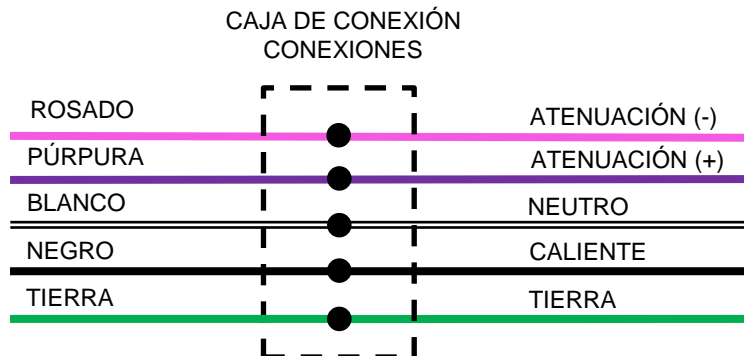
2

Retire la cubierta de la caja de conexión existente. Conecte el conducto flexible EC1/EC6 de LBR en un orificio ciego abierto.



3

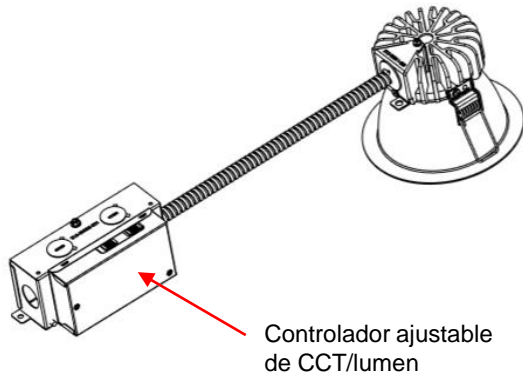
Conecte los cables de suministro y atenuación de forma adecuada. Evite cualquier dispositivo térmico. Vuelva a instalar la cubierta de la caja de conexión.



C) Instalación de LBR con opción de tubo flexible EC1/EC6 (continuación)

4

Para productos conmutables, ajuste las salidas de lumen y CCT del circuito controlador en la posición deseada.



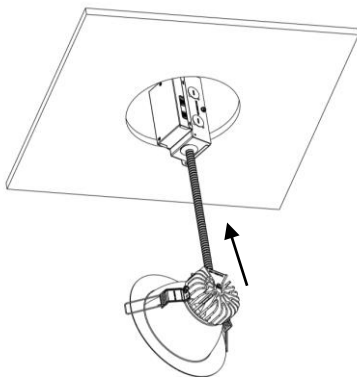
Interruptor de lumen de 3 posiciones

Interruptor de CCT de 4 posiciones



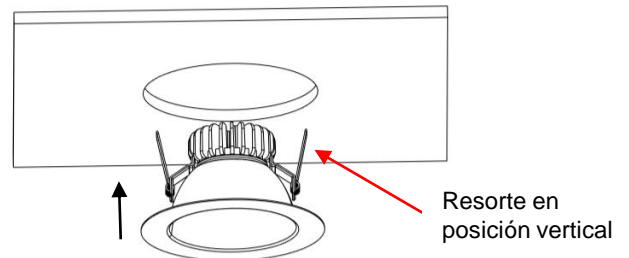
5

Enrosque la carcasa del circuito controlador en el orificio del techo y apóyela sobre el techo o un marco existente.



6

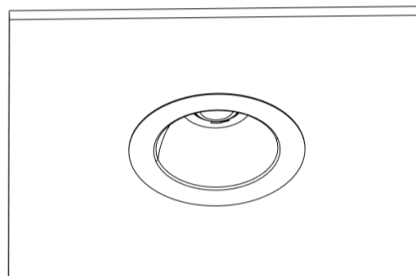
Gire los resortes a una posición vertical. Introduzca la luminaria en el orificio del techo y suelte con cuidado los resortes.



Advertencia: No coloque la mano debajo de los resortes durante el proceso de extracción. La contracción de los resortes puede provocar lesiones en las manos.

7

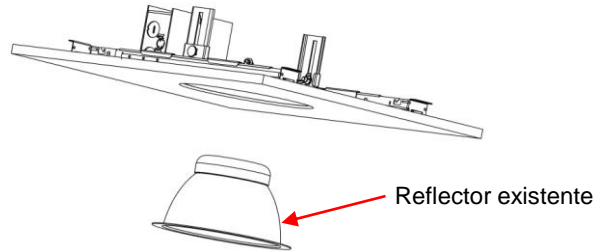
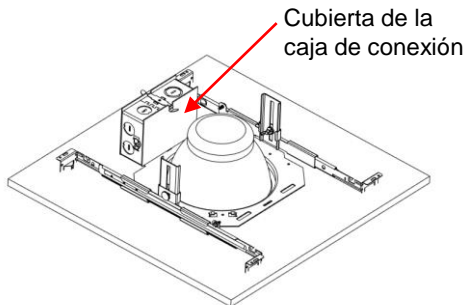
Verifique que la moldura del reflector esté al ras con el techo y centrada en el orificio.



D) Instalación de LBR con opción de tubo flexible QDS

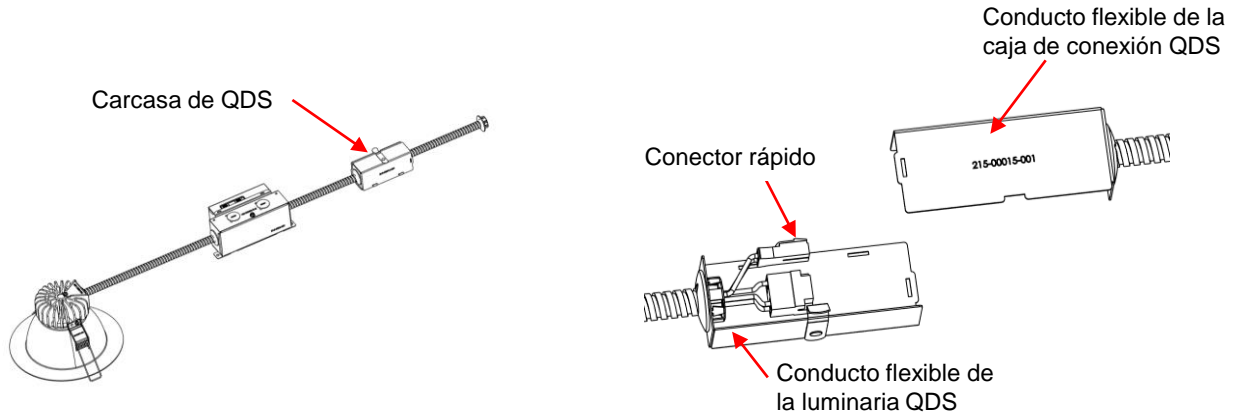
1

Retire la lámpara, el reflector, los sujetadores de retención del reflector y el balasto existentes. Deje los cables de atenuación y de suministro del edificio en su lugar.



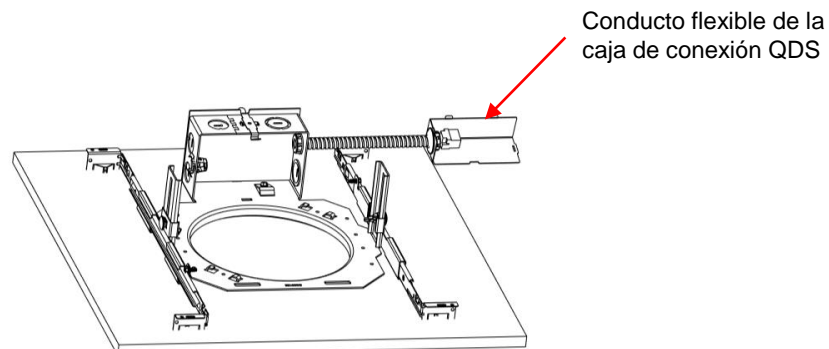
2

Desmonte la carcasa de QDS y los conectores rápidos.



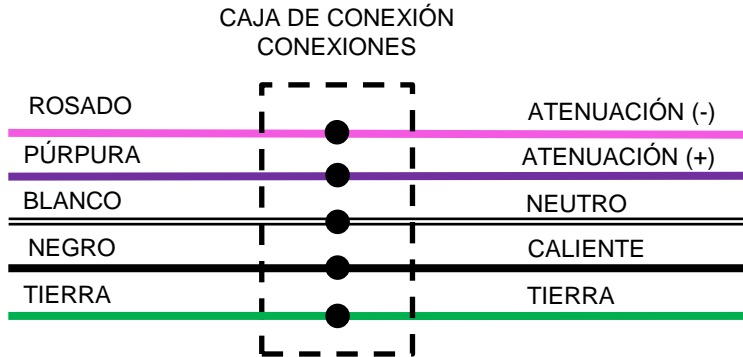
3

Retire la cubierta de la caja de conexión existente. Conecte el conducto flexible de la caja de conexión QDS en un orificio ciego abierto.

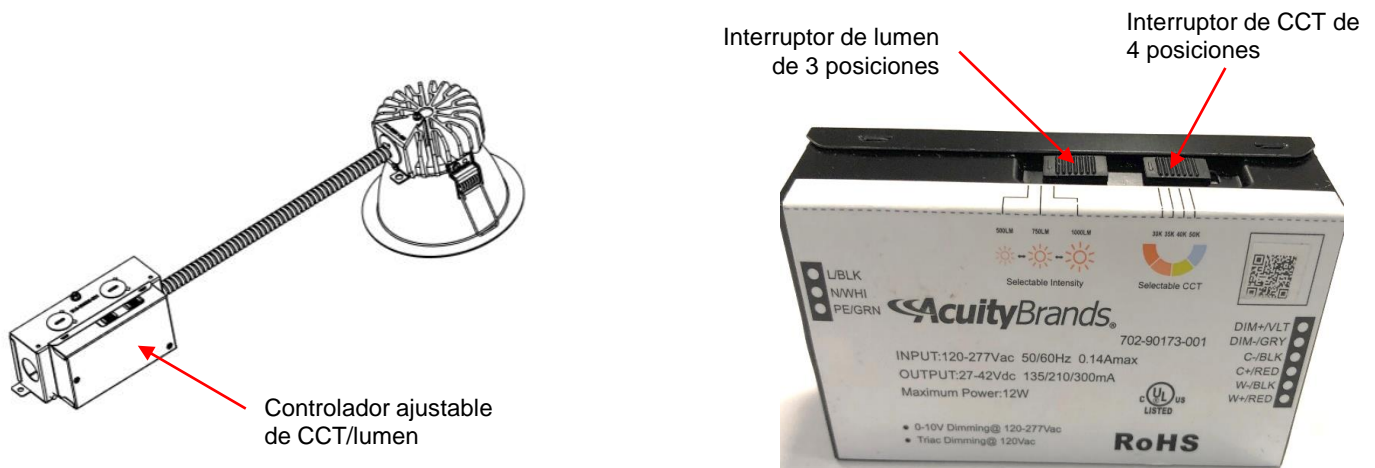


D) Instalación de LBR con opción de tubo flexible QDS (continuación)

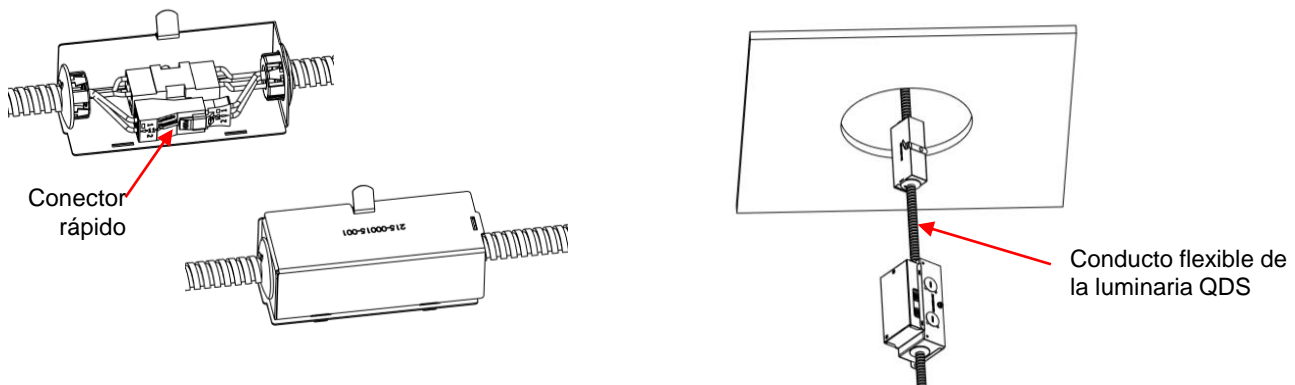
- 3** Conecte los cables de suministro y atenuación de forma adecuada. Evite cualquier dispositivo térmico. Vuelva a instalar la cubierta de la caja de conexión.



- 4** Para productos conmutables, ajuste las salidas de lumen y CCT del circuito controlador en la posición deseada.

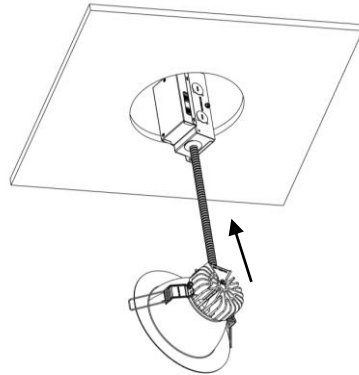


- 5** Vuelva a ensamblar el conducto flexible de la caja de conexión QDS al conducto flexible de la luminaria QDS de acoplamiento al conectar los conectores rápidos y la carcasa de QDS.

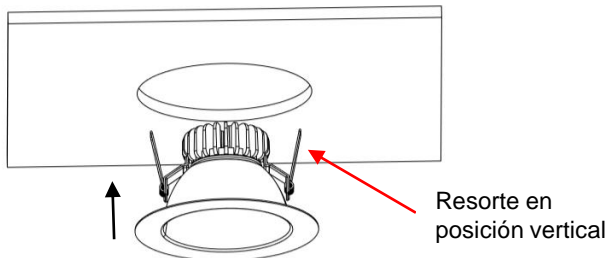


D) Instalación de LBR con opción de tubo flexible QDS (continuación)

- 6 Enrosque la carcasa del circuito controlador en el orificio del techo y apóyela sobre el techo o un marco existente.

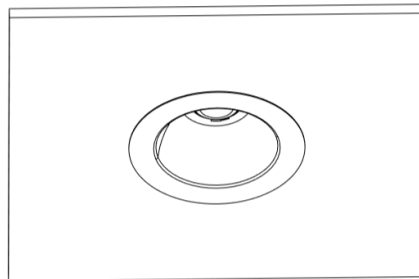


- 7 Gire los resortes a una posición vertical. Introduzca la luminaria en el orificio del techo y suelte con cuidado los resortes.



Advertencia: No coloque la mano debajo de los resortes durante el proceso de extracción. La contracción de los resortes puede provocar lesiones en las manos.

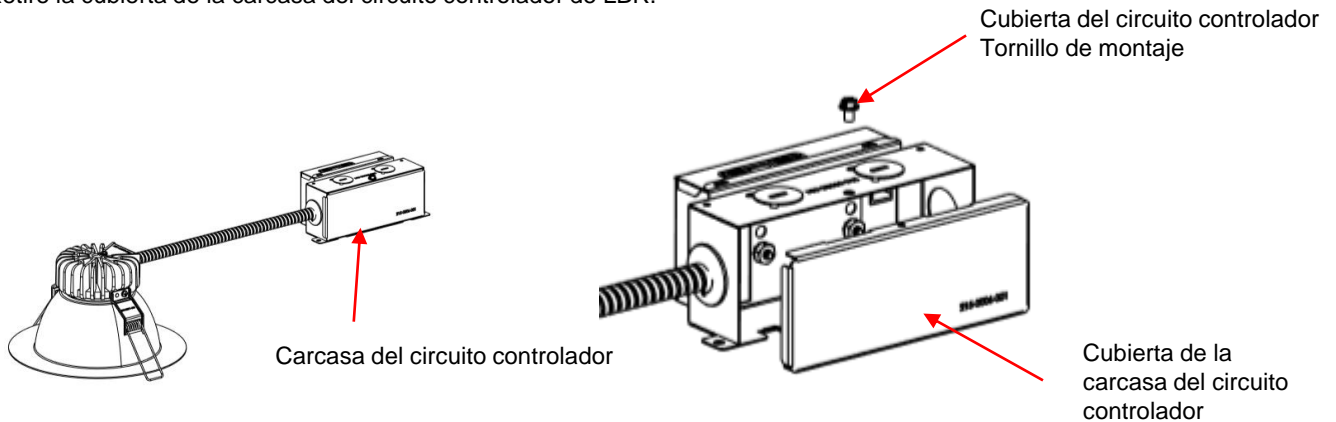
- 8 Verifique que la moldura del reflector esté al ras con el techo y centrada en el orificio.



E) Instalación de la luminaria de base LBR

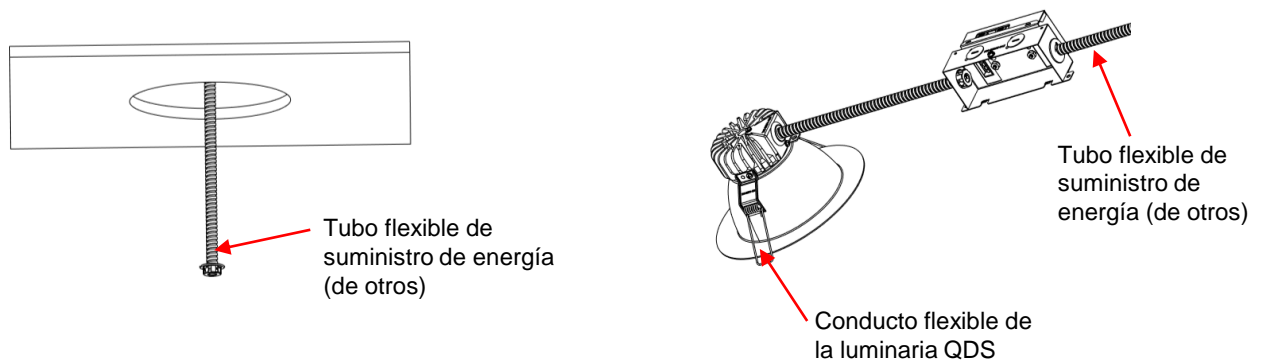
1

Retire la cubierta de la carcasa del circuito controlador de LBR.



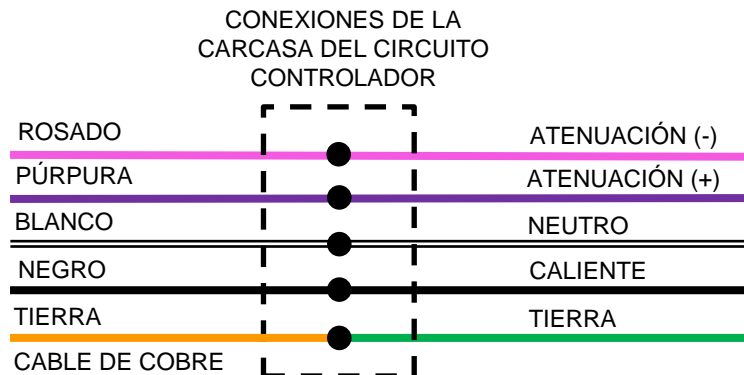
2

Conecte el tubo flexible de suministro de energía de la caja de conexión existente a la carcasa del circuito controlador de LBR.



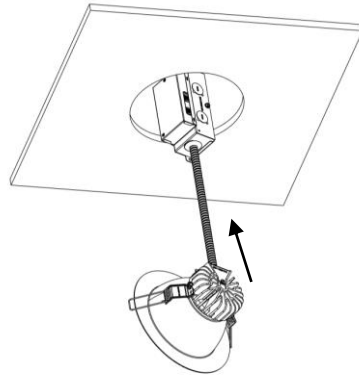
3

Conecte los cables de suministro y atenuación de forma adecuada. Vuelva a instalar la cubierta de la carcasa del circuito controlador.

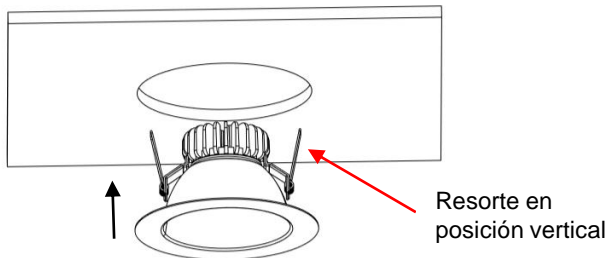


E) Instalación de la luminaria de base LBR (continuación)

- 4 Enrosque la carcasa del circuito controlador en el orificio del techo y apóyela sobre el techo o un marco existente.

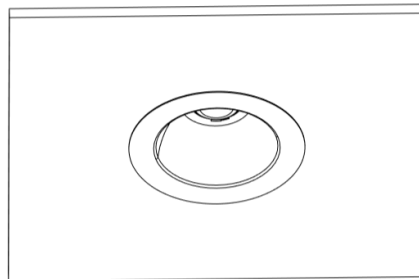


- 5 Gire los resortes a una posición vertical. Introduzca la luminaria en el orificio del techo y suelte con cuidado los resortes.



Advertencia: No coloque la mano debajo de los resortes durante el proceso de extracción. La contracción de los resortes puede provocar lesiones en las manos.

- 6 Verifique que la moldura del reflector esté al ras con el techo y centrada en el orificio.



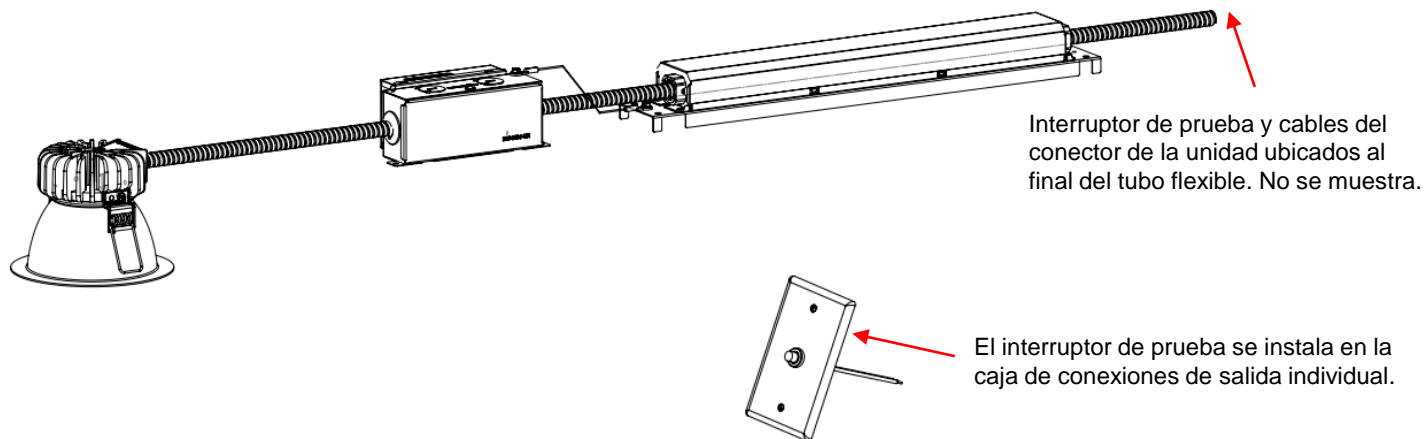
F) Instalación de LBR con opción de ELR y E10WCPR

Nota:

Se requiere acceso superior o 17,5 in de altura de pleno para la instalación.

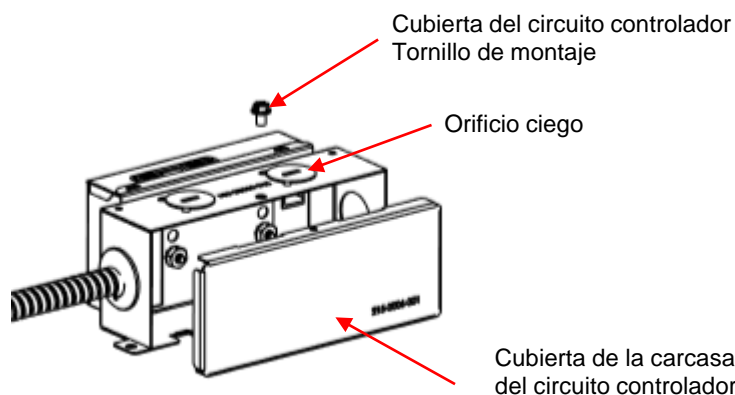
1

Determine la ubicación de montaje del interruptor de prueba remoto. La instalación del interruptor de prueba debe hacerse en una caja de conexiones de salida individual (de terceros). Instale la caja de conexiones de salida individual en el techo junto al accesorio.



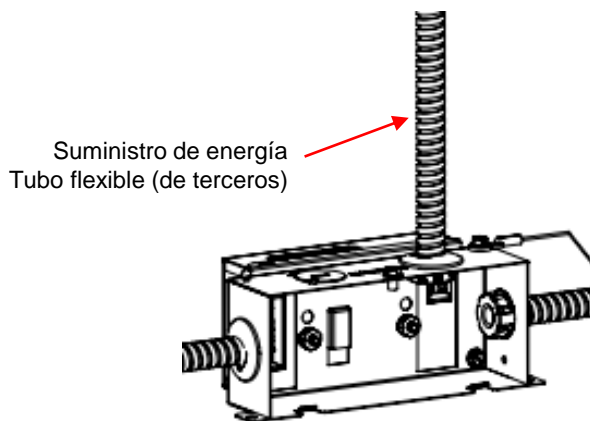
2

Retire la cubierta de la carcasa del circuito controlador de LBR.



3

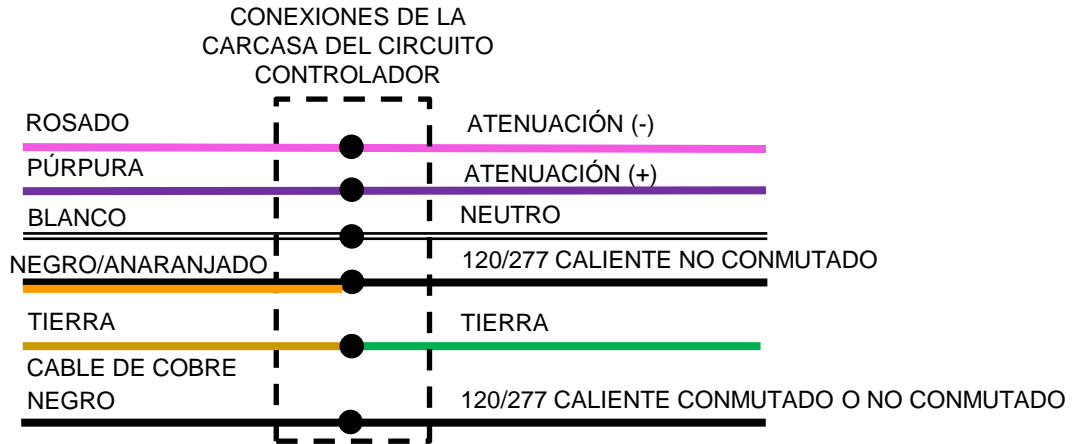
Retire el orificio ciego de la carcasa del circuito controlador y del tubo flexible de suministro de energía del conector.



F) Instalación de LBR con opción de ELR y E10WCPR (continuación)

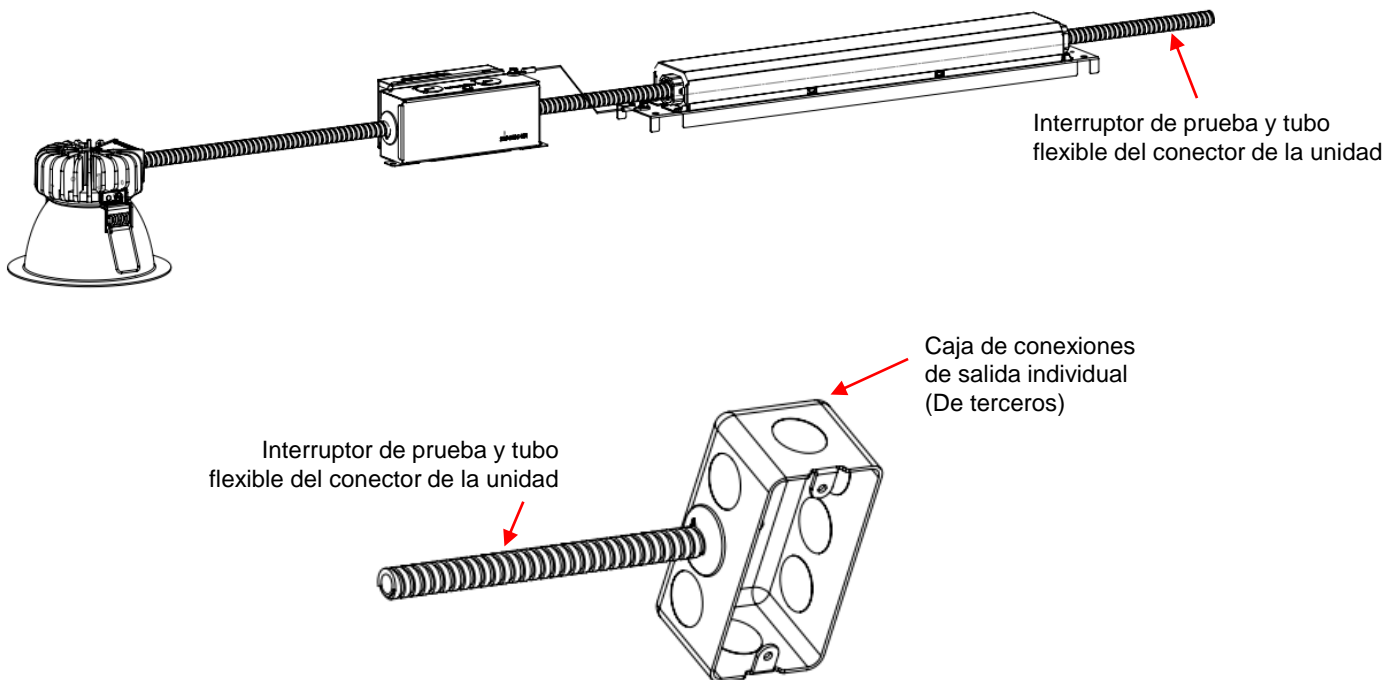
4

Conecte los cables de suministro y atenuación de forma adecuada. Consulte las instrucciones de instalación de la batería de emergencia de IOTA para obtener información de cableado más detallada. Vuelva a instalar la cubierta de la carcasa del circuito controlador.



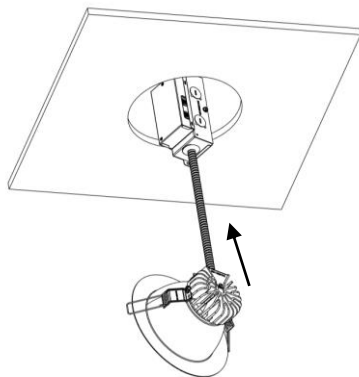
5

Enrosque el interruptor de prueba de la batería de emergencia y el tubo flexible del conector de la unidad en la abertura del techo. Conecte el tubo flexible en la caja de conexiones de salida individual.

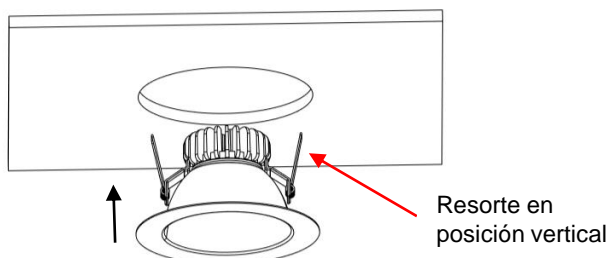


F) Instalación de LBR con opción de ELR y E10WCPR (continuación)

- 6** Enrosque la batería de emergencia y la carcasa del circuito controlador en el orificio del techo y apóyelas sobre el techo o un marco existente.

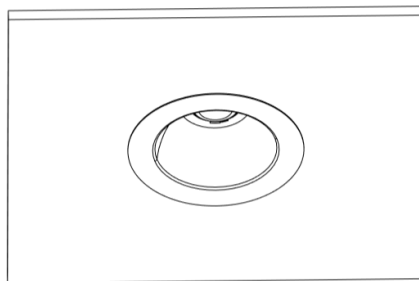


- 7** Gire los resortes a una posición vertical. Introduzca la luminaria en el orificio del techo y suelte con cuidado los resortes.



Advertencia: No coloque la mano debajo de los resortes durante el proceso de extracción. La contracción de los resortes puede provocar lesiones en las manos.

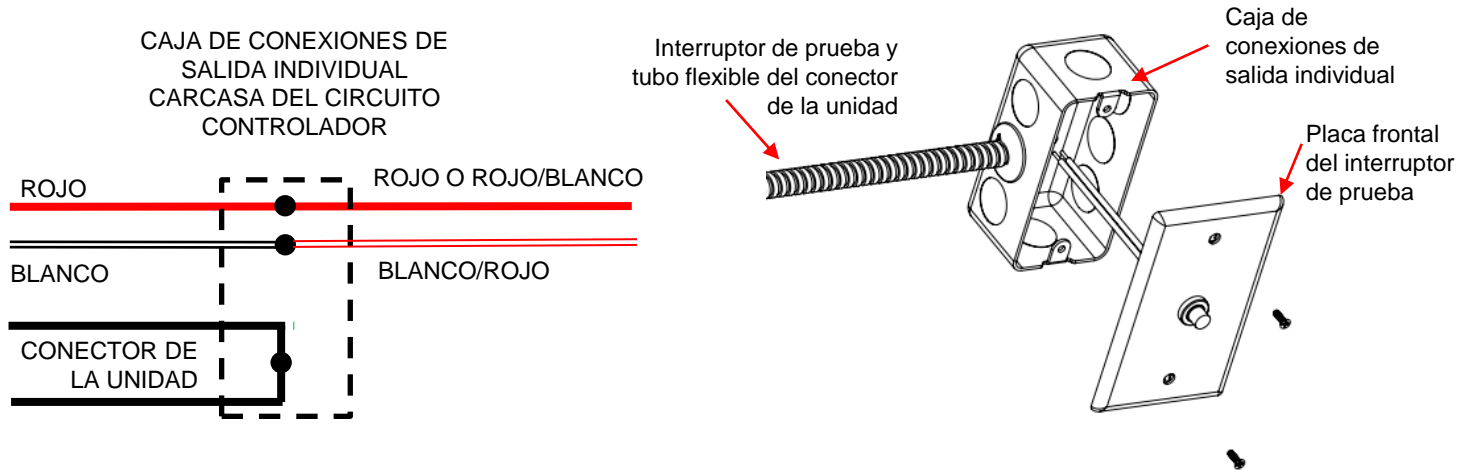
- 8** Verifique que la moldura del reflector esté al ras con el techo y centrada en el orificio.



F) Instalación de LBR con opción de ELR y E10WCPR (continuación)

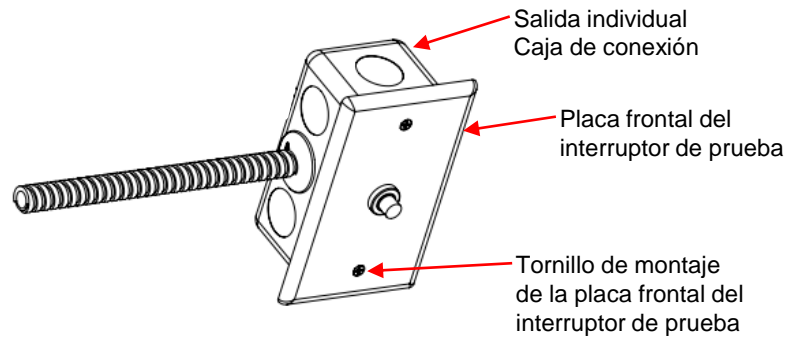
6

Realice la conexión apropiada del interruptor de prueba. Acople el conector de la unidad; el sistema eléctrico está completo.



7

Ajuste la placa frontal a la caja de conexiones de salida individual con los tornillos de montaje.



F) Instalación de LBR con opción de E10WCP

Nota:

Se requiere acceso superior o 17,5 in de altura de pleno para la instalación.

1

Consulte la sección F para ver las instrucciones generales para instalar un LBR con una batería de emergencia.

2

La batería E10WCP tiene el interruptor de prueba integrado al reflector y el conector de la unidad ubicado en la carcasa del circuito controlador.

