

## FEATURES & SPECIFICATIONS

**INTENDED USE** — Typical applications include corridors, lobbies, conference rooms and private offices.  
**CONSTRUCTION** — Retrofit, remodel, and new construction mounting types. See table for compatible ceiling openings and thickness range.

Optional goof rings available for additional overlap trim coverage.

1/2"-1-1/2" ceiling thickness

25° ambient temperature

IC rated up to 1000lm

**OPTICS** — 55° cutoff

New construction frame accessories approved for 8 (4 in/4 out) No. 12 AWG conductors rated for 90°C through wiring.

80CRI standard (90CRI optional)

**ELECTRICAL** — Adjustable lumen output with four module options. Fixed lumen options also available. MVOLT 120/277V 50/60Hz driver (0-10V & 120V Phase Dimming to 10% or 1% min dimming level)

FCC CFR Title 47 Part 15 Class A for 277V. FCC CFR Title 47 Part 15 Class B for 120V

L80 at 60,000 hours

3 SDCM

**LISTINGS** — Certified to US and Canadian safety standards. Damp location standard (Wet Location (WL) optional, requires covered ceiling). Some configurations are ENERGY STAR® certified, please visit [www.energystar.gov](http://www.energystar.gov) for specific products. TAA compliant. UFC (3-530-01) specification compliant for power factor and THD. GSA P100 6.2.4 compliant for power quality at full output; compliant up to 2000lm at fully dimmed output.

Title 24 compliant (90CRI, up to 1000lm).

**WARRANTY** — 5-year limited warranty. This is the only warranty provided and no other statements in this specification sheet create any warranty of any kind. All other express and implied warranties are disclaimed. Complete warranty terms located at: [www.acuitybrands.com/support/warranty/terms-and-conditions](http://www.acuitybrands.com/support/warranty/terms-and-conditions)

**Note:** Actual performance may differ as a result of end-user environment and application.

All values are design or typical values, measured under laboratory conditions at 25 °C.

Specifications subject to change without notice.

Catalog Number
Notes
Type

# LBR4

4" OPEN



Retrofit | Remodel



New Construction



battery pack

LBR4 AR LSS MWD		80CRI							
Lumen Output	Wattage	30K/80CRI		35K/80CRI		40K/80CRI		50K/80CRI	
		Delivered Lumens	LPW	Delivered Lumens	LPW	Delivered Lumens	LPW	Delivered Lumens	LPW
ALO1 (500LM)	6	570	99	584	101	597	102	616	105
ALO1 (750LM)	9	903	102	924	103	946	105	975	108
ALO1 (1000LM)	13	1268	98	1297	100	1328	102	1369	104
ALO2 (1000LM)	13	1344	108	1375	110	1408	112	1451	115
ALO2 (1500LM)	19	1961	105	2007	106	2055	108	2118	111
ALO2 (2000LM)	25	2471	99	2528	101	2588	103	2668	105
ALO2 (2000LM)	25	2542	103	2601	104	2663	106	2745	109
ALO3 (2500LM)	32	3069	98	3140	99	3214	101	3314	103
ALO3 (3000LM)	38	3485	93	3566	94	3651	96	3764	98
ALO4 (4000LM)	39	4094	106	4178	108	4262	110	4303	111
ALO4 (4500LM)	44	4519	103	4611	105	4703	107	4749	108
ALO4 (5000LM)	49	4915	100	5015	102	5115	104	5165	105

LBR4 MS MWD		80CRI							
Lumen Output	Wattage	30K/80CRI		35K/80CRI		40K/80CRI		50K/80CRI	
		Delivered Lumens	LPW	Delivered Lumens	LPW	Delivered Lumens	LPW	Delivered Lumens	LPW
ALO1 (500LM)	6	479	83	490	85	502	87	517	89
ALO1 (750LM)	9	758	85	776	87	794	89	819	92
ALO1 (1000LM)	13	1065	82	1089	84	1115	86	1150	89
ALO2 (1000LM)	13	1129	90	1155	92	1182	95	1219	98
ALO2 (1500LM)	19	1648	87	1686	89	1726	91	1779	94
ALO2 (2000LM)	25	2075	83	2124	85	2174	87	2241	90
ALO2 (2000LM)	25	2135	86	2185	88	2237	90	2306	93
ALO3 (2500LM)	32	2578	82	2638	83	2700	85	2784	88
ALO3 (3000LM)	38	2927	78	2995	79	3066	81	3162	84
ALO4 (4000LM)	39	3439	89	3510	91	3580	92	3615	93
ALO4 (4500LM)	44	3796	86	3873	88	3951	90	3989	91
ALO4 (5000LM)	49	4128	84	4213	85	4297	87	4339	88



A+ Capable options indicated by this color background.

## Module ordering

### ORDERING INFORMATION

Lead times will vary depending on options selected. Consult with your sales representative.

**Example:** LBR4 ALO2 SWW1 AR LSS MWD MVOLT UGZ 90CRI

Series	Lumens ‡	Color temperature ‡	Reflector Color	Reflector Flange	Reflector Finish
LBR4 4" Retrofit	Adjustable Lumen Output	Switchable CCT	MS ‡ Metallic Silver	(blank) Self-flanged	LSS Semi-specular
LBR4WW ‡ 4" Retrofit Wallwash	AL01 500/750/1000lm	SWW1 3000K-3500K-4000K-5000K	WR ‡ White painted	TRW ‡ White painted flange	
	AL02 1000/1500/2000lm	Fixed CCT	BR ‡ Black painted	TRBL ‡ Black painted flange	
	AL03 2000/2500/3000lm	30K 3000K	AR Clear		
	AL04 4000/4500/5000lm	20LM 2000lm			
		25LM 2500lm			
		30LM 3000lm			
		40LM 4000lm			
		45LM 4500lm			
		50LM 5000lm			

Distribution	Voltage	Driver	Options
MWD Medium wide (1.0 s/mh)	MVOLT 120	UGZ Universal dimming to 10% 0-10V; line voltage dimming (120V)	90CRI High CRI (90+)
WD Wide (1.2s/mh)	277	UGZ1 Universal dimming to 1% 0-10V; line voltage dimming (120V)	AT ‡ Airtight
WW ‡ Wallwash	347	DALI ‡ DALI dimming to 1%	E10WCP ‡ Batterypack (10W constant power) Non-T20 Compliant integral test switch
		D10 Minimum dimming 10% driver for use with JOT	E10WCPR ‡ Batterypack (10W constant power) T20 Compliant remote test switch
		D1 Minimum dimming 1% driver for use with JOT	ELR ‡ Batterypack (10W constant power) Non-T20 Compliant remote test switch
			ETS ‡ Iota Emergency Transfer System

nLight Options ‡	
NPS80EZ	nLight® network power/relay pack with 0-10V dimming
NPS80EZER	nLight® network power/relay pack with 0-10V dimming; ER controls fixtures on emergency circuit.
NLTAIR2	nLight® Air enabled
NLTAIRER2	nLight® AIR Dimming Pack Wireless Controls. Controls fixtures on emergency circuit
NLTAIREM2	nLight® AIR Dimming Pack Wireless Controls. UL924 Emergency Operation, via power interrupt detection.

‡ Option Value Ordering Restrictions	
Options	Restriction
Adjustable Lumens/CCT	Adjustable Lumen Output and Switchable CCT must be specified together (for example: ALO1 SWW1).
Fixed Lumens/CCT	Fixed Lumen Output and Fixed CCT must be specified together (for example: 10LM 30K).
AT	Standard for CP and IP55, not available with WW.
E10WCP	Not available EC1, EC6, QDS, CP, 347V, NPS80EZ ER, NLTAIRER2, NLTAIREM2, ALO3 & ALO4 w/DALI, OR 2000-4500 lumens w/JOT.
E10WCP	Not available with EC1, EC6, AT, QDS, CP, 347V, NPS80EZ ER, NLTAIRER2, NLTAIREM2, WL, ALO3 & ALO4 w/DALI, OR 2000-4500 lumens w/JOT.
ELR	Not available EC1, EC6, QDS, CP, 347V, NPS80EZ ER, NLTAIRER2, NLTAIREM2, ALO3 & ALO4 w/DALI, OR 2000-4500 lumens w/JOT.
EC1, EC6	Not Available with CP, QDS, ELR, E10WCP, or E10WCPR.
WL	Not available with WW, All CP is wet location, except WW (Damp). IP55 rated.
QDS	Must be specified for use with LBR_PFWQDS. Not available with 347V, CP, ELR, E10WCP, or E10WCPR.
JOT	Not available with CP, nLight options, UGZ, or DALI drivers. Max 4500 lumens. Fixed lumens and CCT only. Not available with 2000-4500lm in conjunction with batterypack.
NPS80EZ	Not available with CP, QDS, DALI, D1, OR D10 drivers. 120V OR 277V only. Not available with 347V.
NPS80EZER	Not available with CP, QDS, ELR, E10WCP, E10WCPR, DALI, D1, OR D10 drivers. 120V OR 277V only. Not available with 347V.
NLTAIR2	Not available with CP, QDS, DALI, D1, OR D10 drivers. See UL 924 Sequence of Operation table. Non-emergency luminaires with this option can be used as a normal power sensing device for nLight AIR devices and luminaires with EM emergency options.
NLTAIRER2	Not available with CP, QDS, ELR, E10WCP, E10WCPR, DALI, D1, OR D10 drivers. Not available with 347V.
NLTAIREM2	Not available with CP, QDS, ELR, E10WCP, E10WCPR, DALI, D1, OR D10 drivers. See UL 924 Sequence of Operation table.
CP	Must be specified for use with LBR_PFWCP. Not available with, QDS, EC1, EC6, ELR, E10WCP, E10WCPR, 347V, JOT, NPS80EZ, NPS80EZ ER, NLTAIR2, NLTAIRER2, NLTAIREM2, D1, OR D10 drivers.
ETS	Not available with, QDS, ELR, E10WCP, E10WCPR, 347V, JOT, NPS80EZ, NPS80EZ ER, NLTAIR2, NLTAIRER2, NLTAIREM2, DALI, D1, OR D10 driver.
DALI	Not available with fixed lumens or CCT. Max 4500 lumens.
WW	Not available with WL, EL and E10WCP.
TRW, TRBL	Available with MS and AR reflectors only.
MS, WR, BR	Not available with LSS reflector finish.

# LBR4

## Accessories: Order as separate catalog number. Shipped separately.

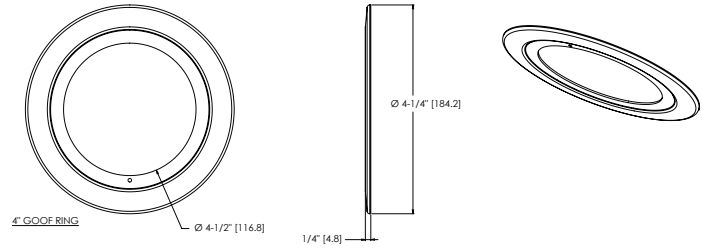
LBRGR56	Goof ring 5-3/4" to 6-3/4" for LBR4
LBRGR56CP	Chicago Plenum Goof ring 5-3/4" to 6-3/4" for LBR4
LBR4AR LSS TRIM	4" clear, semi-specular reflector
LBR4** TRIM	4" reflector (** specify MS, WR, BR)
LBR4AR LSS WW TRIM	4" clear, semi-specular wallwash
LBR4** WW TRIM	4" wallwash (** specify MS, WR, BR)
LDN4RVRGIN IFB	Install-from-below rough-in frame
LBR46810HB FPAN U	Mounting plate 4"-10" unit pack
LBR468HB FPAN J10	Mounting plate 4"-10" 10-pack
LBR SDT 347V 75W ASM	Field installed 347V Step-down transformer

Goof rings must specify reflector color  
 Example: LBRGR56WR  
 WR = white, BR = black, AR = Clear

## New Construction Frames: Order as separate catalog number. Shipped separately.

LBR4PFW	4" New construction frame with JBOX, 18" conduit
LBR4PFWQDS †	4" New construction frame with JBOX, 18" conduit, quick disconnects
LBR4PFWCP †	4" Chicago Plenum New construction frame with JBOX, 18" conduit

**NOTE:** † indicates option value has ordering restrictions. Please reference the Option Value Ordering Restrictions chart on the next page.

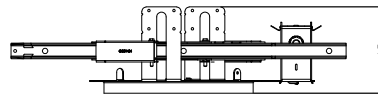
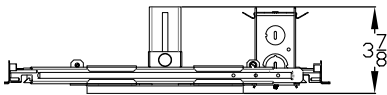


## UL924 Sequence of Operation

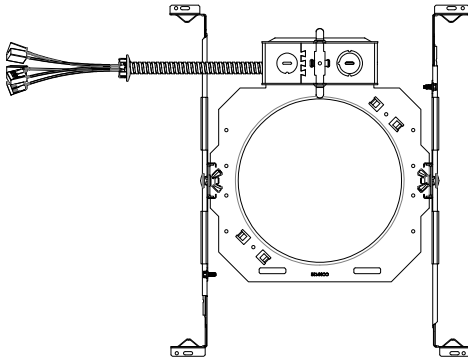
The below information applies to all nLight AIR devices with an EM option.

- EM devices will remain at their high-end trim and ignore wireless lighting control commands, unless a normal-power-sensed (NPS) broadcast is received at least every 8 seconds.
- Using the CLAIRITY+ mobile app, EM devices must be associated with a group that includes a normal power sensing device to receive NPS broadcasts.
- Only non-emergency rPP20, rLSXR, rSBOR, rSDGR, and nLight AIR luminaires with version 3.4 or later firmware can provide normal power sensing for EM devices. See specification sheets for control devices and luminaires for more information on options that support normal power sensing.

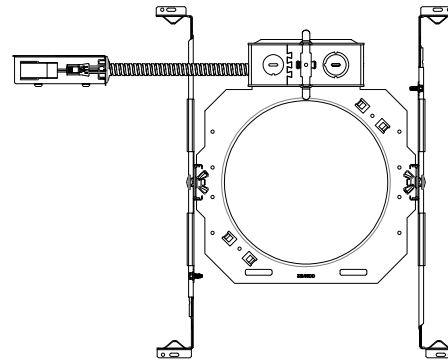
\* All dimensions are inches (millimeters) unless otherwise noted.



Aperture Size	Ceiling Cutout
4 in	5-1/8"



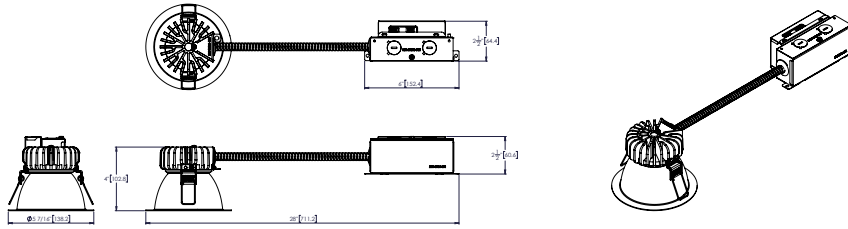
4" New Construction Frame, 18" conduit



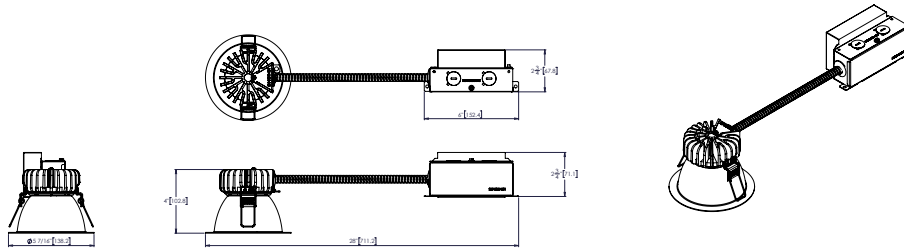
4" New Construction Frame, QDS

# LBR4

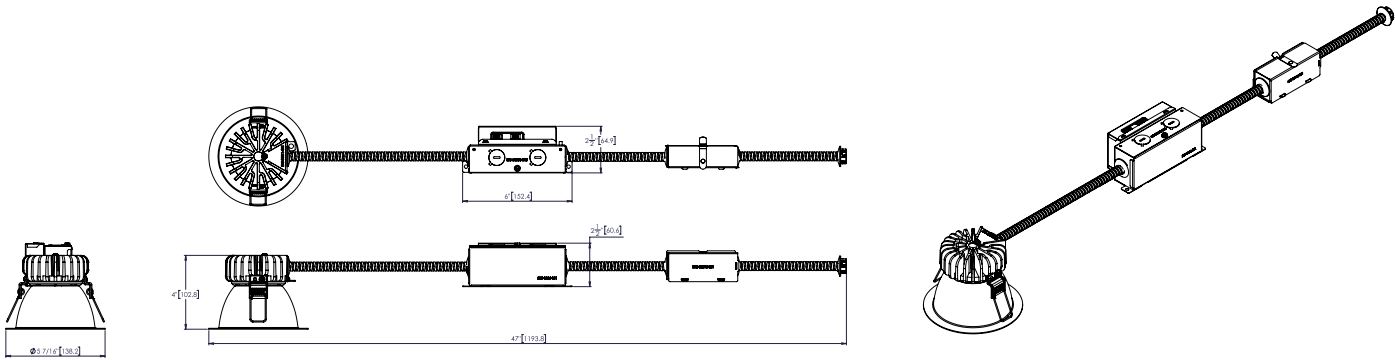
\* All dimensions are inches (millimeters) unless otherwise noted.



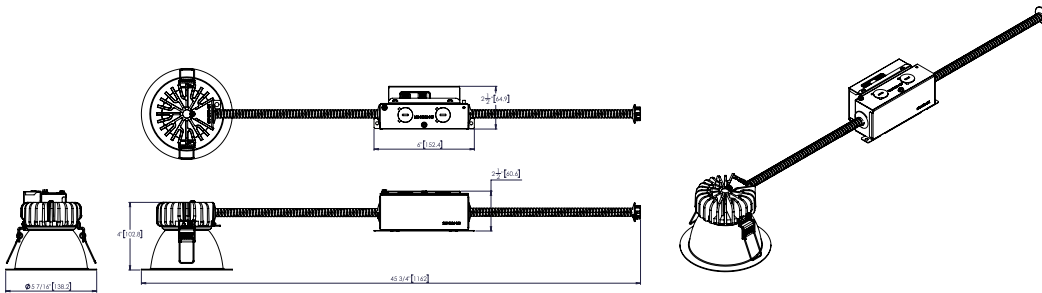
LBR4 SWW1 AL0x xx xxx MVOLT UGZ



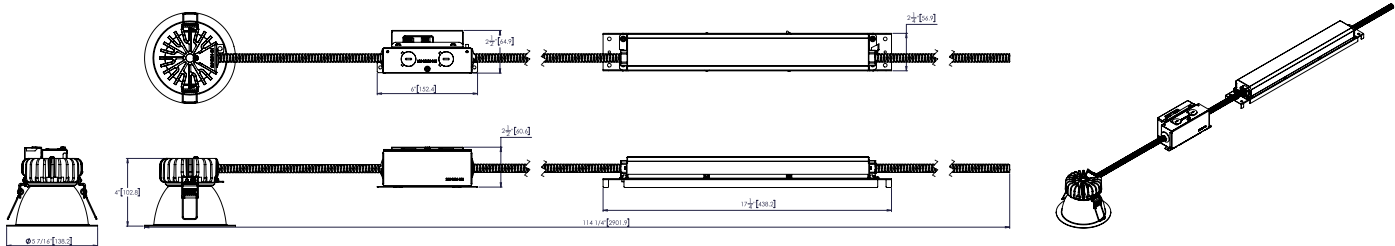
LBR4 SWW1 AL01/2 xxx xxx MVOLT DALI



LBR4 SWW1 AL0x xx xxx MVOLT UGZ QDS



LBR4 SWW1 AL0x xx xxx MVOLT UGZ EC1

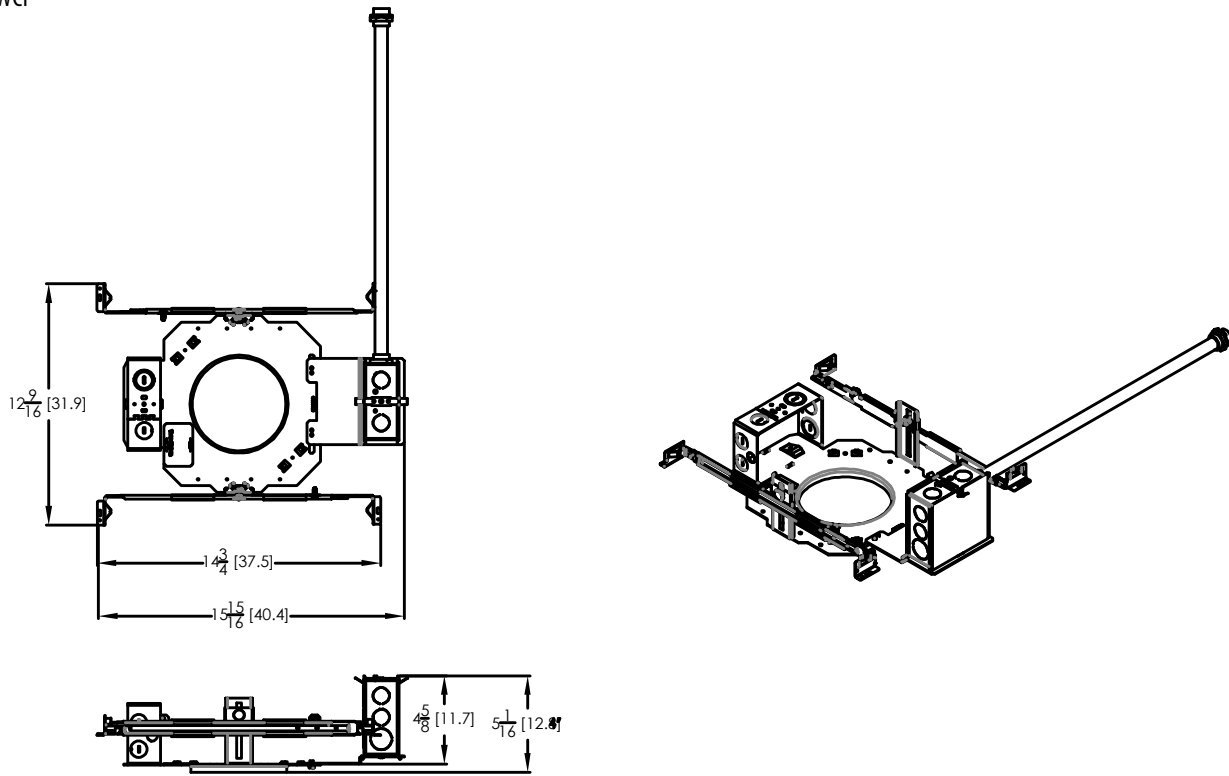


LBR4 SWW1 AL0x xx xxx MVOLT UGZ ELR

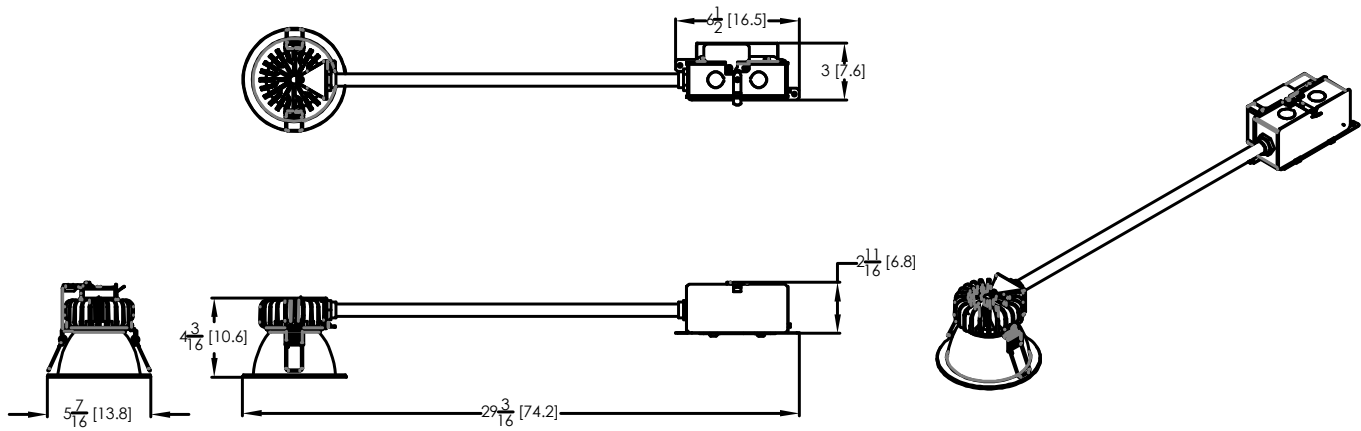
# LBR4

\* All dimensions are inches (millimeters) unless otherwise noted.

## LBR4PFWCP



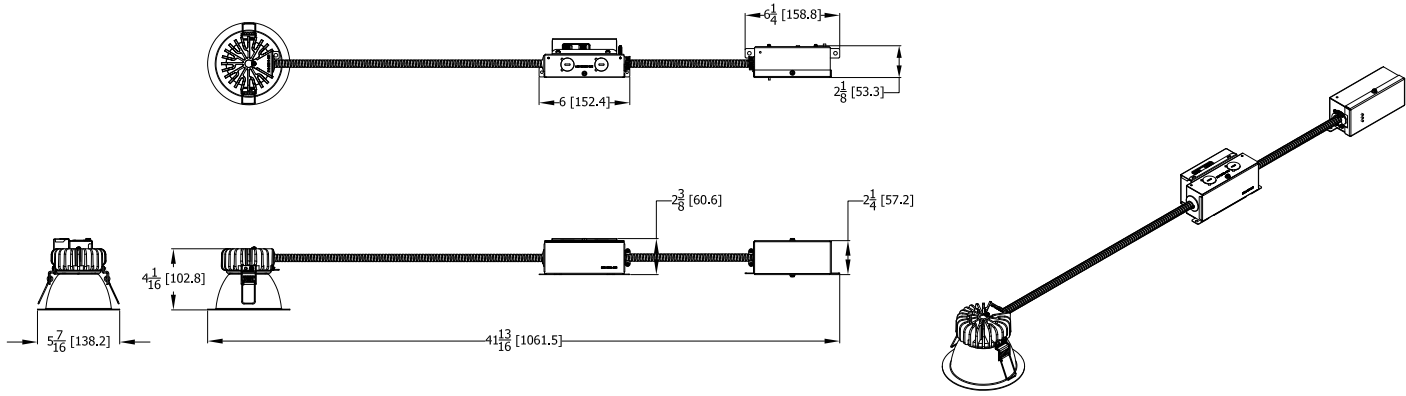
## LBR4 SWW1 ALOx MVOLT UGZ CP



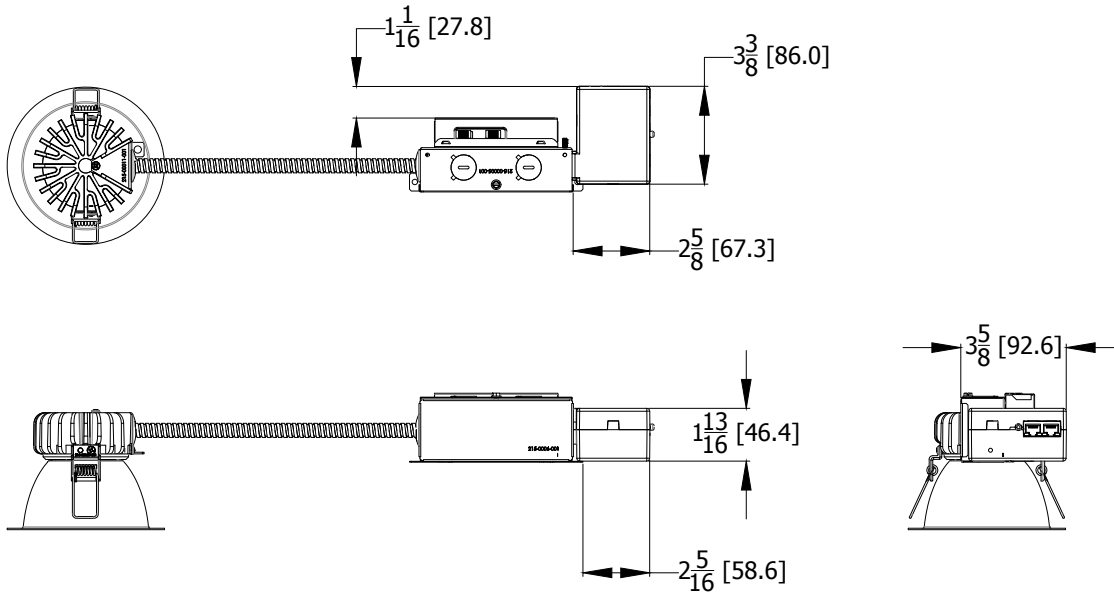
# LBR4

\* All dimensions are inches (millimeters) unless otherwise noted.

## LBR4 ALOx SWW1 xx xxx 347 UGZ



## LBRx nLIGHT



PLENUM DEPTH TABLE				
Aperture Size/Output	Plenum Depth*	IC	Non-IC	Non-IC Marked Spacing
LBR4 500-1000 Lumen	3.44	X		
LBR4 1000-2000 Lumen	3.44		X	
LBR4 2000-3000 Lumen	-			24x24x9
LBR4 4000-5000 Lumen	-			24x24x9

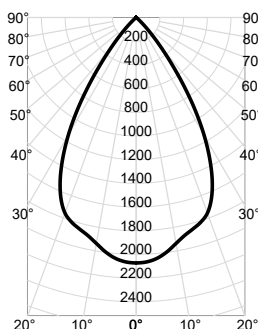
\*Above unfinished 1/2" ceiling plane

CEILING COVERAGE TABLE								
Series		Aperture	Trim Flange OD	Min ceiling opening	Ceiling Thickness	Max ceiling opening	Max Ceiling Opening with Goof Ring	Overall Goof Ring OD
LBR4	ROUND	4-1/4"	5-7/16"	4-1/2"	1/2"	5-1/8"	5-1/8"	7-1/4"
LBR4					1-1/2"		5-3/4"	

PHOTOMETRY

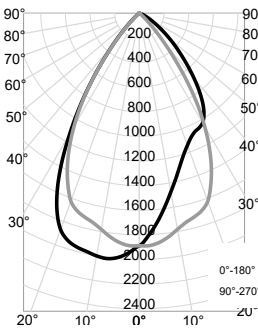
Distribution Curve	Distribution Data	Output Data	Coefficient of Utilization	Illuminance Data at 30" Above Floor for a Single Luminaire
--------------------	-------------------	-------------	----------------------------	--

LBR4 SWW1 AL02 AR LSS MWD MVOLT UGZ, Input Watts: 18.1, Delivered Lumens: 1929, LPW: 106.6, S/MH: 0.98, Test No: 20-518-01



CP Summary		Zonal Lumen Summary		Coefficients of Utilization								Cone of Light			Luminance (cd/sq.m)			
0°	Zone	Lumens	% Fixture	pf	50%		80%		20%		70%		50%		Mounting Height	Initial FC Center Beam	Beam Diameter	Average Luminance
				pc	50%	30%	10%	50%	30%	10%	50%	30%	10%					
0°	0° - 30°	1,396	72%	0	119	119	119	116	116	116	111	111	111	6.0	57.6	7.3	0°	231,856
5°	0° - 40°	1,828	95%	1	111	108	106	109	107	105	105	103	101	8.0	32.4	9.7	45°	15,711
15°	0° - 60°	1,926	100%	2	103	99	96	102	98	95	98	95	93	10.0	20.7	12.1	55°	858
25°	0° - 90°	1,929	100%	3	96	91	88	95	90	87	92	89	85	12.0	14.4	14.6	65°	529
35°	90° - 180°	0	0%	4	90	85	80	89	84	80	87	82	79	14.0	10.6	17.0	75°	346
45°	0° - 180°	1,929	100%	5	84	79	74	83	78	74	82	77	73				85°	257
55°		4		6	79	73	69	78	73	69	77	72	68					
65°		2		7	74	68	64	74	68	64	73	67	64					
75°		1		8	70	64	60	70	64	60	68	63	60					
85°		0		9	66	60	56	66	60	56	65	60	56					
90°		0		10	63	57	53	62	57	53	61	56	53					

LBR4WW SWW1 AL02 AR LSS WW MVOLT UGZ, Input Watts: 18.1, Delivered Lumens: 1922, LPW: 106.2, S/MH: 0.73, Test No: 20-518-02



CP Summary		Zonal Lumen Summary		Coefficients of Utilization								Luminance (cd/sq.m)					
0°	90°	Zone	Lumens	% Fixture	pf	50%		80%		20%		70%		50%		Average Luminance	
					pc	50%	30%	10%	50%	30%	10%	50%	30%	10%			
0°	1,888	1,888	0° - 30°	1,242	65%	0	119	119	119	116	116	111	111	111	111	45°	76,388
5°	1,698	1,868	0° - 40°	1,686	88%	1	110	108	105	108	106	104	104	102	100	55°	36,885
15°	1,279	1,714	0° - 60°	1,900	99%	2	102	98	94	100	96	93	97	94	91	65°	13,210
25°	1,064	1,383	0° - 90°	1,922	100%	3	95	89	85	93	88	84	90	86	83	75°	4,496
35°	899	673	90° - 180°	0	0%	4	88	82	77	87	81	77	84	80	76	85°	1,284
45°	483	101	0° - 180°	1,922	100%	5	82	76	71	81	75	71	79	74	70		
55°	189	8			6	76	70	65	75	70	65	74	69	65			
65°	50	5			7	71	65	61	71	65	60	69	64	60			
75°	10	2			8	67	61	56	66	60	56	65	60	56			
85°	1	0			9	63	57	52	62	56	52	61	56	52			
90°	0	0			10	59	53	49	59	53	49	58	53	49			

LUMEN OUTPUT MULTIPLIERS - CCT			
3000K	3500K	4000K	5000K
0.98	1.0	1.01	1.03

LUMEN OUTPUT MULTIPLIERS - FINISH	
Clear Semi-spec (AR LSS)	1.0
Metallic Silver (MS)	0.84
White Painted (WR)	1.03
Black Painted (BR)	0.60

LUMEN OUTPUT MULTIPLIERS - CRI	
80	1.0
90	0.874

**HOW TO ESTIMATE DELIVERED LUMENS IN EMERGENCY MODE**

Use the formula below to estimate the delivered lumens in emergency mode

**Delivered Lumens = 1.25 x P x LPW**

P = Output power of emergency driver. P = 10W for PS1055CP

LPW = Lumen per watt rating of the luminaire. This information is available on the ABL luminaire spec sheet.

The LPW rating is also available at [Designlight Consortium](http://Designlight Consortium).

**Emergency Battery Pack Options - Field Installable**

Battery Model Number	Wattage	Runtime (Minutes)	Lumen Output* @ 120 Lumens/Watt	Other
<a href="#">ILB CP07 2H A</a>	7W	120	840	Storm Shelter / 2 Hour Runtime
<a href="#">ILB CP10 A</a>	10W	90	1200	
<a href="#">ILBLP CP10 HE SD A+</a>	10W	90	1200	Title 20, Self Diagnostic
<a href="#">ILBLP CP15 HE SD A+</a>	15W	90	1800	Title 20, Self Diagnostic
<a href="#">ILB CP20 HE A</a>	20W	90	2400	Title 20
<a href="#">ILB CP20 HE SD A</a>	20W	90	2400	Title 20, Self Diagnostic
<a href="#">ILBHI CP10 HE SD A+</a>	10W	90	1200	347-480V AC Input, Title 20, Self Diagnostic
<a href="#">ILBHI CP15 HE SD A+</a>	15W	90	1800	347-480V AC Input, Title 20, Self Diagnostic

All the above are UL Listed products that are certified for field install external/remote to the fixture.

\*Minimum delivered lumen output to assist in product selection for increased fixture mounting height.

The CP10 delivered emergency illumination outperforms legacy 1400 lumen fluorescent emergency ballast.

Please contact us at [productsupportemergency@acuitybrands.com](mailto:productsupportemergency@acuitybrands.com) for any Emergency Battery related questions.

## DIMMER COMPATIBILITY

Not compatible with DALI or DMX dimmers. For specific compatible dimmers see below.

LINE VOLTAGE DIMMING:						
Type	Forward Phase	ALO1 (500-1000lm)	ALO2 (1000-2000lm)	ALO3 (2000-3000lm)	ALO4 (3000-5000lm)	Comment
MLV	Sensorswitch WPD	YES	YES	YES	YES	
MLV	Sensorswitch CMR PDT10 ADC VLP	YES	YES	YES	YES	
MLV	Synergy ISD 600LV	YES, 2x *	YES	YES	YES	* min 2 fixtures
INC	Synergy ISD 600 I	YES, 2x *	YES	YES	YES	* min 2 fixtures
MLV	Lutron Glyder GLV-600	YES	YES	YES	YES	
INC	Leviton SureSlide 6633	YES	YES	YES	YES	
MLV	Lutron Diva DVLV-600P	YES	YES	YES	YES	
MLV	Lutron Skylark SLV-600P	YES	YES	YES	YES	
INC	Lutron RadioRA 2 10ND	YES	YES	YES	YES	
MLV	Leviton SureSlide 6613-PLW	YES	YES	YES	YES	
INC	Lutron Diva DVCL-153P	YES	YES	YES	YES	
MLV	Leviton IPM06	YES, 2x *	YES	YES	YES	* min 2 fixtures
INC	<b>Leviton IPI06</b>	YES, 2x *	YES	YES	YES	* min 2 fixtures
INC	<b>Control4 C4-FPD 120</b>	YES	YES	YES	YES	
Type	Reverse Phase Dimmer Bank	ALO1 (500-1000lm)	ALO2 (1000-2000lm)	ALO3 (2000-3000lm)	ALO4 (3000-5000lm)	
ELV	Lutron Nova T NTELV-600	YES	YES	YES	YES	
ELV	Lutron Diva DVELV 600P	YES	YES	YES	YES	
ELV	Lutron Maestro MAELV 600	YES	YES	YES	YES	
ELV	Leviton Vizia VPE06-1LX	YES	YES	YES	YES	
ELV	<b>Leviton Illumatech IPE04</b>	YES	YES	YES	YES	
ELV	<b>Control4 C4-APD 120 REVERSE PHASE</b>	YES	YES	YES	YES	
Type	Miscellaneous Dimmers	ALO1 (500-1000lm)	ALO2 (1000-2000lm)	ALO3 (2000-3000lm)	ALO4 (3000-5000lm)	
PHA	Lutron RadioRA2 RRD-6NA	YES	YES	YES	YES	
PHA	<b>Lutron Maestro PRO LED+ RRD-PRO</b>	YES	YES	YES	YES	
Type	Control Systems	ALO1 (500-1000lm)	ALO2 (1000-2000lm)	ALO3 (2000-3000lm)	ALO4 (3000-5000lm)	
MLV	Lutron LP-RPM-4U	YES	YES	YES	YES	
PHA	Lutron LP-RPM-4A	YES	YES	YES	YES	
MLV	Lutron GRAPHIC EYE QSGRJ-3P	YES	YES	YES	YES	
PHA	Lutron PA Power Module PHPM-PA-120	YES	YES	YES	YES	
ELV	Lutron nLight nSP5PCD ELV	YES	YES	YES	YES	

## DIMMER COMPATIBILITY

Not compatible with DALI or DMX dimmers. For specific compatible dimmers see below.

0-10V DIMMING:							
Manufacturer	System Type	Description	P/N	ALO1 (500-1000lm)	ALO2 (1000-2000lm)	ALO3 (2000-3000lm)	ALO4 (3000-5000lm)
ACUITY	Wall Box	sensorswitch, dimming switch with multi-way option	SPODMRA	YES	YES	YES	YES
ACUITY	Wall Box	sensorswitch, wall switch sensor, occupancy controlled dimming	WSX D WH	YES	YES	YES	YES
ACUITY	Control System	nLight	nPP16D	YES	YES	YES	YES
ACUITY	Control System	nLight	nPS 80 EZ	YES	YES	YES	YES
ACUITY	Control System	nLight Air	rPP20 D	YES	YES	YES	YES
Lutron	Other	0-10V (sink or source) PowPak wireless dimming module	RMJ-5T-DV-B	YES	YES	YES	YES
Wattstopper	Control System	Digital single relay room controller (0-10V)	LMRC-211	YES	YES	YES	YES
Crestron	Control System	DIN Rail 0-10V fluorescent dimmer, 4 feeds, 4 channels (Green Light System)	DIN-4DIMFLV4	YES	YES	YES	YES
Lutron	Other	Grafik Eye 0-10V adapter	GRX-TVI	YES	YES	YES	YES
Leviton	Wall Box	Illumatech 0-10V	IP710-DLX	YES	YES	YES	YES
Lutron	Control System	Mounted in the Homeworks QS panel - 0-10V dimmer (sink or source)	GRX-TVM2	YES	YES	YES	YES
Lutron	Wall Box	Nova 0-10V wallbox dimmer (use with PP-120-H line voltage relay)	NFTTV	YES	YES	YES	YES
Lutron	Wall Box	Nova 0-10V wallbox dimmer (use with PP-120-H line voltage relay)	NTSTV-DV	YES	YES	YES	YES
Lutron	Wall Box	Nova T	NFTV	YES	YES	YES	YES
Leviton	Wall Box	Renior II 0-10V	AWSMG-7DW	YES	YES	YES	YES