

## FEATURES & SPECIFICATIONS

**INTENDED USE** — Typical applications include corridors, lobbies, conference rooms and private offices.  
**CONSTRUCTION** — Retrofit, remodel, and new construction mounting types. See table for compatible ceiling openings and thickness range.

Optional goof rings available for additional overlap trim coverage.

1/2"-1-1/2" ceiling thickness

25° ambient temperature

IC rated up to 1000lm

**OPTICS** — 55° cutoff

New construction frame accessories approved for 8 (4 in/4 out) No. 12 AWG conductors rated for 90°C through wiring.

1.0 S/MH standard (wallwash reflector available)

80CRI standard (90CRI optional)

**ELECTRICAL** — Adjustable lumen output with three module options. Fixed lumen options also available. MVOLT 120/277V 50/60Hz driver (0-10V & 120V Phase Dimming to 10% or 1% min dimming level)

100LPW typical

FCC CFR Title 47 Part 15 Class A for 277V. FCC CFR Title 47 Part 15 Class B for 120V.

L80 at 60,000 hours

3 SDCM

**LISTINGS** — Certified to US and Canadian safety standards. Title 24 compliant (90CRI, up to 1000lm) Damp location standard (Wet location, covered ceiling optional). Some configurations are ENERGY STAR® certified, please visit [www.energystar.gov](http://www.energystar.gov) for specific products. TAA compliant. UFC (3-530-01) specification compliant for power factor and THD. GSA P100 6.2.4 compliant for power quality at full output; compliant up to 2000lm at fully dimmed output.

**WARRANTY** — 5-year limited warranty. This is the only warranty provided and no other statements in this specification sheet create any warranty of any kind. All other express and implied warranties are disclaimed. Complete warranty terms located at:

[www.acuitybrands.com/support/warranty/terms-and-conditions](http://www.acuitybrands.com/support/warranty/terms-and-conditions)

**Note:** Actual performance may differ as a result of end-user environment and application.

All values are design or typical values, measured under laboratory conditions at 25 °C.

Specifications subject to change without notice.

Catalog Number
Notes
Type

# LBR10

10" OPEN



A+ Capable options indicated by this color background.

## Module ordering

### ORDERING INFORMATION

Lead times will vary depending on options selected. Consult with your sales representative.

**Example:** LBR10 ALO2 SWW1 AR LSS MWD MVOLT UGZ 90CRI

Series	Lumens ‡	Color temperature ‡	Reflector Color	Reflector Flange	Reflector Finish
LBR10 10" Retrofit	Adjustable Lumen Output	Switchable CCT	AR Clear	(blank) Self-flanged	LSS Semi-specular
LBR10WW 10" Retrofit	ALO1 500/750/1000lm	SWW1 3000K-3500K-4000K-5000K	WR ‡ White painted	TRW ‡ White painted flange	
Wallwash	ALO2 1000/1500/2000lm	Fixed CCT	BR ‡ Black painted	TRBL ‡ Black painted flange	
	ALO3 2000/2500/3000lm	30K 3000K			
	ALO4 4000/4500/5000lm	35K 3500K			
		40K 4000K			
		50K 5000K			

Distribution	Voltage	Driver	Options
MWD Medium wide (1.0 s/mh)	MVOLT 120	UGZ Universal dimming to 10% 0-10V; line voltage dimming (120V)	90CRI High CRI (90+)
WW ‡ Wallwash	277	UGZ1 Universal dimming to 1% 0-10V; line voltage dimming (120V)	AT ‡ Airtight
WD Wide (1.2s/mh)	347	DALI ‡ DALI dimming to 1%	E10WCP ‡ Batterypack (10W constant power) T20 Compliant integral test switch¹
		D10 ‡ Minimum dimming 10% driver for use with JOT	E10WCPR ‡ Batterypack (10W constant power) T20 Compliant remote test switch
		D1 ‡ Minimum dimming 1% driver for use with JOT	ELR ‡ Batterypack (10W constant power) Non-T20 Compliant remote test switch
			ETS ‡ IOTA ETS w/a restriction marking
			EC1 ‡ Extended Conduit (18")
			EC6 ‡ Extended Conduit (6ft)
			WL ‡ Wet Location (IP55)
			QDS ‡ Quick disconnect plugs
			CP ‡ Chicago Plenum
			JOT ‡ Wireless room control with "Just One Touch" pairing

nLight Options ‡	
NPS80EZ nLight® network power/relay pack with 0-10V dimming	NLTAIRER2 nLight® AIR Dimming Pack Wireless Controls. Controls fixtures on emergency circuit
NPS80EZER nLight® network power/relay pack with 0-10V dimming; ER controls fixtures on emergency circuit.	NLTAIREM2 nLight® AIR Dimming Pack Wireless Controls. UL924 Emergency Operation, via power interrupt detection.
NLTAIR2 nLight® Air enabled	

**NOTE:** ‡ indicates option value has ordering restrictions. Please reference the Option Value Ordering Restrictions chart on the next page.

## ‡ Option Value Ordering Restrictions

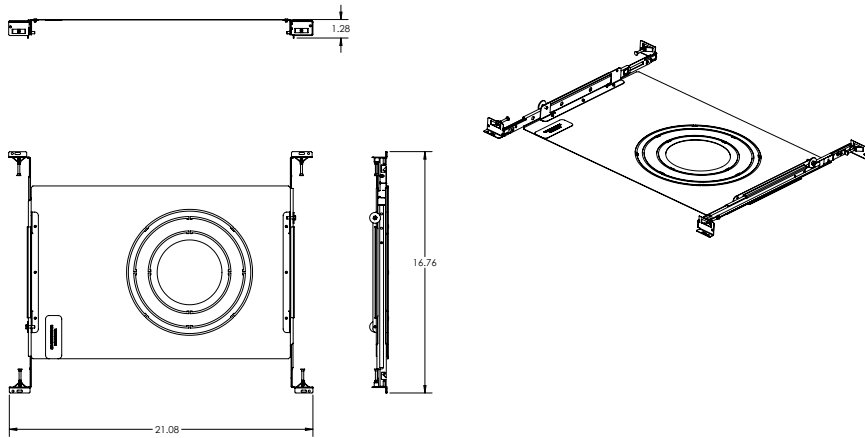
Options	Restriction
LUMENS	Adjustable Lumen Output and Switchable CCT must be specified together (for example: ALO1 SWW1).
LUMENS	Fixed Lumen Output and Fixed CCT must be specified together (for example: 10LM 30K).
AT	Standard for CP and IP55, not available with WW.
E10WCPR	Not available EC1, EC6, QDS, CP, 347V, NPP16D ER, NLTAIRER2, NLTAIREM2, ALO3 (2000-3000L) DALI OR JOT.
E10WCP	Not available with EC1, EC6, AT, QDS, CP, 347V, NPP16D ER, NLTAIRER2, NLTAIREM2, ALO3 (2000-3000L) DALI, JOT, or WL.
ELR	Not available EC1, EC6, QDS, CP, 347V, NPP16D ER, NLTAIRER2, NLTAIREM2, ALO3 (2000-3000L) DALI OR JOT.
EC6	Not available with CP, QDS, ELR, or E10WCPR.
WL	Not available with WW, All CP is wet locations, except WW (Damp). IP55 rated.
QDS	Not available CP, ELR, E10WCPR, or 347V.
EC1	Not available with CP, QDS, ELR, or E10WCPR.
JOT	Not available with CP, NPP16D, NPP16D ER, NLTAIR2, NLTAIRER2, NLTAIREM2, UGZ, or DALI drivers. Max 4500 lumens. Fixed lumens and CCT only.
NPS80EZ	Not available with CP, QDS, DALI, D1, OR D10 drivers. 120V OR 277V only. Not available with 347V.
NPS80EZR	Not available with CP, QDS, ELR, E10WCPR, DALI, D1, OR D10 drivers. 120V OR 277V only. Not available with 347V.
NLTAIR2	Not available with CP, QDS, DALI, D1, OR D10 drivers.
NLTAIRER2	Not available with CP, QDS, ELR, E10WCPR, DALI, D1, OR D10 drivers. Not available with 347V.
NLTAIREM2	Not available with CP, QDS, ELR, E10WCPR, DALI, D1, OR D10 drivers.
CP	Not available with, QDS, EC1, EC6, ELR, E10WCPR, 347V, JOT, NPP16D, NPP16D ER, NLTAIR2, NLTAIRER2, NLTAIREM2, D1, OR D10 drivers. Not available with square trim.
ETS	Not available with, QDS, ELR, E10WCPR, 347V, JOT, NPP16D, NPP16D ER, NLTAIR2, NLTAIRER2, NLTAIREM2, DALI, D1, OR D10 driver.
DALI	Not available with fixed lumens or CCT. Max 4500 lumens.
WW	Not available with WL, EL and E10WCP.
TRW	Available with clear (AR) reflector only.
TRBL	Available with clear (AR) reflector only.

Accessories: Order as separate catalog number. Shipped separately.	
LBR46810HB FPAN U	Mounting plate 4"-10" unit pack
LBR468HB FPAN J10	Mounting plate 4"-10" 10-pack
LBR SDT 347V 75W ASM	Field installed 347V Step-down transformer
LBR10AR LSS TRIM	10" clear, semi-specular reflector
LBR10** TRIM	10" reflector (** specify WR, BR)
LBR10AR LSS WW TRIM	10" clear, semi-specular wallwash
LBR10** WW TRIM	10" wallwash (** specify WR, BR)

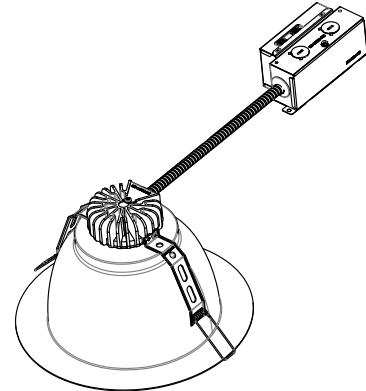
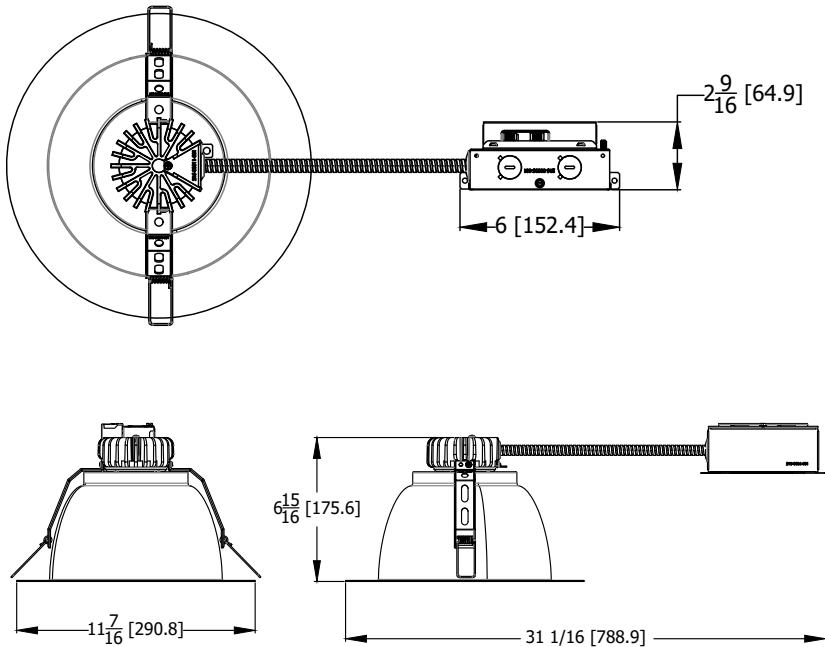
UL924 Sequence of Operation
The below information applies to all nLight AIR devices with an EM option.
<ul style="list-style-type: none"> <li>EM devices will remain at their high-end trim and ignore wireless lighting control commands, unless a normal-power-sensed (NPS) broadcast is received at least every 8 seconds.</li> <li>Using the CLAIRITY+ mobile app, EM devices must be associated with a group that includes a normal power sensing device to receive NPS broadcasts.</li> <li>Only non-emergency rPP20, rLSXR, rSBOR, rSDGR, and nLight AIR luminaires with version 3.4 or later firmware can provide normal power sensing for EM devices. See specification sheets for control devices and luminaires for more information on options that support normal power sensing.</li> </ul>

# LBR10

\* All dimensions are inches (millimeters) unless otherwise noted.



## LBR10 ALOx SWW1 xx xxx MVOLT UGZ

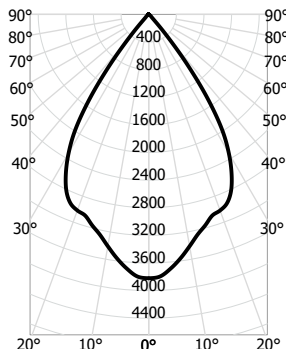


# LBR10

## PHOTOMETRY

Distribution Curve	Distribution Data	Output Data	Coefficient of Utilization	Illuminance Data at 30" Above Floor for a Single Luminaire
--------------------	-------------------	-------------	----------------------------	--

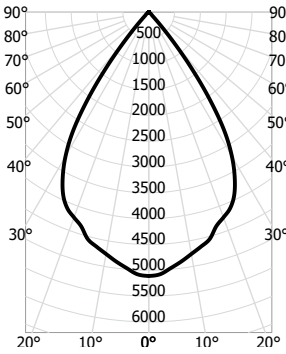
**LBR10 ALO3 (3000LM) SWW1 (3500K) AR LSS MWD 80CRI** Input Watts: 38.5, Delivered Lumens: 3514, LPW: 91.3, S/MH: 0.96, Test No: 21-349-7P67



CP Summary	Zonal Lumen Summary				Coefficients of Utilization										Cone of Light			Luminance (cd/sq.m)				
	0°	Zone	Lumens	% Fixture	pf	80%		20%		70%		50%		Mounting Height	Initial FC Center Beam	Beam Diameter	Average Luminance					
						pw	50%	30%	10%	50%	30%	10%	50%				30%	10%	0°	45°		
0°	3822	0° - 30°	2508	71%	0	0	0	0	0	0	0	0	0	0	0	0	0	6.0 ft	106.2 fc	7.7 ft	0°	110015
5°	3692	0° - 40°	3386	96%	1	0	0	0	0	0	0	0	0	0	0	0	0	8.0 ft	59.7 fc	10.3 ft	45°	3061
15°	3163	0° - 60°	3505	100%	2	0	0	0	0	0	0	0	0	0	0	0	0	10.0 ft	38.2 fc	12.9 ft	55°	861
25°	2821	0° - 90°	3514	100%	3	0	0	0	0	0	0	0	0	0	0	0	0	12.0 ft	26.5 fc	15.5 ft	65°	372
35°	1487	90° - 180°	0	0%	4	0	0	0	0	0	0	0	0	0	0	0	0	14.0 ft	19.5 fc	18.1 ft	75°	272
45°	75	0° - 180°	3514	100%	5	0	0	0	0	0	0	0	0	0	0	0	0				85°	187
55°	17				6	0	0	0	0	0	0	0	0	0	0	0	0					
65°	5				7	0	0	0	0	0	0	0	0	0	0	0	0					
75°	2				8	0	0	0	0	0	0	0	0	0	0	0	0					
85°	1				9	0	0	0	0	0	0	0	0	0	0	0	0					
90°	0				10	0	0	0	0	0	0	0	0	0	0	0	0					

Beam Angle: 65.7°  
Field Angle: 81.1°

**LBR10 ALO4 (5000LM) SWW1 (3500K) AR LSS 80CRI** Input Watts: 49.3, Delivered Lumens: 4923, LPW: 99.9, S/MH: 0.96, Test No: 21-350-19P55



CP Summary	Zonal Lumen Summary				Coefficients of Utilization										Cone of Light			Luminance (cd/sq.m)				
	0°	Zone	Lumens	% Fixture	pf	80%		20%		70%		50%		Mounting Height	Initial FC Center Beam	Beam Diameter	Average Luminance					
						pw	50%	30%	10%	50%	30%	10%	50%				30%	10%	0°	45°		
0°	5111	0° - 30°	3506	71%	0	0	0	0	0	0	0	0	0	0	0	0	0	6.0 ft	142.0 fc	7.8 ft	0°	147138
5°	4974	0° - 40°	4730	96%	1	0	0	0	0	0	0	0	0	0	0	0	0	8.0 ft	79.9 fc	10.4 ft	45°	4534
15°	4554	0° - 60°	4911	100%	2	0	0	0	0	0	0	0	0	0	0	0	0	10.0 ft	51.1 fc	13.0 ft	55°	1144
25°	3917	0° - 90°	4923	100%	3	0	0	0	0	0	0	0	0	0	0	0	0	12.0 ft	35.5 fc	15.7 ft	65°	523
35°	2049	90° - 180°	0	0%	4	0	0	0	0	0	0	0	0	0	0	0	0	14.0 ft	26.1 fc	18.3 ft	75°	374
45°	111	0° - 180°	4923	100%	5	0	0	0	0	0	0	0	0	0	0	0	0				85°	277
55°	23				6	0	0	0	0	0	0	0	0	0	0	0	0					
65°	8				7	0	0	0	0	0	0	0	0	0	0	0	0					
75°	3				8	0	0	0	0	0	0	0	0	0	0	0	0					
85°	1				9	0	0	0	0	0	0	0	0	0	0	0	0					
90°	0				10	0	0	0	0	0	0	0	0	0	0	0	0					

Beam Angle: 66.3°  
Field Angle: 82.1°

# LBR10

## LBR ROUND LUMEN TABLES

LBR10 MWD		80CRI							
Lumen Output	Wattage	3000K		3500K		4000K		5000K	
		Delivered Lumens	LPW	Delivered Lumens	LPW	Delivered Lumens	LPW	Delivered Lumens	LPW
AL01 (500LM)	6	570	94	579	95	586	96	594	96
AL01 (750LM)	9	856	96	871	96	882	97	893	98
AL01 (1000LM)	13	1195	92	1215	93	1230	94	1245	95
AL02 (1000LM)	12	1281	105	1302	106	1318	107	1335	107
AL02 (1500LM)	19	1887	102	1919	103	1943	103	1967	104
AL02 (2000LM)	25	2398	97	2439	98	2469	98	2500	99
AL03 (2000LM)	25	2500	100	2543	101	2574	101	2606	102
AL03 (2500LM)	32	3027	95	3079	96	3116	97	3156	97
AL03 (3000LM)	38	3456	90	3515	91	3558	92	3603	92
AL04 (4000LM)	39	4020	104	4102	106	4184	108	4225	109
AL04 (4500LM)	44	4436	101	4527	103	4618	105	4663	106
AL04 (5000LM)	49	4825	98	4923	100	5021	102	5071	103

LBR10 MWD		90CRI							
Lumen Output	Wattage	3000K		3500K		4000K		5000K	
		Delivered Lumens	LPW	Delivered Lumens	LPW	Delivered Lumens	LPW	Delivered Lumens	LPW
AL01 (500LM)	6	473	78	481	80	487	80	493	81
AL01 (750LM)	9	711	79	723	81	732	82	741	83
AL01 (1000LM)	13	992	77	1008	78	1021	79	1034	80
AL02 (1000LM)	12	1063	87	1081	89	1094	90	1108	91
AL02 (1500LM)	19	1566	84	1593	86	1613	87	1633	88
AL02 (2000LM)	25	1991	80	2024	82	2049	83	2075	84
AL03 (2000LM)	25	2075	83	2110	84	2136	85	2163	86
AL03 (2500LM)	32	2513	79	2555	80	2587	81	2619	82
AL03 (3000LM)	38	2868	75	2917	76	2953	77	2990	78
AL04 (4000LM)	39	3337	86	3405	88	3473	90	3507	91
AL04 (4500LM)	44	3682	84	3757	86	3833	87	3870	88
AL04 (5000LM)	49	4004	81	4086	83	4168	85	4209	85

LBR10 WD		80CRI							
Lumen Output	Wattage	30K/80CRI		35K/80CRI		40K/80CRI		50K/80CRI	
		Delivered Lumens	LPW	Delivered Lumens	LPW	Delivered Lumens	LPW	Delivered Lumens	LPW
AL01 (500LM)	6	525	90	535	92	546	94	552	95
AL01 (750LM)	9	789	88	805	90	821	92	829	93
AL01 (1000LM)	13	1101	85	1123	86	1145	88	1157	89
AL02 (1000LM)	13	1180	94	1204	96	1228	98	1240	99
AL02 (1500LM)	19	1739	92	1774	94	1810	96	1827	97
AL02 (2000LM)	25	2210	88	2255	90	2300	92	2322	93
AL03 (2000LM)	25	2303	93	2350	94	2398	96	2421	97
AL03 (2500LM)	32	2789	88	2846	90	2903	92	2931	93
AL03 (3000LM)	38	3184	84	3249	86	3314	88	3346	89
AL04 (4000LM)	39	3700	96	3775	98	3851	99	3888	100
AL04 (4500LM)	44	4083	93	4166	95	4250	97	4291	98
AL04 (5000LM)	49	4440	90	4531	92	4621	94	4667	95

LBR10 WD		90CRI							
Lumen Output	Wattage	30K/80CRI		35K/80CRI		40K/80CRI		50K/80CRI	
		Delivered Lumens	LPW	Delivered Lumens	LPW	Delivered Lumens	LPW	Delivered Lumens	LPW
AL01 (500LM)	6	436	75	444	77	453	78	458	79
AL01 (750LM)	9	655	73	668	75	682	76	688	77
AL01 (1000LM)	13	913	70	932	72	951	73	960	74
AL02 (1000LM)	13	979	78	999	80	1019	82	1029	82
AL02 (1500LM)	19	1443	76	1473	78	1502	80	1517	80
AL02 (2000LM)	25	1834	73	1871	75	1909	76	1928	77
AL03 (2000LM)	25	1912	77	1951	78	1990	80	2009	81
AL03 (2500LM)	32	2315	73	2362	75	2409	76	2433	77
AL03 (3000LM)	38	2643	70	2697	71	2751	73	2777	74
AL04 (4000LM)	39	3071	79	3133	81	3196	83	3227	83
AL04 (4500LM)	44	3389	77	3458	79	3527	80	3562	81
AL04 (5000LM)	49	3685	75	3761	76	3836	78	3873	79

# LBR10

LUMEN OUTPUT MULTIPLIERS - CCT			
3000K	3500K	4000K	5000K
0.98	1.0	1.01	1.03

LUMEN OUTPUT MULTIPLIERS - FINISH	
Specular (LS)	1.00
White (WR)	1.03
Black (BR)	0.60

## HOW TO ESTIMATE DELIVERED LUMENS IN EMERGENCY MODE

Use the formula below to estimate the delivered lumens in emergency mode

$$\text{Delivered Lumens} = 1.25 \times P \times \text{LPW}$$

P = Output power of emergency driver. P = 10W for PS1055CP

LPW = Lumen per watt rating of the luminaire. This information is available on the ABL luminaire spec sheet.

The LPW rating is also available at [Designlight Consortium](#).

PLENUM DEPTH TABLE				
Aperture Size/Output	Fixture Height*	IC	NON-IC	NON-IC MARKED SPACINGS
LBR10 500-1000 LM	6.44	X		
LBR10 1000-2000 LM	6.44		X	
LBR10 2000-3000 LM	6.44		X	24 x 24 x 9
LBR10 4000-5000 LM	6.44		X	24 x 24 x 9

\*Above unfinished 1/2" ceiling plane

CEILING COVERAGE TABLE						
Series		Aperture	Trim Flange OD	Min ceiling opening	Ceiling Thickness	Max ceiling opening
LBR10	ROUND	8-1/4"	11-7/16"	8-3/4"	1/2"	10-1/4"
LBR10WW					1-1/2"	

## DIMMER COMPATIBILITY

Not compatible with DALI or DMX dimmers. For specific compatible dimmers see below.

LINE VOLTAGE DIMMING:					
Type	Forward Phase	S (500-1000lm)	M (1000-2000lm)	L (2000-3000lm)	Comment
MLV	Lutron Glyder GLV-600	YES	YES	YES	
INC	Leviton SureSlide 6633	YES	YES	YES	
MLV	Lutron Diva DVLV-600P	YES	YES	YES	
MLV	Lutron Skylark SLV-600P	YES	YES	YES	
INC	Lutron RadioRA 2 10ND	YES	YES	YES	
MLV	Leviton SureSlide 6613-PLW	YES	YES	YES	
INC	Lutron Diva DVCL-153P	YES	YES	YES	
MLV	Leviton IPM06	YES, 2x *	YES	YES	* min 2 fixtures
INC	Leviton IPI06	YES, 2x *	YES	YES	* min 2 fixtures
MLV	Synergy ISD 600LV	YES, 2x *	YES	YES	* min 2 fixtures
INC	Synergy ISD 600 I	YES, 2x *	YES	YES	* min 2 fixtures
INC	Control4 C4-FPD 120	YES	YES	YES	
Type	Reverse Phase Dimmer Bank	S (500-1000lm)	M (1000-2000lm)	L (2000-3000lm)	
ELV	Lutron Nova T NTELV-600	YES	YES	YES	
ELV	Lutron Diva DVELV 600P	YES	YES	YES	
ELV	Lutron Maestro MAELV 600	YES	YES	YES	
ELV	Leviton Vizia VPE06-1LX	YES	YES	YES	
ELV	Leviton Illumatech IPE04	YES	YES	YES	
ELV	Control4 C4-APD 120 REVERSE PHASE	YES	YES	YES	
Type	Miscellaneous Dimmers	S (500-1000lm)	M (1000-2000lm)	L (2000-3000lm)	
PHA	Lutron RadioRA2 RRD-6NA	YES	YES	YES	
PHA	Lutron Maestro PRO LED+ RRD-PRO	YES	YES	YES	
Type	Control Systems	S (500-1000lm)	M (1000-2000lm)	L (2000-3000lm)	
MLV	Lutron LP-RPM-4U	YES	YES	YES	
PHA	Lutron LP-RPM-4A	YES	YES	YES	
MLV	Lutron GRAPHIC EYE QSGRJ-3P	YES	YES	YES	
PHA	Lutron PA Power Module PHPM-PA-120	YES	YES	YES	
ELV	Lutron nLight nSP5PCD ELV	YES	YES	YES	

## DIMMER COMPATIBILITY

Not compatible with DALI or DMX dimmers. For specific compatible dimmers see below.

0-10V DIMMING:						
Manufacturer	System Type	Description	P/N	S (500-1000lm)	M (1000-2000lm)	L (2000-3000lm)
Lutron	Other	0-10V (sink or source) PowPak wireless dimming module	RMJ-5T-DV-B	YES	YES	YES
Wattstopper	Control System	Digital single relay room controller (0-10V)	LMRC-211	YES	YES	YES
Crestron	Control System	DIN Rail 0-10V fluorescent dimmer, 4 feeds, 4 channels (Green Light System)	DIN-4DIMFLV4	YES	YES	YES
Lutron	Other	Grafik Eye 0-10V adapter	GRX-TVI	YES	YES	YES
Leviton	Wall Box	Illumatech 0-10V	IP710-DLX	YES	YES	YES
Lutron	Control System	Mounted in the Homeworks QS panel - 0-10V dimmer (sink or source)	GRX-TVM2	YES	YES	YES
Lutron	Wall Box	Nova 0-10V wallbox dimmer (use with PP-120-H line voltage relay)	NTFTV	YES	YES	YES
Lutron	Wall Box	Nova 0-10V wallbox dimmer (use with PP-120-H line voltage relay)	NTSTV-DV	YES	YES	YES
Lutron	Wall Box	Nova T	NFTV	YES	YES	YES
Leviton	Wall Box	Renior II 0-10V	AWSMG-7DW	YES	YES	YES
ACUITY	Wall Box	sensorswitch, wall switch sensor, occupancy controlled dimming	WSX D WH	YES	YES	YES
ACUITY	Control System	nLight	nPP16D	YES	YES	YES
ACUITY	Control System	nLight	nPS 80 EZ	YES	YES	YES
ACUITY	Control System	nLight Air	rPP20 D	YES	YES	YES