

Catalog Number
Notes
Type

FEATURES & SPECIFICATIONS

INTENDED USE — The adjustable LED iGimbal downlighting module is 80% more efficient than incandescent luminaires, performing for 35,000 hours or more with exceptional energy efficiency and near zero maintenance. The LED iGimbal is intended for sloped ceiling applications, grazing textured surfaces, wall washing, and highlighting artwork or other architectural features. Retrofits into most existing recessed downlighting installations or new construction and remodel applications.

CONSTRUCTION — Spun steel gimbal reflectors with 360° of rotation and at least 50° of adjustable tilt in both directions. Driver affixed to a static yoke to allow maximization of LED light engine rotation and pivot movements.

OPTICS — Diffused lens at end of mixing chamber to provide even light distribution for general illumination, equivalent to 65W incandescent flood lamp. Wide flood beam angle at >90°. Utilizes 2700K, 3000K and 4000K color temperature LEDs. CRI – 90+. The LED module maintains at least 70% light output for 35,000 hours.

ELECTRICAL — Primary power disconnect provided for simple connection to a dedicated LED connector in the housing. Dimming down to 15%.

INSTALLATION — Suitable for installation in standard height rough-in sections. E26 socket adapter (except in the state of California for configurations specified in footnotes on ordering information) and splice kit ships standard. This enables easy installation or permanent conversion to an LED source for Title 24 compliance. Trim retention is achieved by utilizing two side-mounted torsion springs to ensure a consistently tight fit with the ceiling and easy installation.

LISTINGS — ETL certified to US and Canadian safety standards. FCC Certified. ENERGY STAR® certified; Certified to the high efficacy requirements of California T24. Damp location listed.

WARRANTY — 5-year limited warranty. Complete warranty terms located at www.acuitybrands.com/CustomerResources/Terms_and_conditions.aspx

Note: Actual performance may differ as a result of end-user environment and application. All values are design or typical values, measured under laboratory conditions at 25 °C. Specifications subject to change without notice.

5iG

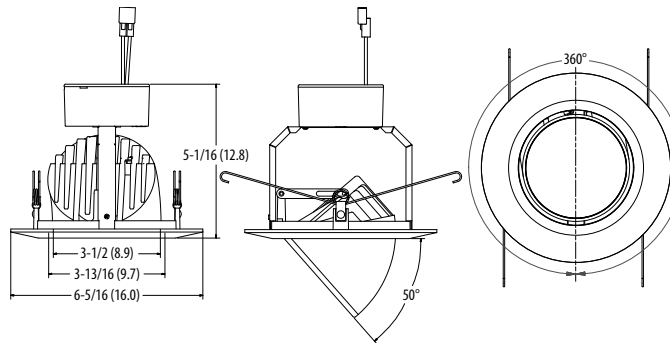
IC/Non-IC
Retrofit iGimbal



Specifications

Aperture:	3-1/2 (8.9)
Ceiling opening:	as rough-in
Height:	5-1/16 (12.8)
Overlap trim:	6-5/16 (16.0)

All dimensions are inches (centimeters) unless otherwise indicated.



E26 adaptor



Splice Kit (included)

ORDERING INFORMATION

Example: 5iGMW LED 27K 90CRI L5LED T24

5iG		LED		Voltage		Options	
Series/Finish		Lamp	CCT/CRI/W/Lumens ³		Voltage		Options
5iG	5" iGimbal module	MW	LED	27K 90CRI	(blank)	120V	L/SKTWHIP
		MB		30K 90CRI			No E26 Adapter (CA only)
		BN		40K 90CRI			L5LED T24
		ORB					L5RLED T24
							L5
							L5R

Accessories: Order as separate catalog number.

TSA5 Makes non-bracket housings compatible with LED module ; RK1 CG52178 E26 ADAPTER/MALE PLUG BAL DISC ASM E26 Adapter

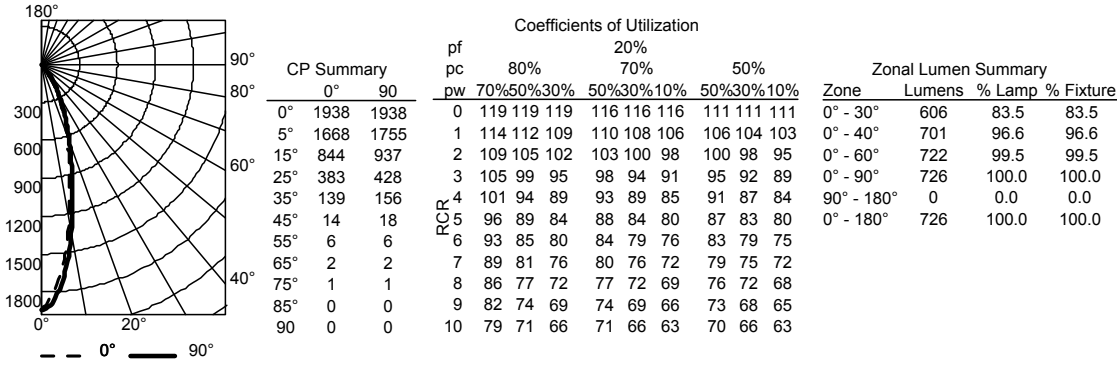
Notes

- L/SKTWHIP must be selected for MW product shipping to California.
- Minimum 90 day lead time for non-standard color finishes in 2700K, 3000K, AND 4000K color temperatures; minimum 50-piece order qty. Exception: MB finish in 3000K
- Total system delivered lumens.
- Must be ordered on a separate line.

5iG 5" LED iGimbal Module

PHOTOMETRICS

5iGMW LED, 2700 K LEDs, input watts: 11.8, delivered lumens: 726, LM/W=62, test no. LTL28991P1, tested in accordance with IESNA LM 79-80.



Distribution Curve

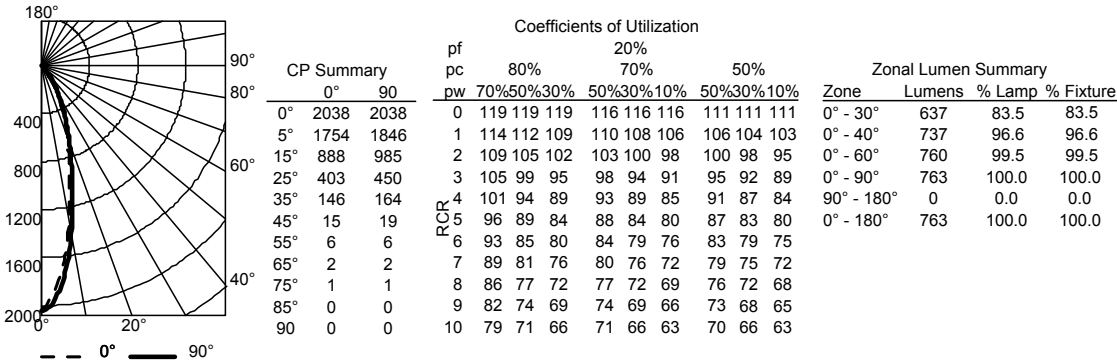
Distribution Data

Output Data

Coefficient of Utilization

Illuminance Data at 30" Above Floor for a Single Luminaire

5iGMW LED, 3000 K LEDs, input watts: 11.8, delivered lumens: 763, LM/W=65, test no. LTL28991, tested in accordance with IESNA LM 79-80.



Distribution Curve

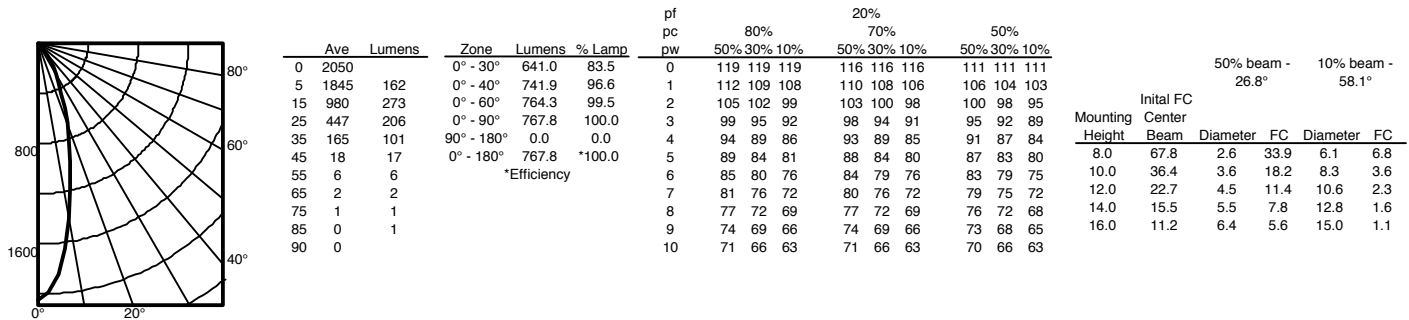
Distribution Data

Output Data

Coefficient of Utilization

Illuminance Data at 30" Above Floor for a Single Luminaire

5iGMW LED, 4000 K LEDs, input watts: 11.8, delivered lumens: 768, LM/W=65, test no. LTL28991P2,, tested in accordance with IESNA LM 79-80.



DIMMING AND ENERGY DATA

ENERGY DATA – 5iG*			
Lumens	720	750	770
watts	11.9	12.2	11.9
LPW	61	61	65
CRI	92	92	95
Color Temp	2700	3000	4000
Minimum Starting Temp	0°F (-18°C)	0°F (-18°C)	0°F (-18°C)
EMI/RFI	FCC Title 47 CFR, Part 15, Class B	FCC Title 47 CFR, Part 15, Class B	FCC Title 47 CFR, Part 15, Class B
Min. Power Factor	0.90	0.90	0.90
Input current	0.10A	0.10A	0.10A

*Values at non-dimming line voltage.

COMPATIBLE DIMMER SWITCHES			
Manufacturer	Model/Series	Part Numbers	Type
Sensor Switch	nLight	nSP5 PCD 2W	2-Way 575W Incandescent
		nSP5 PCD ELV 120	475W Electronic Low Voltage
Pass & Seymour	Harmony	HCL453PTCCCV6	3-Way 450W LED and CFL
Lutron	Skylark	SELV-300P	300W Electronic Low Voltage
	Nova T	NTELV-300P	300W Electronic Low Voltage
	Ariandni C-L	AYCL-153P-WH	150W CFL/LED or 600W incandescent
	Contour C-L	CTCL-153P-WH	150W CFL/LED or 600W incandescent
Synergy/Leviton	ISD	ISD 600 I 120 *	600W incandescent
Insteon	Insteon	2477D	Single-pole & 3-way, 600W, ELV

When installing the LED Modules on a run with a dimmer, please use the following rule of thumb when determining the number of fixtures controlled by a single dimmer:

- Figure that each LED fixture represents a 65 Watt load
- Divide the maximum load of the dimmer by 65 watt fixture load. (round down to the nearest whole number).

Example:

Dimmer max load=600 watts

LED fixture load=65 watts

600 watts/65 watts per fixture=9 fixtures per run

*Must have minimum of qty 6 LED modules on a circuit to function

5iG 5" LED iGimbal Module

LED lighting facts[®]
A Program of the U.S. DOE Lithonia Lighting

Light Output (Lumens)	720
Watts	11.9
Lumens per Watt (Efficacy)	60.5

Color Accuracy	92
Color Rendering Index (CRI)	

Light Color
Correlated Color Temperature (CCT) **2700 (Warm White)**

2700K 3000K 4500K 6500K

Warm White Bright White Daylight

All results are according to IESNA LM-79-2008. Approved Method for the Electrical and Photometric Testing of Solid-State Lighting. The U.S. Department of Energy (DOE) verifies product test data and results.

Visit www.lightingfacts.com for the *Label Reference Guide*.

Registration Number: NJSM-8154GI (11/9/2015)
Model Number: 5iGxx LED 27K 90CRI
Type: Luminaire - Downlight

LED lighting facts[®]
A Program of the U.S. DOE Lithonia Lighting

Light Output (Lumens)	750
Watts	12.21
Lumens per Watt (Efficacy)	61.43

Color Accuracy	92
Color Rendering Index (CRI)	

Light Color
Correlated Color Temperature (CCT) **3000 (Bright White)**

2700K 3000K 4500K 6500K

Warm White Bright White Daylight

All results are according to IESNA LM-79-2008. Approved Method for the Electrical and Photometric Testing of Solid-State Lighting. The U.S. Department of Energy (DOE) verifies product test data and results.

Visit www.lightingfacts.com for the *Label Reference Guide*.

Registration Number: NJSM-TH8HLX (12/16/2015)
Model Number: 5iGxx LED 30K 90CRI
Type: Retrofit Kit - Downlight

LED lighting facts[®]
A Program of the U.S. DOE Lithonia Lighting

Light Output (Lumens)	769
Watts	11.9
Lumens per Watt (Efficacy)	64.66

Color Accuracy	95
Color Rendering Index (CRI)	

Light Color
Correlated Color Temperature (CCT) **4000 (Bright White)**

2700K 3000K 4500K 6500K

Warm White Bright White Daylight

All results are according to IESNA LM-79-2008. Approved Method for the Electrical and Photometric Testing of Solid-State Lighting. The U.S. Department of Energy (DOE) verifies product test data and results.

Visit www.lightingfacts.com for the *Label Reference Guide*.

Registration Number: NJSM-30MH1W (12/17/2015)
Model Number: 5iGxx LED 40K 90CRI
Type: Retrofit Kit - Downlight