

**READ AND FOLLOW ALL SAFETY INSTRUCTIONS!
SAVE THESE INSTRUCTIONS AND DELIVER TO OWNER AFTER INSTALLATION**

- To reduce the risk of death, personal injury or property damage from fire, electric shock, falling parts, cuts/abrasions, and other hazards please read all warnings and instructions included with and on the fixture box and all fixture labels.
- Before installing, servicing, or performing routine maintenance upon this equipment, follow these general precautions.
- Installation and service of luminaires should be performed by a qualified licensed electrician.
- Maintenance of the luminaires should be performed by person(s) familiar with the luminaires' construction and operation and any hazards involved. Regular fixture maintenance programs are recommended.
- It will occasionally be necessary to clean the outside of the refractor/lens. Frequency of cleaning will depend on ambient dirt level and minimum light output which is acceptable to user. Refractor/lens should be washed in a solution of warm water and any mild, non-abrasive household detergent, rinsed with clean water and wiped dry. Should optical assembly become dirty on the inside, wipe refractor/lens and clean in above manner, replacing damaged gaskets as necessary.
- **DO NOT INSTALL DAMAGED PRODUCT!** This luminaire has been properly packed so that no parts should have been damaged during transit. Inspect to confirm. Any part damaged or broken during or after assembly should be replaced.
- **Recycle:** For information on how to recycle LED electronic products, please visit www.epa.gov.
- These instructions do not purport to cover all details or variations in equipment nor to provide every possible contingency to meet in connection with installation, operation, or maintenance. Should further information be desired or should particular problems arise which are not covered sufficiently for the purchaser's or owner's purposes, this matter should be referred to Acuity Brands Lighting, Inc.



**WARNING
RISK OF ELECTRIC SHOCK**

- ✓ Disconnect or turn off power before installation or servicing.
- ✓ Verify that supply voltage is correct by comparing it with the luminaire label information.
- ✓ Make all electrical and grounded connections in accordance with the National Electrical Code (NEC) and any applicable local code requirements.
- ✓ All wiring connections should be capped with UL approved recognized wire connectors.



**WARNING
RISK OF BURN**

- ✓ Allow lamp/fixture to cool before handling. Do not touch enclosure or light source.
- ✓ Do not exceed maximum wattage marked on luminaire label.
- ✓ Follow all manufacturer's warnings, recommendations and restrictions for: driver type, burning position, mounting locations/methods, replacement and recycling.



**CAUTION
RISK OF INJURY**

- ✓ Wear gloves and safety glasses at all times when removing luminaire from carton, installing, servicing or performing maintenance.
- ✓ Avoid direct eye exposure to the light source while it is on.



**CAUTION
RISK OF FIRE**

- ✓ Keep combustible and other materials that can burn, away from lamp/lens.
- ✓ Do not operate in close proximity to persons, combustible materials or substances affected by heat or drying.



CAUTION: RISK OF PRODUCT DAMAGE

- ✓ Never connect components under load.
- ✓ Do not mount or support these fixtures in a manner that can cut the outer jacket or damage wire insulation.
- ✓ Controls for dimming, auto-sensing, or remote control of a luminaire that are not factory-wired to the luminaire must be checked for compatibility with the luminaire prior to installation. LED fixtures must be powered directly off a switched circuit.
- ✓ Unless individual product specifications deem otherwise: Do not restrict fixture ventilation. Allow for some volume of airspace around fixture. Avoid covering LED fixtures with insulation, foam, or other material that will prevent convection or conduction cooling.
- ✓ Unless individual product specifications deem otherwise: Do not exceed fixtures maximum ambient temperature.
- ✓ Only use fixture in its intended location.
- ✓ LED products are Polarity Sensitive. Ensure proper Polarity before installation.
- ✓ Electrostatic Discharge (ESD): ESD can damage LED fixtures. Personal grounding equipment must be worn during all installation or servicing of the unit.
- ✓ Do not touch individual electrical components as this can cause ESD, shorten lamp life, or alter performance.
- ✓ Some components inside the fixture may not be serviceable. In the unlikely event your unit may require service, stop using the unit immediately and contact an ABL representative for assistance.
- ✓ Always read the fixtures complete installation instructions prior to installation for any additional fixture specific warnings.
- ✓ Always ensure that the electrical distribution system is up to NEC (and any applicable local code) requirements.
- ✓ Verify that power distribution system has proper grounding. Lack of proper earth ground can lead to fixture failure and may void warranty.

Please see product specific installation instructions for additional warnings or any applicable FCC or other regulatory statements.

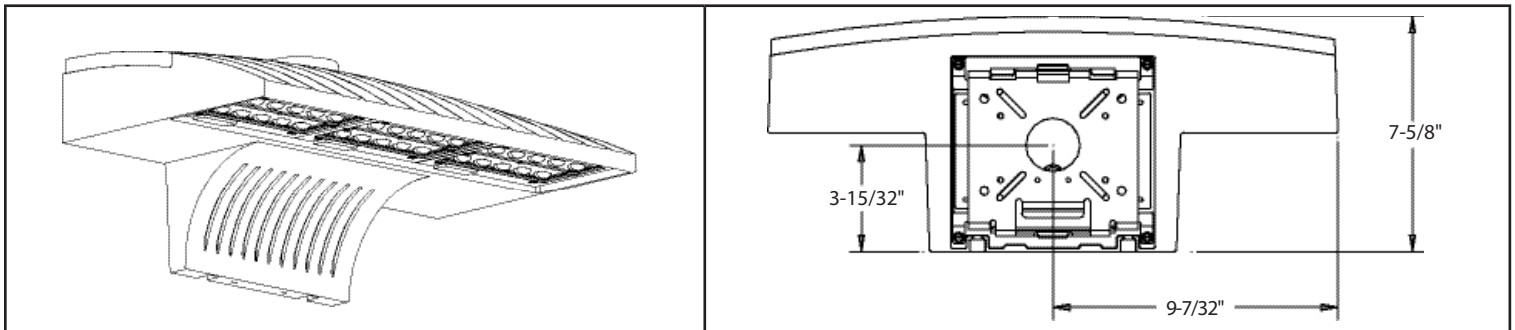
Failure to follow any of these instructions could void product warranties. For a complete listing of product Terms and Conditions, please visit www.acuitybrands.com.

Our Brands	Indoor/Outdoor Lithonia Lighting Carandini Holophane RELOC Light Concepts	Indoor Lighting Gotham Mark Architectural Lighting Peerless Renaissance Lighting Winona Lighting	Outdoor Lighting American Electric Lighting Antique Street Lamps Hydrel Tersen	Controls DARK TO LIGHT LC&D ROAM Sensor Switch Synergy	Daylighting SunOptics
-------------------	---	--	---	--	---------------------------------

Acuity Brands Lighting, Inc. assumes no responsibility for claims arising out of improper or careless installation or handling of its products.

ABL LED General Warnings, Form No. 503.203

© 2010 Acuity Brands Lighting, Inc. All rights reserved. 12/01/10



DELIVERY: Upon receipt of fixture and accessories (packed separately), thoroughly inspect for any freight damage. All damage should be reported to the delivery carrier. Compare the catalog description listed on the packing slip with the fixture label on the inside of the housing to be sure you have received the correct merchandise.

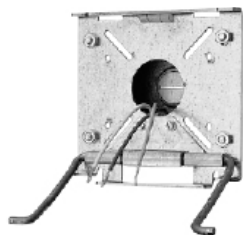
This device complies with Part 15 of the FCC Rules. Operation is subject to the following two conditions: (1) this device may not cause harmful interference, and (2) this device must accept any interference received, including interference that may cause undesired operation.

CAUTION: APPLY A CONTINUOUS BEAD OF WEATHER - PROOF CAULKING BETWEEN MOUNTING PLATE AND WALL TO ENSURE WEATHER - TIGHT INTEGRITY OF ELECTRICAL COMPONENTS.

Tools Required: #2 philips type and flathead screwdriver. 1/8" and 3/16" allen wrench.

1. These steps below are for mounting over a standard recessed junction box. Remove 1/4"-20 screws from mounting plate top and discard. Position mounting plate over j-box. The mounting plate may be attached to the j-box for alignment only, it should not be relied upon for structural support. Ensure integral support rod on mounting plate is in a downward position and bubble level is at the top. Level mounting plate prior to tightening using integral bubble level. Secure to wall using (4) 1/4" diameter fasteners (not provided). See figure 1.
2. Back out the (2) 1/4"-20 x 1/2" hex socket set screws on the bottom of the fixture until flush with the finned backplate to keep from interfering with mounting the fixture, or may be removed and discarded when mounting doorframe up.
For doorframe up only: Install 1/4"-20 x 3/4" hex socket cap screws (provided in prepackaged hardware) into the top of the mounting plate (replacing 1/4"-20 screws from step 1), turning twice is sufficient. Note--These fixtures are listed for DAMP location ONLY when installed in the lens up orientation unless the WLU option has been ordered. Installation of the fixture in any position other than what is indicated with the supplied instructions will void all warranties.
3. To attach fixture to the integral support rods, facing the wall, grip the fixture on the sides with the front towards you, insert the support rod on one side of the wall mounting plate into the corresponding slot in the fixture side mounting bracket. Lift the other side of the fixture up (so it is slanted) in order to insert the other support rod into the top of the corresponding slot in the fixture side mounting bracket. (See figure 2).
4. Slide fixture down and align so that the fixture is straight and let fixture hang off the integral support rods. (See figure 3). Protect the fixture surface from the wall surface so as not to scratch or mar the fixture finish.
5. Do not make any connections with energized supply leads. Ensure the line voltage at the fixture is correct. Make all necessary wiring connections ensuring that wires are not being pinched.
6. Make wire connections, observing proper voltage and polarity. Connect green ground wire from the fixture to the field ground wire. Place wires inside junction box.

Wall mounting plate



Integral support rods

FIGURE 1

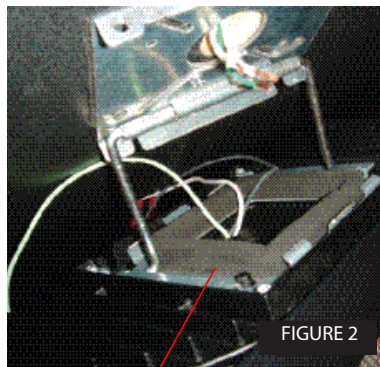


FIGURE 2

Fixture mounting bracket

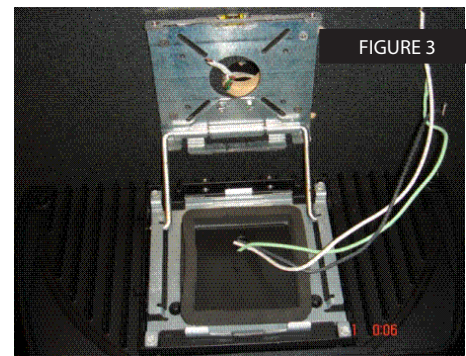


FIGURE 3

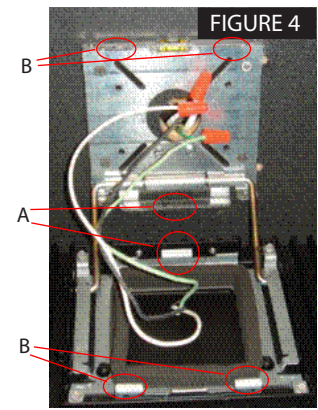
Installation Instructions

D-Series Size 2 LED Wall

7. Lift fixture and place the bottom hook of the fixture mounting bracket onto the bottom center slot of the wall mounting plate (see circles A in figure 4). Keep pressure on the bottom of the fixture against the wall, lift up slightly and insert the top hooks of the fixture mounting bracket into the top slots of the wall mounting plate (see circles B in figure 4). Make sure wires are inside the junction box and not pinched.

8. Slide the fixture into place by firmly applying pressure against the fixture onto the wall mounted plate and pushing down. Verify the fixture is securely seated and parallel to the wall.

9. Doorframe down: Tighten the (2) hex socket set screws on the bottom of the housing with an 1/8" allen wrench evenly (10-15 in. lbs maximum).
Doorframe up: Tighten the (2) hex socket cap screws (installed in step 2) into the housing with an 3/16" allen wrench evenly (10-15 in. lbs maximum).



Opening of the door is not needed to install. If the door is opened, secure door by tightening the screws between 20-25 in. lbs.

Installing the D-Series Size 2 LED Wall Wire Guard

Step 1: Locate the wire guard hole 1-9/16" away from the front of the housing as shown in Figure A. Use wire guard as a drill guide. Use a #26 drill bit (.146 to .150 dia) and drill through in 2 places taking care not to drill into the LED lights. Repeat these steps on the other side.

Step 2: Using a 1/4" hex drive, attach the wire guard to the housing as shown in Figure B. The screws will create their own threads in the holes you drilled in Step 1.

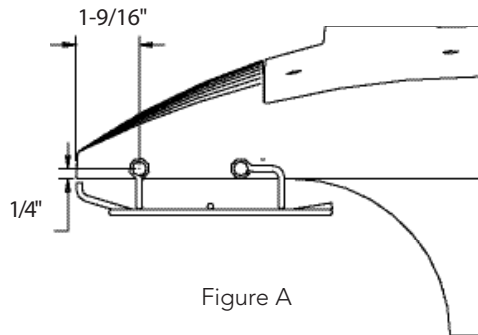


Figure A

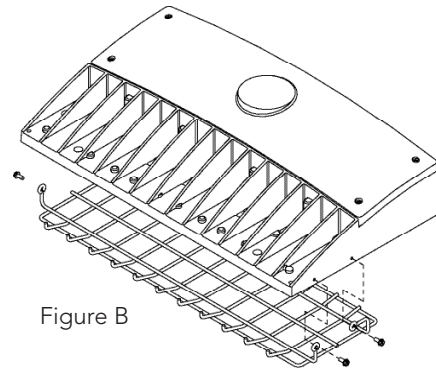


Figure B

Installing the D-Series Size 2 LED Wall Vandal Guard

Step 1: Take one of the vandal guard brackets and place it against the edge of the cast housing. Locate the bracket hole 1-3/4" away from the front of the housing as shown in Figure A. Use bracket as a drill guide. Use a #26 drill bit (.146 to .150 dia) and drill through in 2 places taking care not to drill into the LED lights. Repeat these steps on the other side.

Step 2: Using a 1/4" hex drive, attach the vandal guard brackets to the cast housing as shown in Figure B. The screws will create their own threads in the holes you drilled in Step 1.

Step 3: Take the vandal guard plastic shield and remove any protective film that it may have been shipped with. Now take the remaining screws and attach the shield to the vandal guard brackets.

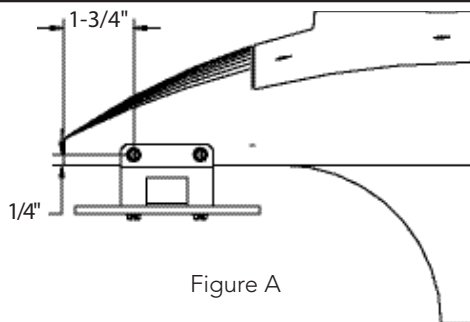


Figure A

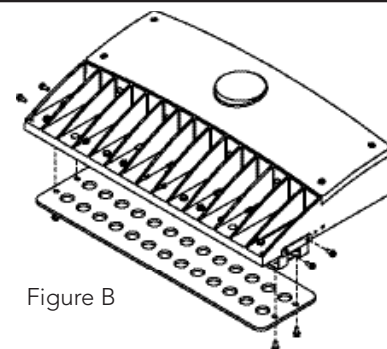


Figure B

Troubleshooting: If this fixture fails to operate properly, check to make sure: • The fixture is wired correctly. • The fixture is grounded correctly. • The line voltage at the fixture is correct. If all these variables have been checked and the fixture still does not operate as specified, contact your local Lithonia Lighting distributor.