





**READ AND FOLLOW ALL SAFETY INSTRUCTIONS!  
SAVE THESE INSTRUCTIONS AND DELIVER TO OWNER AFTER INSTALLATION**

- To reduce the risk of death, personal injury or property damage from fire, electric shock, falling parts, cuts/abrasions, and other hazards please read all warnings and instructions included with and on the fixture box and all fixture labels.
- Before installing, servicing, or performing routine maintenance upon this equipment, follow these general precautions.
- Installation and service of luminaires should be performed by a qualified licensed electrician.
- Maintenance of the luminaires should be performed by person(s) familiar with the luminaires' construction and operation and any hazards involved. Regular fixture maintenance programs are recommended.
- It will occasionally be necessary to clean the outside of the refractor/lens. Frequency of cleaning will depend on ambient dirt level and minimum light output which is acceptable to user. Refractor/lens should be washed in a solution of warm water and any mild, non-abrasive household detergent, rinsed with clean water and wiped dry. Should optical assembly become dirty on the inside, wipe refractor/lens and clean in above manner, replacing damaged gaskets as necessary.
- **DO NOT INSTALL DAMAGED PRODUCT!** This luminaire has been properly packed so that no parts should have been damaged during transit. Inspect to confirm. Any part damaged or broken during or after assembly should be replaced.
- **Recycle:** For information on how to recycle LED electronic products, please visit [www.epa.gov](http://www.epa.gov).
- These instructions do not purport to cover all details or variations in equipment nor to provide every possible contingency to meet in connection with installation, operation, or maintenance. Should further information be desired or should particular problems arise which are not covered sufficiently for the purchaser's or owner's purposes, this matter should be referred to Acuity Brands Lighting, Inc.

<div style="text-align: center; border: 1px solid black; padding: 5px; margin-bottom: 10px;">  <p><b>WARNING</b> RISK OF ELECTRIC SHOCK</p> </div> <ul style="list-style-type: none"> <li>✓ Disconnect or turn off power before installation or servicing.</li> <li>✓ Verify that supply voltage is correct by comparing it with the luminaire label information.</li> <li>✓ Make all electrical and grounded connections in accordance with the National Electrical Code (NEC) and any applicable local code requirements.</li> <li>✓ All wiring connections should be capped with UL approved recognized wire connectors.</li> </ul>	<div style="text-align: center; border: 1px solid black; padding: 5px; margin-bottom: 10px;">  <p><b>WARNING</b> RISK OF BURN</p> </div> <ul style="list-style-type: none"> <li>✓ Allow lamp/fixture to cool before handling. Do not touch enclosure or light source.</li> <li>✓ Do not exceed maximum wattage marked on luminaire label.</li> <li>✓ Follow all manufacturer's warnings, recommendations and restrictions for: driver type, burning position, mounting locations/methods, replacement and recycling.</li> </ul>
---	--

<div style="text-align: center; border: 1px solid black; padding: 5px; margin-bottom: 10px;">  <p><b>CAUTION</b> RISK OF INJURY</p> </div> <ul style="list-style-type: none"> <li>✓ Wear gloves and safety glasses at all times when removing luminaire from carton, installing, servicing or performing maintenance.</li> <li>✓ Avoid direct eye exposure to the light source while it is on.</li> </ul>	<div style="text-align: center; border: 1px solid black; padding: 5px; margin-bottom: 10px;">  <p><b>CAUTION</b> RISK OF FIRE</p> </div> <ul style="list-style-type: none"> <li>✓ Keep combustible and other materials that can burn, away from lamp/lens.</li> <li>✓ Do not operate in close proximity to persons, combustible materials or substances affected by heat or drying.</li> </ul>
--	---



**CAUTION: RISK OF PRODUCT DAMAGE**

- ✓ **Never connect components under load.**
- ✓ **Do not mount or support these fixtures in a manner that can cut the outer jacket or damage wire insulation.**
- ✓ **Controls for dimming, auto-sensing, or remote control of a luminaire that are not factory-wired to the luminaire must be checked for compatibility with the luminaire prior to installation. Never connect an LED product directly to a dimmer pack that has not been pre-approved. LED fixtures must be powered directly off a switched circuit.**
- ✓ **Unless individual product specifications deem otherwise: Do not restrict fixture ventilation. Allow for some volume of airspace around fixture. Avoid covering LED fixtures with insulation, foam, or other material that will prevent convection or conduction cooling.**
- ✓ **Unless individual product specifications deem otherwise: Do not exceed fixtures maximum ambient temperature.**
- ✓ **Only use fixture in its intended location.**
- ✓ **LED products are Polarity Sensitive. Ensure proper Polarity before installation.**
- ✓ **Electrostatic Discharge (ESD): ESD can damage LED fixtures. Personal grounding equipment must be worn during all installation or servicing of the unit.**
- ✓ **Do not touch individual electrical components as this can cause ESD, shorten lamp life, or alter performance.**
- ✓ **Some components inside the fixture may not be serviceable. In the unlikely event your unit may require service, stop using the unit immediately and contact an ABL representative for assistance.**
- ✓ **Always read the fixtures complete installation instructions prior to installation for any additional fixture specific warnings.**

Please see product specific installation instructions for additional warnings or any applicable FCC or other regulatory statements.

Failure to follow any of these instructions could void product warranties. For a complete listing of product Terms and Conditions, please visit [www.acuitybrands.com](http://www.acuitybrands.com).

Our Brands	Indoor/Outdoor	Indoor Lighting	Outdoor Lighting	Controls	Daylighting
	Lithonia Lighting	Gotham	American Electric Lighting	DARK TO LIGHT	SunOptics
	Carandini	Mark Architectural Lighting	Antique Street Lamps	LC&D	
	Holophane	Peerless	Hydrel	ROAM	
	RELOC	Renaissance Lighting	Tersen	Sensor Switch	
	Light Concepts	Winona Lighting		Synergy	

Acuity Brands Lighting, Inc. assumes no responsibility for claims arising out of improper or careless installation or handling of its products.

ABL LED General Warnings, Form No. 503.203

© 2010 Acuity Brands Lighting, Inc. All rights reserved. 12/01/10

**DELIVERY:** Upon receipt of luminaire and accessories (packed separately), thoroughly inspect for any freight damage. All damage should be reported to the delivery carrier. Compare the catalog description listed on the packing slip with the luminaire label to be sure you have received the correct merchandise.



Pendant mount shown

This device complies with Part 15 of the FCC Rules. Operation is subject to the following two conditions: (1) this device may not cause harmful interference, and (2) this device must accept any interference received, including interference that may cause undesired operation.

5 year limited warranty

**Tools Required:** Pipe wrench, 5/16" nut driver or socket, 7/16" socket, electrical wiring tools.

Over tightening will cause stripping and void all warranties.

**Note:** Do not set luminaire lens-down on an unprotected surface. Do not touch the luminaire lens (covered with peelable protective film). When equipped with motion/ambient sensor, make sure the sensor lens is protected during installation.

### **Electrical Chamber Access**

1. Opening the luminaire should be avoided if possible, but if access is required, loosen the eight screws as shown in Detail A of figure 1 using a 1/4" hex drive. Beware of falling hazard.

1a. For luminaires with E8WC emergency battery pack, open the luminaire as described in step 1. Join the emergency driver connectors together.

2. The housing is keyed to the door and only goes one way. So, before closing the luminaire, align the 3 shapes (square, circle, triangle) on the top housing to matching shapes on the inside of the luminaire (Figure 2).

Figure 1

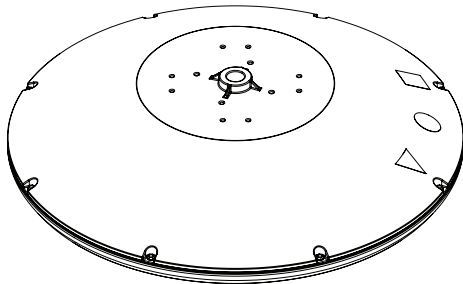


Figure 1 Detail A

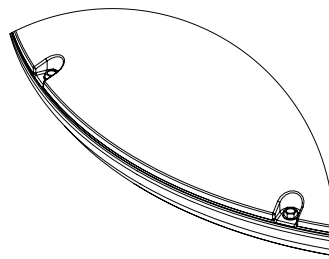
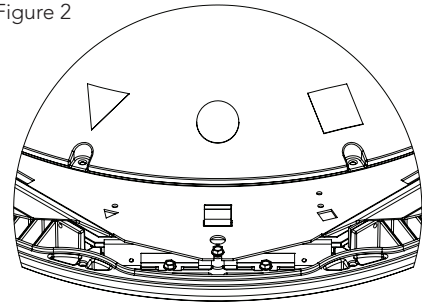


Figure 2



### **Pendent Mount Fixed Junction Box Cover Installation (Standard):**

1. Remove luminaire from packaging and review luminaire labels for warnings and electrical connection information. Make sure the voltage rating of the luminaire matches the available supply voltage.

2. Make sure that supply wire power is disconnected.

3. Luminaire is supplied with conductors exiting the threaded conduit entrance.

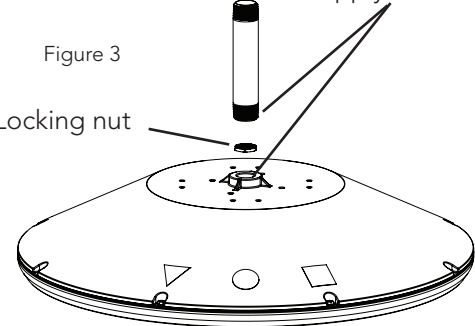
4. Feed conductors through conduit (supplied by others).

5. Thread locking nut onto end of the conduit. Apply thread sealant (supplied by others) completely around external threads of the conduit and completely around the internal threads of the housing. (Figure 3).

Apply sealant

Figure 3

Locking nut



6. Screw conduit into threaded conduit hub located on top of luminaire making sure that at least three full threads are engaged. Use caution not to twist conductors.

7. Orient the luminaire per the light throw label and arrows. (Figure 16)

8. Use locking nut and thread sealant (supplied by others) to seal the conduit entry and lock luminaire in place.

9. Connect luminaire wires to appropriate voltage supply-wires using proper sized connectors: supply-side ground wire to green luminaire lead; supply-side neutral wire to the white luminaire lead; supply-side line voltage to black luminaire lead.

10. Peel off the blue protective film from the lens.

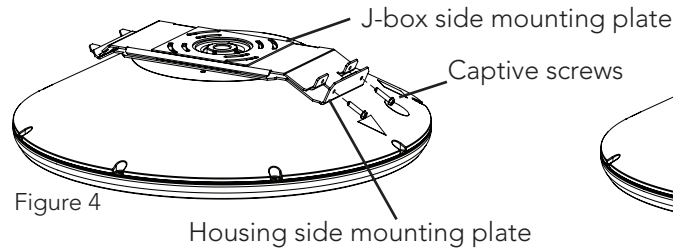
# Installation Instructions

## VCPG/VCPGX LED

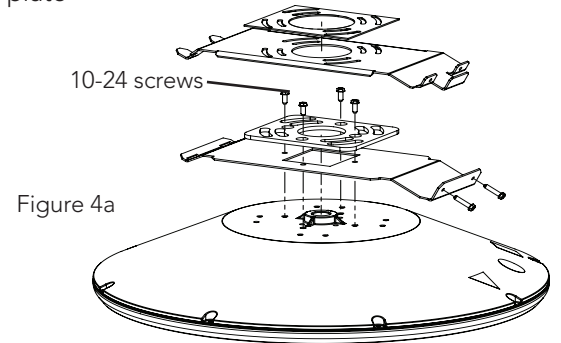
### Surface Mount Installation (SRM Option):

1. Remove luminaire from packaging and review luminaire labels for warnings and electrical connection information. Make sure the voltage rating of the luminaire matches the available supply voltage.
2. The SRM option may be shipped installed or separately when ordered as an accessory.

3. Remove the J-box side mounting plate by loosening the two captive screws. (Figure 4)

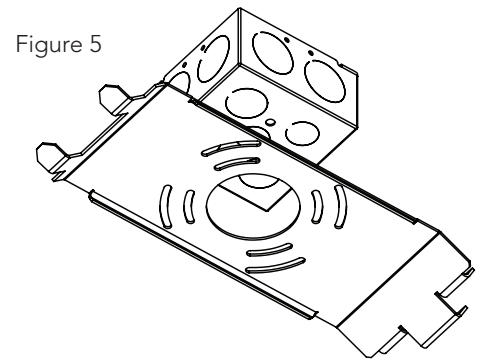


- 3a. If shipped separately, secure housing side mounting plate to luminaire with (4) four 10-24 screws to 25 to 30 in-lbs torque. (Figure 4a)

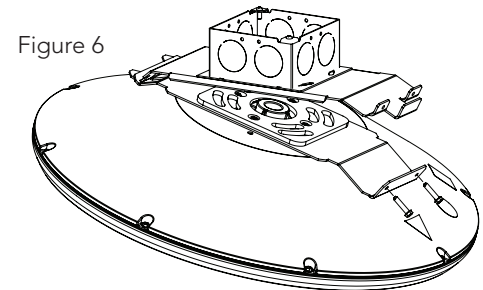


4. Use 25 in. lb. torque to properly secure the j-box side mounting plate to the j-box (figure 5) with screws (supplied by others).

Note: a wet location J-Box (not supplied) may be needed to make certain the splice compartment and luminaire remains dry.

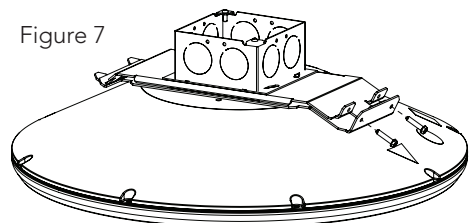


5. To hang, align the tabs from the junction box plate with the slots in the housing side mounting plate. Hang the VCPG luminaire on the junction box mounting plate. (Figure 6)



6. Connect luminaire wires to appropriate voltage supply-wires using proper sized connectors: supply-side ground wire to green luminaire lead; supply-side neutral wire to the white luminaire lead; supply-side line voltage to black luminaire lead.
7. Verify that wires are not being pinched and are tucked into junction box.

8. Lift the luminaire upwards mating the 2 plates and tighten the captive screws to 25 to 30 in-lbs torque. (Figure 7)



9. Peel off the blue protective film from the lens.

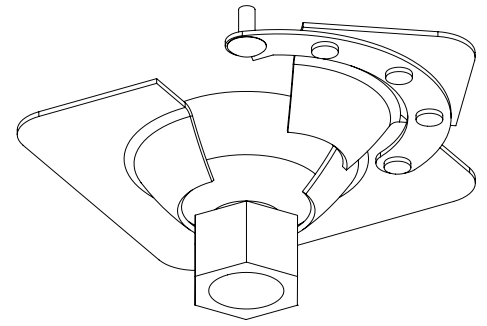
# Installation Instructions

## VCPG/VCPGX LED

### Swivel Mount Accessory (Figure 8)

1. Screw bell shaped pivot ball on to the end of your threaded luminaire stem.
2. Secure cover to mating electrical box using 8-32 screws.
3. Remove the locking screw from the hinged door on the cover.
4. Swing door open to receive the pivot ball attached to the luminaire stem.
5. Place the pivot ball into cover so that it nests in the pocket.
6. Align the slot on the pivot ball with the "T" shaped locking tab on the cover and bend through the slot on the pivot ball.
7. Make all of the electrical connections inside the box and position the hinge door back into the closed position.
8. Secure the locking screw which was removed in step 3.

Figure 8



### Yoke/Trunnion Installation

1. Remove yoke assembly, 3/4" conduit body, and hardware bag from packaging.
2. Fasten yoke/trunnion assembly to the top of the luminaire with included 10-24 screws using 5/16 socket with 25 to 30 in-lbs of torque. (Figure 9)
3. Attach the conduit body to the top of the luminaire and apply thread sealant (by others) completely around external threads of the conduit and completely around the internal threads of the housing and 3/4" nipple to seal and secure conduit body. (Figure 10)
4. Attach flexible conduit or the equivalent (not included) to the conduit body verifying that it is properly sealed.
5. Adjust yoke to the desired length by removing the 4 bolts on the sides of the yoke. Yoke adjusts from 10 to 18 inches. After adjusting to the desired height, tighten the 4 bolts and nuts using a 7/16 inch socket, with 25 to 30 in-lbs of torque.
6. Attach yoke to ceiling with appropriate fasteners (not included). (Figure 11)

Figure 9

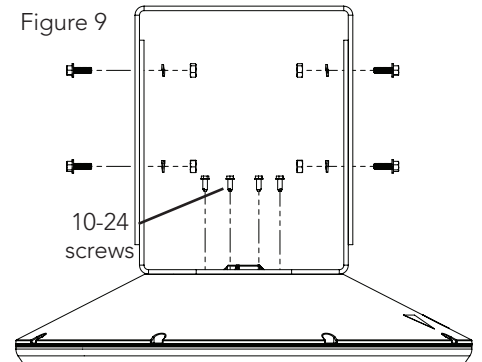
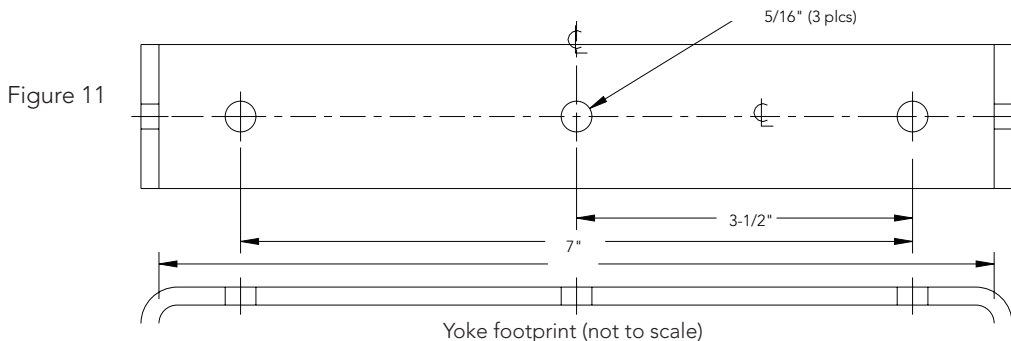
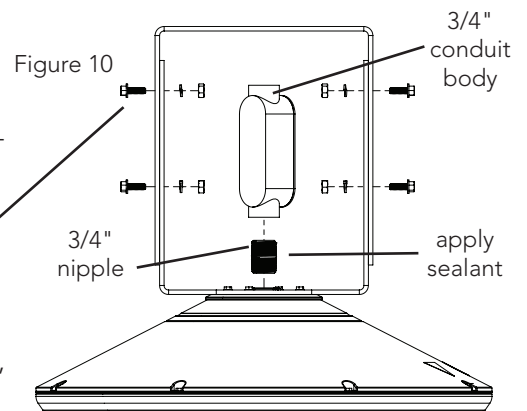


Figure 10



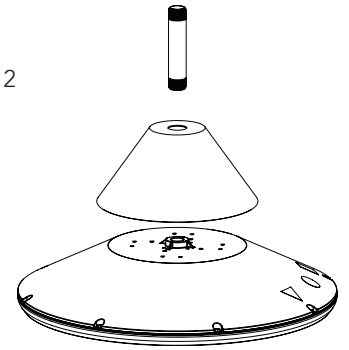
# Installation Instructions

## VCPG/VCPGX LED

### Bird Shroud:

1. Remove bird shroud from packaging.
2. Slide the bird shroud onto the conduit as shown in figure 12.
3. Continue with installation of luminaire from the second step of pendent mount option.

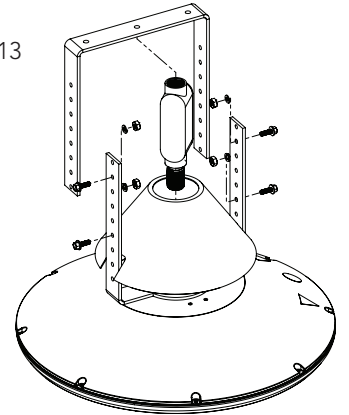
Figure 12



### Bird Shroud with Yoke:

1. Remove bird shroud from packaging.
2. Install yoke per the yoke/trunnion mount per instructions but do not mount luminaire to ceiling yet.
3. Remove the yoke that should be attached to ceiling by removing the 4 bolts from the side.
4. Place bird shroud as shown in figure 13.
5. Reinstall yoke.

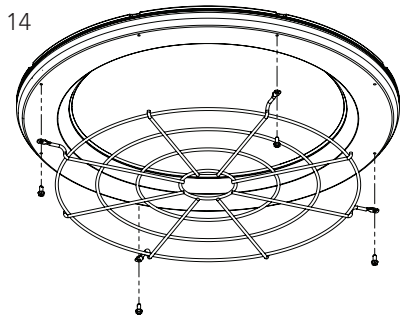
Figure 13



### Wire Guard (Figure 14):

1. Place wire guard onto the door aligning the hole tabs on the wire guard with the drill points located on the door to identify where drilling is needed.
2. Drill holes at the drill points located on the doors. Use a 9/64" drill bit and drill 3/8" deep.
3. Secure the wire guard to the door with supplied hardware.

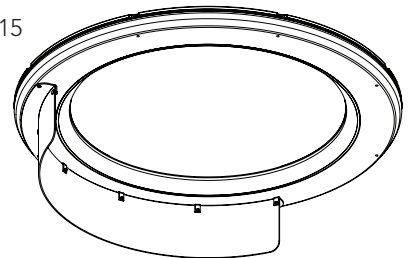
Figure 14



### House Side Shield (Figure 15):

1. Place house side shield onto the door aligning the hole tabs on the shield with the drill points located on the door to identify where drilling is needed.
2. Drill holes at the drill points located on the doors. Use a 9/64" drill bit and drill 3/8" deep.
3. Secure the shield to the door with supplied hardware.

Figure 15

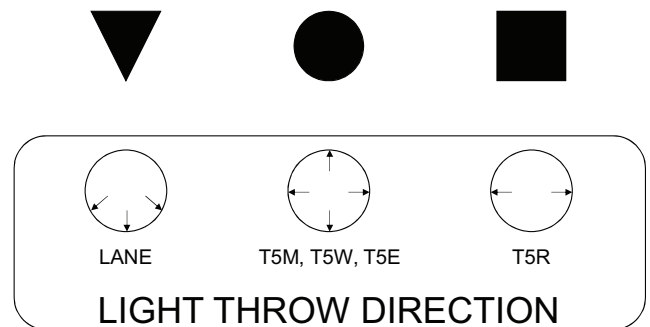


### Luminaire Orientation (Figure 16):

Figure 16

1. Based on the optical distribution indicated on the label, the luminaire needs to be aligned in a specific direction when installed. The "LIGHT THROW DIRECTION" label or the molded shapes (triangle, circle and square) on the housing can be used as reference.

2. During installation, align/point the appropriate shape to the driving lane to get the desired distribution.



**Troubleshooting:** If this luminaire fails to operate properly, check to make sure: • The luminaire is wired correctly. • The luminaire is grounded correctly. • The line voltage at the luminaire is correct. If all these variables have been checked and the luminaire still does not operate as specified, contact your local Lithonia Lighting distributor.