





**READ AND FOLLOW ALL SAFETY INSTRUCTIONS!  
SAVE THESE INSTRUCTIONS AND DELIVER TO OWNER AFTER INSTALLATION**

- To reduce the risk of death, personal injury or property damage from fire, electric shock, falling parts, cuts/abrasions, and other hazards please read all warnings and instructions included with and on the fixture box and all fixture labels.
- Before installing, servicing, or performing routine maintenance upon this equipment, follow these general precautions.
- Installation and service of luminaires should be performed by a qualified licensed electrician.
- Maintenance of the luminaires should be performed by person(s) familiar with the luminaires' construction and operation and any hazards involved. Regular fixture maintenance programs are recommended.
- It will occasionally be necessary to clean the outside of the refractor/lens. Frequency of cleaning will depend on ambient dirt level and minimum light output which is acceptable to user. Refractor/lens should be washed in a solution of warm water and any mild, non-abrasive household detergent, rinsed with clean water and wiped dry. Should optical assembly become dirty on the inside, wipe refractor/lens and clean in above manner, replacing damaged gaskets as necessary.
- **DO NOT INSTALL DAMAGED PRODUCT!** This luminaire has been properly packed so that no parts should have been damaged during transit. Inspect to confirm. Any part damaged or broken during or after assembly should be replaced.
- **Recycle:** For information on how to recycle LED electronic products, please visit [www.epa.gov](http://www.epa.gov).
- These instructions do not purport to cover all details or variations in equipment nor to provide every possible contingency to meet in connection with installation, operation, or maintenance. Should further information be desired or should particular problems arise which are not covered sufficiently for the purchaser's or owner's purposes, this matter should be referred to Acuity Brands Lighting, Inc.

<div style="display: flex; align-items: center; margin-bottom: 10px;">  <div style="border: 1px solid black; padding: 5px; text-align: center; flex-grow: 1;"> <p><b>WARNING</b> RISK OF ELECTRIC SHOCK</p> </div> </div> <ul style="list-style-type: none"> <li>✓ Disconnect or turn off power before installation or servicing.</li> <li>✓ Verify that supply voltage is correct by comparing it with the luminaire label information.</li> <li>✓ Make all electrical and grounded connections in accordance with the National Electrical Code (NEC) and any applicable local code requirements.</li> <li>✓ All wiring connections should be capped with UL approved recognized wire connectors.</li> </ul>	<div style="display: flex; align-items: center; margin-bottom: 10px;">  <div style="border: 1px solid black; padding: 5px; text-align: center; flex-grow: 1;"> <p><b>WARNING</b> RISK OF BURN</p> </div> </div> <ul style="list-style-type: none"> <li>✓ Allow lamp/fixture to cool before handling. Do not touch enclosure or light source.</li> <li>✓ Do not exceed maximum wattage marked on luminaire label.</li> <li>✓ Follow all manufacturer's warnings, recommendations and restrictions for: driver type, burning position, mounting locations/methods, replacement and recycling.</li> </ul>
--	---

<div style="display: flex; align-items: center; margin-bottom: 10px;">  <div style="border: 1px solid black; padding: 5px; text-align: center; flex-grow: 1;"> <p><b>CAUTION</b> RISK OF INJURY</p> </div> </div> <ul style="list-style-type: none"> <li>✓ Wear gloves and safety glasses at all times when removing luminaire from carton, installing, servicing or performing maintenance.</li> <li>✓ Avoid direct eye exposure to the light source while it is on.</li> </ul>	<div style="display: flex; align-items: center; margin-bottom: 10px;">  <div style="border: 1px solid black; padding: 5px; text-align: center; flex-grow: 1;"> <p><b>CAUTION</b> RISK OF FIRE</p> </div> </div> <ul style="list-style-type: none"> <li>✓ Keep combustible and other materials that can burn, away from lamp/lens.</li> <li>✓ Do not operate in close proximity to persons, combustible materials or substances affected by heat or drying.</li> </ul>
---	--

LED IMPORTANT SAFETY INSTRUCTIONS



CAUTION: RISK OF PRODUCT DAMAGE

- ✓ Never connect components under load.
- ✓ Do not mount or support these fixtures in a manner that can cut the outer jacket or damage wire insulation.
- ✓ Unless individual product specifications deem otherwise: Never connect an LED product directly to a dimmer packs, occupancy sensors, timing devices, or other related control devices. LED fixtures must be powered directly off a switched circuit.
- ✓ Unless individual product specifications deem otherwise: Do not restrict fixture ventilation. Allow for some volume of airspace around fixture. Avoid covering LED fixtures with insulation, foam, or other material that will prevent convection or conduction cooling.
- ✓ Unless individual product specifications deem otherwise: Do not exceed fixtures maximum ambient temperature.
- ✓ Only use fixture in its intended location.
- ✓ LED products are Polarity Sensitive. Ensure proper Polarity before installation.
- ✓ Electrostatic Discharge (ESD): ESD can damage LED fixtures. Personal grounding equipment must be worn during all installation or servicing of the unit.
- ✓ Do not touch individual electrical components as this can cause ESD, shorten lamp life, or alter performance.
- ✓ Some components inside the fixture may not be serviceable. In the unlikely event your unit may require service, stop using the unit immediately and contact an ABL representative for assistance.
- ✓ Always read the fixtures complete installation instructions prior to installation for any additional fixture specific warnings.

Please see product specific installation instructions for additional warnings or any applicable FCC or other regulatory statements.

Failure to follow any of these instructions could void product warranties. For a complete listing of product Terms and Conditions, please visit [www.acuitybrands.com](http://www.acuitybrands.com).

<b>Our Brands</b>	<b>Indoor/Outdoor</b> Lithonia Lighting Carandini Holophane RELOC Light Concepts	<b>Indoor Lighting</b> Gotham Mark Architectural Lighting Peerless Renaissance Lighting Winona Lighting	<b>Outdoor Lighting</b> American Electric Lighting Antique Street Lamps Hydrel Tersen	<b>Controls</b> DARK TO LIGHT LC&D ROAM Sensor Switch Synergy	<b>Daylighting</b> SunOptics
-------------------	---	--	---	--	---------------------------------

Acuity Brands Lighting, Inc. assumes no responsibility for claims arising out of improper or careless installation or handling of its products.

ABL LED General Warnings, Form No. 503.203

© 2010 Acuity Brands Lighting, Inc. All rights reserved. 12/01/10

Installation Instructions  
D-Series Parking Garage LED



Pendant mount shown

**DELIVERY:** Upon receipt of fixture and accessories (packed separately), thoroughly inspect for any freight damage. All damage should be reported to the delivery carrier. Compare the catalog description listed on the packing slip with the fixture label on the inside of the housing to be sure you have received the correct merchandise.

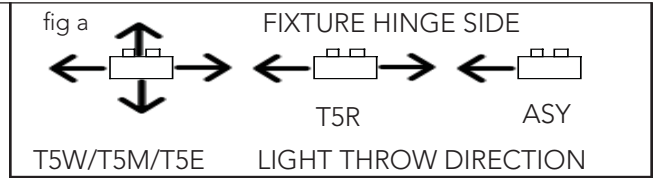
This device complies with Part 15 of the FCC Rules. Operation is subject to the following two conditions: (1) this device may not cause harmful interference, and (2) this device must accept any interference received, including interference that may cause undesired operation.

**Tools Required:** Pipe wrench, 5/16" nut driver or socket, 7/16" socket, electrical wiring tools  
Over tightening will cause stripping and void all warranties.

5 year limited warranty

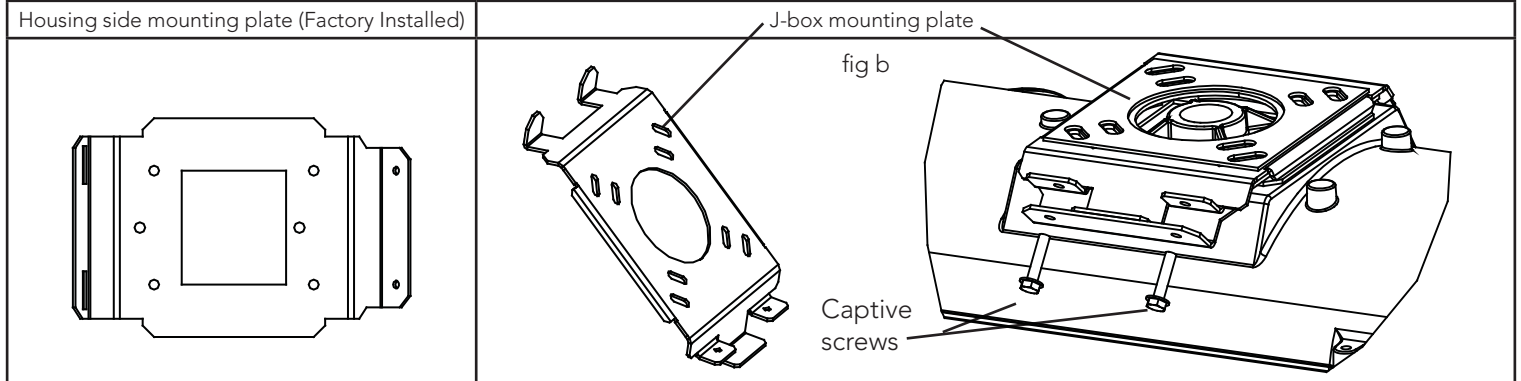
**PENDANT MOUNT FIXED JUNCTION BOX COVER INSTALLATION (Standard):**

1. Remove fixture from packaging and review fixture labels for warnings and electrical connection information.
2. Make sure that supply wire power is disconnected.
3. Fixture is supplied with conductors exiting the threaded conduit entrance.
4. Feed conductors through conduit supplied by others to splice compartment.
5. Screw conduit into threaded conduit hub located on top of fixture making sure that at least three full threads are engaged. Use caution not to twist conductors.
6. Orient the fixture according to the label (fig a).
7. Use locking nut and thread sealant (not supplied) to seal the conduit entry and lock fixture in place.
8. Connect fixture wires to appropriate voltage supply wires using proper sized connectors. Supply side ground wire to green fixture lead--supply side neutral wire to white fixture lead--supply side line voltage to black fixture lead.

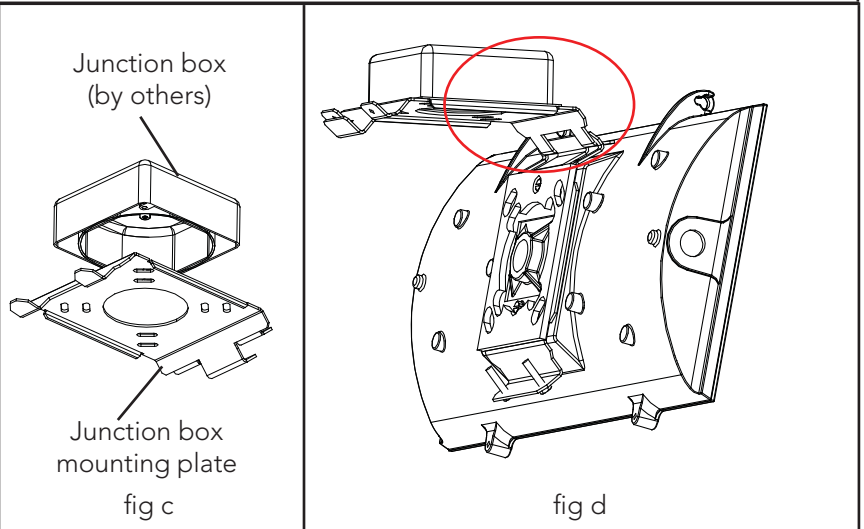


**SURFACE MOUNTING INSTALLATION (SRM Option):**

1. Remove fixture from packaging, review fixture labels for warnings and electrical connection information.
2. Back out captive screws on the top of the fixture. Remove the j-box mounting plate (fig b).
3. Orient the j-box plate according to the label (fig a).



4. Use 25 in. Lb. Torque to properly secure the junction box plate to the j-box (fig c) with (2) two 10-24 screws (by others).
5. Align the tabs from the junction box plate with the slots in the mounting plate on the housing.
6. Hang the DSXPG fixture on the junction box mounting plate (fig d).
7. Connect fixture wires to appropriate voltage supply wires using proper sized connectors. (Supply side ground wire to green fixture lead--supply side neutral wire to white fixture lead--supply side line voltage to black fixture lead.)
8. Ensure that wires are not being pinched and tuck into junction box.
9. Lift the fixture upwards mating the 2 plates and retighten the captive screws from step 2.



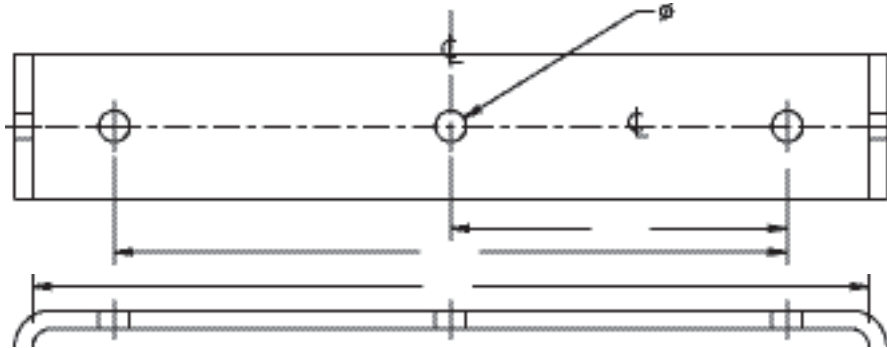
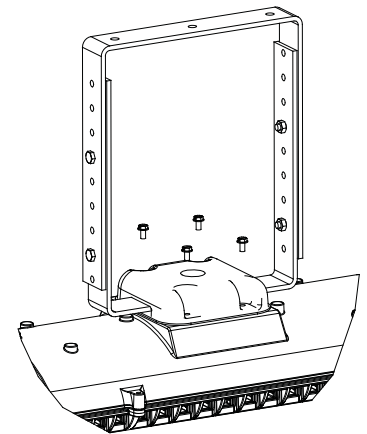
# Installation Instructions

## DSXPG LED

Yoke/trunnion mount installation: (DSXPGYK)--Option ships separately.

1. Remove yoke and hardware bag from packaging.
2. Mount yoke/trunnion assembly (includes cast junction box with intergral 3/4" NPT hub to attach flexible conduit) to top of fixture with provided (4) screws using a 5/16 socket (fig e).
3. Yoke adjusts from 10 to 18 inches using a 7/16 inch socket.
4. Attach yoke to ceiling with fasteners by others.

fig e



Yoke footprint (not to scale)

### BIRD DETERRENT SHIELDS (BDS option)--option ships seperately

Note: If motion sensor option is installed, you must remove knock out on the bird shield.

#### BDS w/Pendant Mount (standard)

1. Prior to installing DSXPG fixture slide BDS up onto conduit.
2. Install fixture per supplied instructions.

#### BDS w/Surface Mount (SRM option)

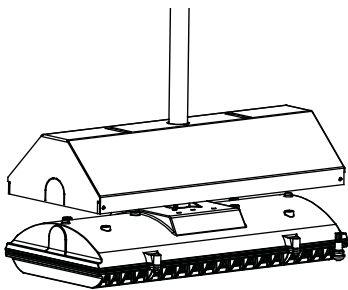
For use with surface mounted j-box.  
Not for use with recessed j-box.

1. Install fixture per supplied instructions.
2. Take BDS and wrap it around fixture, use caution not to over-bend BDS wrap. Make sure to align the slots on the wrap with the hinges on the DSXPG housing.
3. Install the 10-24 screws provided.

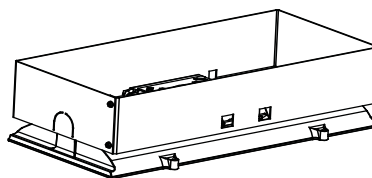
#### BDS w/Yoke Mount (YK option)

1. Install the yoke per supplied instructions.
2. Remove upper half of yoke.
3. If desired remove knock out detail for conduit.
4. Slide bird shroud over yoke mount bottom half making sure to align slots to match the hinge locations on DSXPG fixture.
5. Install upper half of yoke, set to desired mounting height, retighten.

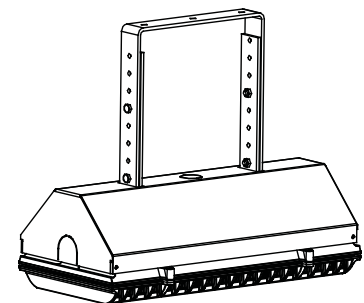
DSXPGBDS (finish) U  
Pendant Mount



DSXPGBDS SRM (finish) U  
Surface Mount



DSXPGBDS YK (finish) U  
Yoke Mount



### HOUSE SIDE SHIELDS (DSXPGHS accessory)

--ships seperately



DSXPGHS U  
(1 per light engine)

1. Remove and discard the screws around each light engine.
2. Line up mounting holes on house side shield with the holes around the light engine as shown in photo to the left.
3. Fasten shields with the longer screws included in the DSXPGHS accessory kit.

**Troubleshooting:** If this fixture fails to operate properly, check to make sure: • The fixture is wired correctly. • The fixture is grounded correctly. • The line voltage at the fixture is correct. If all these variables have been checked and the fixture still does not operate as specified, contact your local Lithonia Lighting distributor.