

**OVERVIEW**

The Push-Button SwitchPod (sPODM) Series of low voltage wall stations interface with standard Sensor Switch occupancy sensors and power packs in order to implement a wide range of single and bi-level switching applications. These switch devices provide an elegant and cost effective way of deploying bi-level lighting control that meet energy and building codes without having to source special sensors or power packs.

**FEATURES**

- Enables Standard Occupancy Sensors to be used for Manual On Operation
- Alternative Usage as Override Switch for Auto-On Applications
- Single Gang Decorator Style w/ either 1 or 2 On/Off Switches
- Soft-Click Push-Buttons
- Programmable w/o Removing Switch Plate
- Optional Dual Manual On Operation
- Optional Multi-way Operation
- Optional 0-10 VDC Dimming Control
- Auto return to last set level - on dimmable devices, returns to last set dim level before switched off

**Warranty**

Five-year limited warranty. This is the only warranty provided and no other statements in this specification sheet create any warranty of any kind. All other express and implied warranties are disclaimed. Complete warranty terms located at: [www.acuitybrands.com/support/warranty/terms-and-conditions](http://www.acuitybrands.com/support/warranty/terms-and-conditions)

**Note:** Actual performance may differ as a result of end-user environment and application. Specifications subject to change without notice



*sPODM*  
*Switchpod*



**ORDERING INFORMATION**

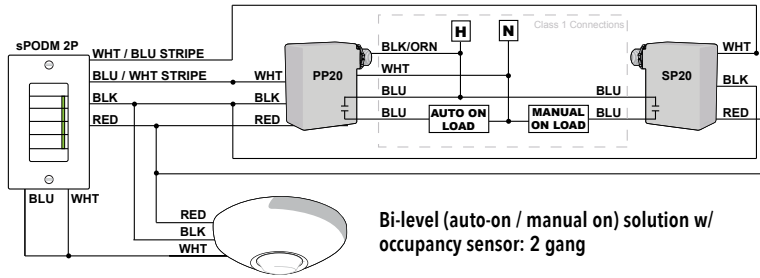
| sPODM           |                                     | Example: sPODM 347   |   |  |                                 |  |  |  |  |
|-----------------|-------------------------------------|--|---|--|---------------------------------|--|--|--|--|
| Series          | Dimming*                            | # of Switches/Default on Oper.   | Multi-Way*                                | Color  | Temperature / Humidity          |  |  |  |  |
| sPODM Switchpod | [blank] None<br>D Dimming Operation | [blank] 1 Switch / Auto On<br>SA 1 Switch/ Manual On<br>2P 2 Switches (Pole 1 Manual / Pole 2 Auto)<br>2P 2SA 2 Switches (Both Poles Manual) | [blank] None<br>3X Multi-Way (e.g. 3-way) | WH White<br>IV Ivory<br>GY Gray<br>AL Light Almond<br>BK Black | [blank] Standard<br>LT Low Temp |  |  |  |  |

\*Not available with 2 switch (2P) versions

## TYPICAL CONFIGURATIONS

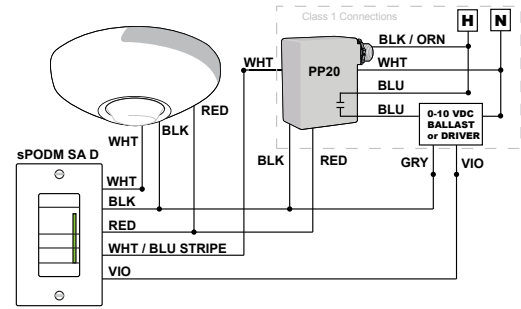
(NOTE: 18 AWG wire is recommended for all wiring)

### BI-LEVEL (MANUAL ON / AUTO ON) SOLUTION w/ OCCUPANCY SENSOR: 1 GANG



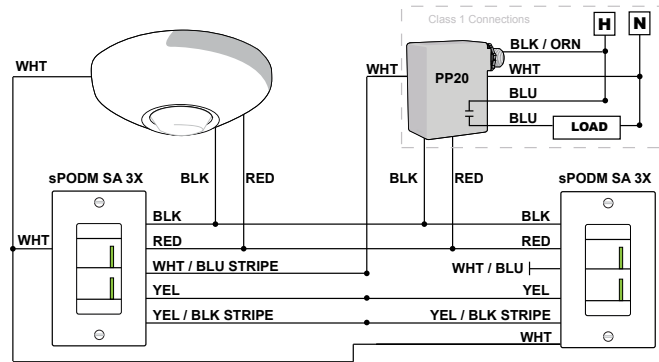
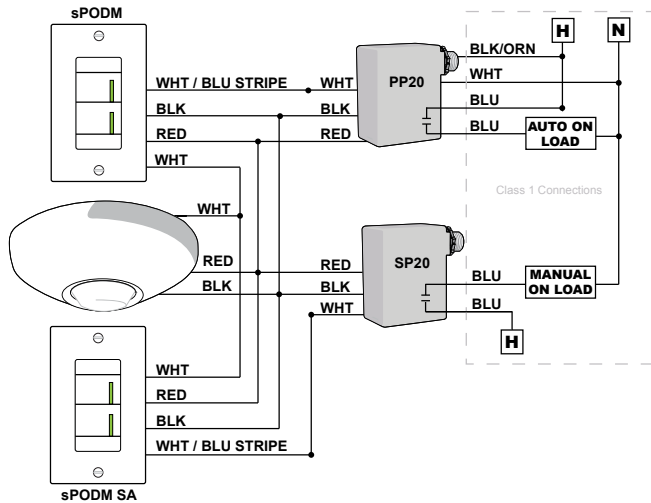
Bi-level (auto-on / manual on) solution w/ occupancy sensor: 2 gang

### MANUAL ON w/ DIMMING & OCCUPANCY SENSOR



**Note:** If sensor also has dimming output (e.g., CM 9 ADC), connect sensor VIO wire to SPODM and ballast/driver VIO wire. Lowest output level always takes precedence. If no sensor is used, connect the SPODM white wire to the red wires.

### 3-WAY MANUAL ON SOLUTION w/ OCCUPANCY SENSOR



**Note 1:** SPODM (SA) 3X D units should only be used in multi-way applications with SPODM (SA) 3X units (non-dimming) as dimming levels are not communicated between devices.

**Note 2:** For multi-way configurations greater than two units, connect additional unit(s) in same manner as bottom right SPODM SA 3X unit in diagram above.

**Note 3:** If no sensor is used, connect the SPODM white wire to the red wires.

## PROGRAMMING INSTRUCTIONS *(Please read all 7 steps before programming)*

1. Enter programming mode by pressing & holding upper most button until LED flashes rapidly. Release button.
2. Enter the *On Mode* function by pressing button twice.
3. The current *On Mode* setting will then be fed out in a sequence of LED flashes as indicated in the table below (e.g., one flash for Auto-On). To change the setting, proceed to step 4 before sequence repeats 10 times.
4. At any time while the switch is flashing back the current *On Mode* setting, interrupt it by pressing button the number of times for the new desired *On Mode* setting as indicated in the table below (e.g., press twice for Manual On). Switch will begin to flash back new setting as confirmation.
5. Next, while the switch is flashing back new setting, interrupt it by pressing and holding button until LED flashes rapidly. Release button.
6. As final confirmation and activation of the new setting, press button two times.
7. LED will flash twice indicating acceptance of new setting. If two flashes are not seen, repeat 7 step process.

Note: To exit programming mode without saving, wait for blink back sequence to repeat 10 times then return to step 1.

| Function Number | Function Name | Settings (see ordering block for defaults) |           |                          |
|-----------------|---------------|--|-----------|--------------------------|
|                 |               | Setting Number                             | Pole 1    | Pole 2 (2P devices only) |
| 2               | On Mode       | 1  | Auto-On   | Manual On                |
|                 |               | 2  | Manual On | Auto-On                  |
|                 |               | 3 (2P devices only)                        | Manual On | Manual On                |
|                 |               | 4 (2P devices only)                        | Auto-On   | Auto-On                  |

## SPECIFICATIONS

---

### Electrical

**Input Ratings** 12-24VAC/VDC, 5mA

**Output Ratings** Sinks <20mA

---

### Mechanical

**Dimensions** 2.74"H x 1.68"W x 1.63"D (70mm x 43mm x 41mm) - does not include ground strap

**Mounting** Single-Gang Box or Low Voltage Ring

**Connection Type** Low Voltage Leads

---

### Environmental

**Warrantied Operating Temperature** -22°F to 185°F (-30°C to 85°C)

**Relative Humidity** Up to 90%, Non-Condensing

**Standards/ Ratings** RoHS

---

### General

**Standards/ Ratings** CEC Title 20