

**READ AND FOLLOW ALL SAFETY INSTRUCTIONS!
SAVE THESE INSTRUCTIONS AND DELIVER TO OWNER AFTER INSTALLATION**

- To reduce the risk of death, personal injury or property damage from fire, electric shock, falling parts, cuts/abrasions, and other hazards please read all warnings and instructions included with and on the fixture box and all fixture labels.
- Before installing, servicing, or performing routine maintenance upon this equipment, follow these general precautions.
- Installation and service of luminaires should be performed by a qualified licensed electrician.
- Maintenance of the luminaires should be performed by person(s) familiar with the luminaires' construction and operation and any hazards involved. Regular fixture maintenance programs are recommended.
- It will occasionally be necessary to clean the outside of the refractor/lens. Frequency of cleaning will depend on ambient dirt level and minimum light output which is acceptable to user. Refractor/lens should be washed in a solution of warm water and any mild, non-abrasive household detergent, rinsed with clean water and wiped dry. Should optical assembly become dirty on the inside, wipe refractor/lens and clean in above manner, replacing damaged gaskets as necessary.
- **DO NOT INSTALL DAMAGED PRODUCT!** This luminaire has been properly packed so that no parts should have been damaged during transit. Inspect to confirm. Any part damaged or broken during or after assembly should be replaced.
- **Recycle:** For information on how to recycle LED electronic products, please visit www.epa.gov.
- These instructions do not purport to cover all details or variations in equipment nor to provide every possible contingency to meet in connection with installation, operation, or maintenance. Should further information be desired or should particular problems arise which are not covered sufficiently for the purchaser's or owner's purposes, this matter should be referred to Acuity Brands Lighting, Inc.

<div style="display: flex; align-items: center; margin-bottom: 10px;"> <div style="border: 1px solid black; padding: 5px; text-align: center; flex-grow: 1;"> <p>WARNING RISK OF ELECTRIC SHOCK</p> </div> </div> <ul style="list-style-type: none"> ✓ Disconnect or turn off power before installation or servicing. ✓ Verify that supply voltage is correct by comparing it with the luminaire label information. ✓ Make all electrical and grounded connections in accordance with the National Electrical Code (NEC) and any applicable local code requirements. ✓ All wiring connections should be capped with UL approved recognized wire connectors. 	<div style="display: flex; align-items: center; margin-bottom: 10px;"> <div style="border: 1px solid black; padding: 5px; text-align: center; flex-grow: 1;"> <p>WARNING RISK OF BURN</p> </div> </div> <ul style="list-style-type: none"> ✓ Allow lamp/fixture to cool before handling. Do not touch enclosure or light source. ✓ Do not exceed maximum wattage marked on luminaire label. ✓ Follow all manufacturer's warnings, recommendations and restrictions for: driver type, burning position, mounting locations/methods, replacement and recycling.
--	---

<div style="display: flex; align-items: center; margin-bottom: 10px;"> <div style="border: 1px solid black; padding: 5px; text-align: center; flex-grow: 1;"> <p>CAUTION RISK OF INJURY</p> </div> </div> <ul style="list-style-type: none"> ✓ Wear gloves and safety glasses at all times when removing luminaire from carton, installing, servicing or performing maintenance. ✓ Avoid direct eye exposure to the light source while it is on. 	<div style="display: flex; align-items: center; margin-bottom: 10px;"> <div style="border: 1px solid black; padding: 5px; text-align: center; flex-grow: 1;"> <p>CAUTION RISK OF FIRE</p> </div> </div> <ul style="list-style-type: none"> ✓ Keep combustible and other materials that can burn, away from lamp/lens. ✓ Do not operate in close proximity to persons, combustible materials or substances affected by heat or drying.
---	--

LED IMPORTANT SAFETY INSTRUCTIONS



CAUTION: RISK OF PRODUCT DAMAGE

- ✓ Never connect components under load.
- ✓ Do not mount or support these fixtures in a manner that can cut the outer jacket or damage wire insulation.
- ✓ Controls for dimming, auto-sensing, or remote control of a luminaire that are not factory-wired to the luminaire must be checked for compatibility with the luminaire prior to installation. LED fixtures must be powered directly off a switched circuit.
- ✓ Unless individual product specifications deem otherwise: Do not restrict fixture ventilation. Allow for some volume of airspace around fixture. Avoid covering LED fixtures with insulation, foam, or other material that will prevent convection or conduction cooling.
- ✓ Unless individual product specifications deem otherwise: Do not exceed fixtures maximum ambient temperature.
- ✓ Only use fixture in its intended location.
- ✓ LED products are Polarity Sensitive. Ensure proper Polarity before installation.
- ✓ Electrostatic Discharge (ESD): ESD can damage LED fixtures. Personal grounding equipment must be worn during all installation or servicing of the unit.
- ✓ Do not touch individual electrical components as this can cause ESD, shorten lamp life, or alter performance.
- ✓ Some components inside the fixture may not be serviceable. In the unlikely event your unit may require service, stop using the unit immediately and contact an ABL representative for assistance.
- ✓ Always read the fixtures complete installation instructions prior to installation for any additional fixture specific warnings.

Please see product specific installation instructions for additional warnings or any applicable FCC or other regulatory statements.

Failure to follow any of these instructions could void product warranties. For a complete listing of product Terms and Conditions, please visit www.acuitybrands.com.

Our Brands	Indoor/Outdoor Lithonia Lighting Carandini Holophane RELOC Light Concepts	Indoor Lighting Gotham Mark Architectural Lighting Peerless Renaissance Lighting Winona Lighting	Outdoor Lighting American Electric Lighting Antique Street Lamps Hydrel Tersen	Controls DARK TO LIGHT LC&D ROAM Sensor Switch Synergy	Daylighting SunOptics
-------------------	---	--	---	--	---------------------------------

Acuity Brands Lighting, Inc. assumes no responsibility for claims arising out of improper or careless installation or handling of its products.

ABL LED General Warnings, Form No. 503.203

© 2010 Acuity Brands Lighting, Inc. All rights reserved. 12/01/10

Installation Instructions

WDGE LED

5 year limited warranty



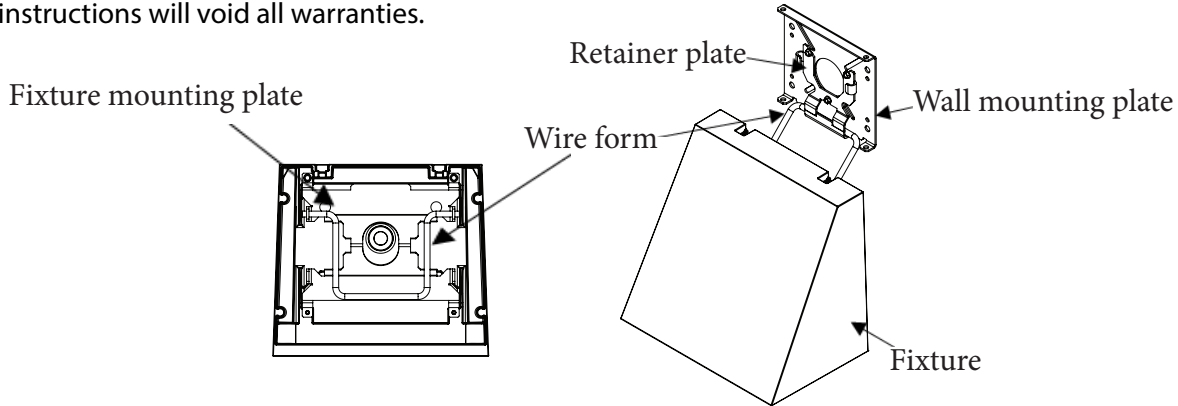
DELIVERY: Upon receipt of fixture and accessories (packed separately), thoroughly inspect for any freight damage. All damage should be reported to the delivery carrier. Compare the catalog description listed on the packing slip with the fixture label on the inside of the housing to be sure you have received the correct merchandise.

This device complies with Part 15 of the FCC Rules. Operation is subject to the following two conditions: (1) this device may not cause harmful interference, and (2) this device must accept any interference received, including interference that may cause undesired operation.

CAUTION: APPLY A CONTINUOUS BEAD OF WEATHER - PROOF CAULKING BETWEEN MOUNTING PLATE AND WALL TO ENSURE WEATHER - TIGHT INTEGRITY OF ELECTRICAL COMPONENTS.

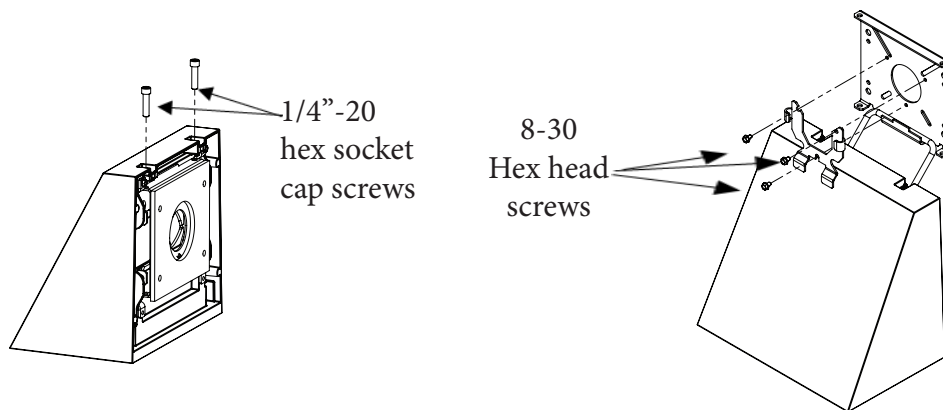
Tools Required: 3/16" allen wrench or hex key, 1/4" hex nut driver, level. 5/16" wrench for step 8.

Note: Designed for face down installation only. Installation of the fixture in any position other than what is indicated with the supplied instructions will void all warranties.



1. Use the 3/16" allen wrench or hex key to detach the wall mounting plate from the fixture by removing the 1/4"-20 x 1 hex socket cap screws (x 2).

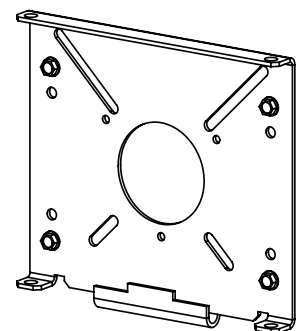
Use the 1/4" hex nut driver to remove the 8-32 x 0.25 hex head screws (x 3) and remove the retainer plate. Separate the wall mounting plate from the fixture, by un-hooking the wire form from the wall mounting plate.



2. Position the wall mounting plate over the j-box. Attach the plate to the j-box using screws that came with the j-box. (see the chart on the next page for fixture weights)

Level the mounting plate prior to tightening.

Secure the wall mounting plate to the wall, using (4) 1/4" diameter fasteners (not provided).



Installation Instructions

WDGE LED

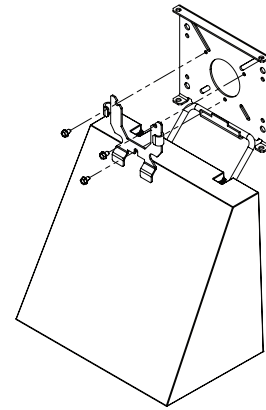
Note: Unless the j-box is rated to structurally support the weight of the fixture, the mounting plate may be attached to the j-box for alignment only. It should not be relied upon for structural support.

	No Options	With E4WH	With E10WH	With E15WH	With E20WH
WDGE1	9lb	11lb	-	-	-
WDGE2	13.5lb	15lb	15lb	-	20lb
WDGE3	19.5lb	-	-	21lb	26lb
WDGE4	30.5lb	-	-	-	-

3. Hang the fixture, to the wall mounting plate, by the wire form.

Note: Protect the fixture surface from the wall it is being installed on, to prevent scratching/marring the fixture finish.

Secure the wire form by attaching the retainer plate to the wall mounting plate, using the 8-32 x 0.25 hex head screws (x3), from step 1, and 1/4" hex nut driver.



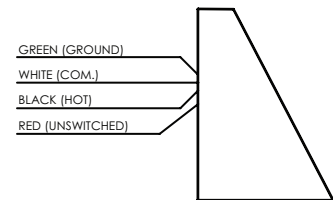
4. Ensure the line voltage at the fixture is correct.

Make all necessary wiring connections.

When equipped with internal battery pack, it is important that the power to the Red wire is supplied from an un-switched circuit, to ensure proper operation of emergency lighting.

Note: Only fixtures with dual switching (DS) and no PE, or internal battery pack (E7WH, E10WH, E15WH, E20WC) will use un-switched line (red wire). For all other configurations, the red wire can be capped.

Push all the wires and wire nuts into the j-box.



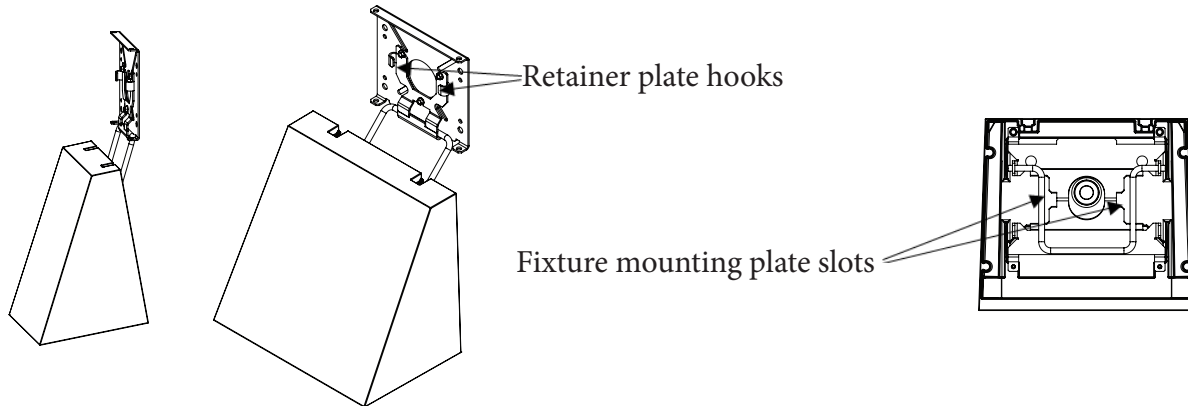
Installation Instructions WDGE LED

5. Lift the fixture all the way up and push it towards the wall, to engage the hooks (2) on the retainer plate with the slots (2) on the fixture mounting plate.

Make sure the wires are not getting pinched.

May have to move the fixture horizontally to center it and allow the hooks to engage.

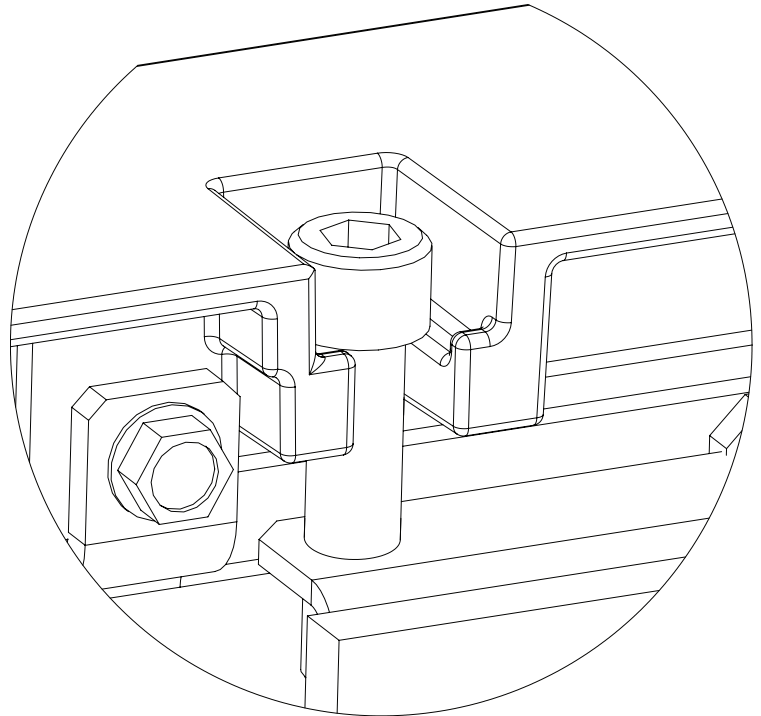
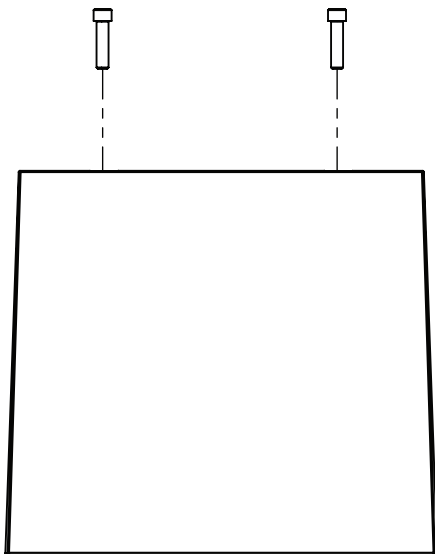
Push down on the fixture slightly to ensure that the hooks are properly engaged.



6. Secure the fixture to the wall mounting plate using the 1/4"-20 x 1 hex socket cap screws (x 2), from step 1, and 3/16" allen wrench.

Make sure to locate the screws behind retaining notches before tightening them.

Tighten the screws to 10 to 15 in-lbs torque.



Installation Instructions

WDGE LED

7. For fixtures with E4WH or E20WC internal emergency battery packs only:

Consult catalog description to make sure the fixture has one of the two emergency battery packs listed above.

THERE IS NO NEED TO REMOVE DOOR OF THE FIXTURE IF THERE IS NO INTERNAL BATTERY PACK OR IF IT IS EQUIPPED WITH E10WH OR E15WH BATTERY PACKS.

Prior to supplying electricity to installed fixture, loosen 4 hex-socket head screws (use 5/32 hex key) on the door and remove door from housing.

Allow door to hang from internal tethers.

Connect internal battery connector to allow emergency battery to function.

E4WH option: connect internal harness to harness coming from test switch installed on the door.

E20WC option: connect the two red wires via the mating connector or connect the black and red wires via the mating connector.

Reinstall door.

After supplying power to the fixture, allow up to 24 hours for internal battery pack to charge before testing.

8. For fixtures with NLTAIR2 only:

Remove the antenna that is taped to the inside of the packaging or to the luminaire.

Screw on the antenna on to the brass thread connector on the top of the luminaire. Tighten it using an 5/16" wrench (crescent wrench ok). Torque the antenna to 3-5 in-lbs.

Troubleshooting: If this fixture fails to operate properly, check to make sure: • The fixture is wired correctly. • The fixture is grounded correctly. • The line voltage at the fixture is correct. If all these variables have been checked and the fixture still does not operate as specified, contact your local Lithonia Lighting distributor.



Lithonia Lighting Outdoor
One Lithonia Way, Conyers, GA 30012
Phone: 1-800-705-SERV
www.lithonia.com

Part Number: 913-00007-001REV A
Revision Date: 11-12-19