

## FEATURES & SPECIFICATIONS

**INTENDED USE** — Wet location, recessed LED troffer for general illumination of demanding environments subject to dust and moisture. Typical applications include shower areas, bathrooms, recreational facilities and canopies.

**Certain airborne contaminants may adversely affect the functioning of LEDs and other electronic components, depending on various factors such as concentrations of the contaminants, ventilation, and temperature at the end-user location. [Click here for a list of substances that may not be suitable for interaction with LEDs and other electronic components.](#)**

**CONSTRUCTION** — Housing is made from 20-gauge cold rolled steel. Door frame is .060 painted aluminum and lens is diffused acrylic. Gasket is closed cell neoprene.

**Finish:** All CRS (cold rolled steel) and aluminum parts are finished with electrostatically deposited, thermally set, polyester powder paint after fabrication. Door frame finish available in black, white and silver colors. Enclosure finish available in white, Antimicrobial white and super-durable white.

**OPTICS** — Long-life LEDs, coupled with high-efficiency drivers, provide extended service life. Lumen maintenance of L80/60,000 hours, L70>100,000 hours.

**ELECTRICAL** — Thermally protected, resetting, Class P, HPF, non-PCB, UL listed, CSA certified driver is standard.

LED driver delivers dimming from a 0-10V control signal. Dims to 1% standard.

Luminaire Surge Protection Level: Designed to withstand up to 6kV/3kA per ANSI C82.77-5-2015.

**INSTALLATION** — Lay-in grid or in-ceiling sheet rock installation using swing-arms with range from 1" to 2" grid height. See drawings for other critical dimensions. Swing-arms are not intended to secure fixture without additional support. Line voltage supply wiring entrance opening is 7/8".

**LISTINGS** — CSA certified to meet U.S. and Canadian standards (UL1598 and UL8750) or NOM Certified. IC rated. Wet location listed. FPA option: NSF Splash Zone 2 (overlap door only).

**BUY AMERICAN ACT** — Product with the BAA option is assembled in the USA and meets the Buy America(n) government procurement requirements under FAR, DFARS and DOT regulations. Please refer to [www.acuitybrands.com/buy-american](http://www.acuitybrands.com/buy-american) for additional information.

For use in ambient temperatures ranging from -4°F (-20°C) to 104°F (40°C) with the exception of 10000LM(1X4) 12000LM(2X2) and 24000LM(2X4). These lumen packages are for use in ambient temperatures ranging from -4°F (-20°C) to 77°F (25°C).

DesignLights Consortium® (DLC) qualified product. Not all versions of this product may be DLC qualified. Please check the DLC Qualified Products List at [www.designlights.org/QPL](http://www.designlights.org/QPL) to confirm which versions are qualified.

**WARRANTY** — 5-year limited warranty. This is the only warranty provided and no other statements in this specification sheet create any warranty of any kind. All other express and implied warranties are disclaimed. Complete warranty terms located at: [www.acuitybrands.com/support/warranty/terms-and-conditions](http://www.acuitybrands.com/support/warranty/terms-and-conditions)

**Note:** Actual performance may differ as a result of end-user environment and application.

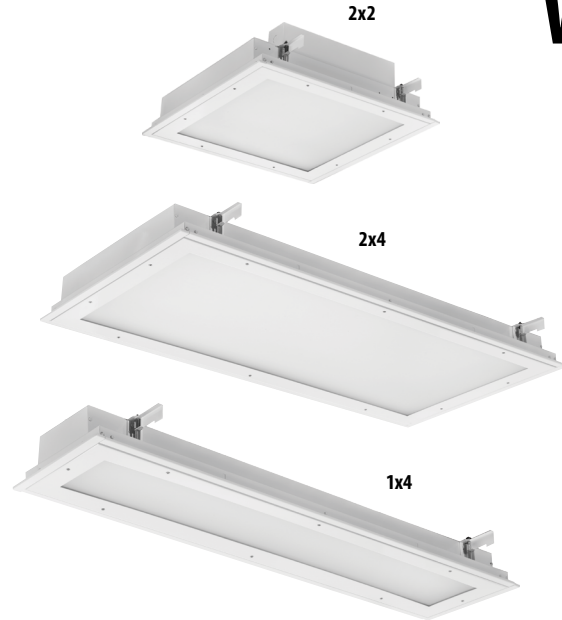
All values are design or typical values, measured under laboratory conditions at 25 °C.

Specifications subject to change without notice.

Catalog Number
Notes
Type

### LED Recessed Wet Location Troffer

# WRTL



### Capable Luminaire

This item is an A+ capable luminaire, which has been designed and tested to provide consistent color appearance and out-of-the-box control compatibility with simple commissioning.

- All configurations of this luminaire meet the Acuity Brands' specification for chromatic consistency
- This luminaire is part of an A+ Certified solution for nLight® control networks marked by a **shaded background**\*

To learn more about A+, visit [www.acuitybrands.com/aplus](http://www.acuitybrands.com/aplus).

\*See ordering tree for details

# WRTL LED Recessed Wet Location Troffer



A+ Capable options indicated by this color background.

## ORDERING INFORMATION

Lead times will vary depending on options selected. Consult with your sales representative.

**Example:** 2WRTL G L48 18000LM IAW AFL 277 EZ1 40K 80CRI WH

Series	Trim type	Length	Nominal Lumens†					
WRTL Recessed wet location troffer, 1' wide†	G Grid (9/16" - 1 1/2" W x 2" H)	L24 24"	1x4:		2x2:		2x4:	
2WRTL Recessed wet location troffer, 2' wide	F Flange	L48 48"	3000LM	3,000 lumens	3000LM	3,000 lumens	3000LM	3,000 lumens
			5000LM	5,000 lumens	5000LM	5,000 lumens	5000LM	5,000 lumens
			7000LM	7,000 lumens†	7000LM	7,000 lumens	7000LM	7,000 lumens
			10000LM	10,000 lumens†	10000LM	10,000 lumens †	10000LM	10,000 lumens
					12000LM	12,000 lumens †	15000LM	15,000 lumens †
							18000LM	18,000 lumens †
							24000LM	24,000 lumens †

Door frame	Diffuser type	Voltage	Driver	Color temperature	Color rendering index
OAW Overlapping aluminum, white	AFL Acrylic, frosted (.080" Thick)	MVOLT 120-277V	EZ1 eldoLED 0-10V ECOdrive. Linear dimming to 1% min.	30K 3000 K	80CRI 80 CRI
OAN Overlapping aluminum, silver		120 120V		35K 3500 K	90CRI 90 CRI
OAM Overlapping aluminum, black		277 277V	GZ1 0-10V dimming†	40K 4000 K	
IAW Inset aluminum, white		347 347V†		50K 5000 K	
IAN Inset aluminum, silver					
IAM Inset aluminum, black					

Options	Finish†
BGTD Generator transfer device†	WH White DWAM Antimicrobial, white DWHXD Super durable, white
PS1050 Emergency battery pack, 10W, CA Title 20 noncompliant †	
E10WLCP EM Self-diagnostics battery pack, 10W, Constant Power Certified in CA Title 20 MAEDBS†	
SF Single fusing	
FPA Food processing area†	
ST3 Constructed with US steel	
BAA Buy America(n) Act Compliant	
<u>Individual Controls:</u> †	
MSE6NWL Embedded high mount 360° motion sensor, wet location, On/Off operation	
MSE62L3VWL Embedded high mount 360° motion sensor, wet location, High/Low operation (2-level)	
MSE6NWL DSCNWL Embedded high mount 360° motion sensor, wet location, On/Off operation from motion sensing, Override Off due to daylight	
MSE10NWL Embedded low mount 360° motion sensor, wet location, On/Off operation	
MSE102L3VWL Embedded low mount 360° motion sensor, wet location, High/Low operation (2-level)	
MSE10NWL DSCNWL Embedded low mount 360° motion sensor, wet location, On/Off operation from motion sensing, Override Off due to daylight	
<u>nLight:</u> †	
nPS80EZ nLight® dimming pack controls, 0-10V eldoLED driver	

## CONFIGURATIONS

Lumens	1' X 4'	2' X 2'	2' X 4'
3,000LM	X	X	X
5,000LM	X	X	X
7,000LM	X	X	X
10,000LM	X	X	X
12,000LM		X	
15,000LM			X
18,000LM			X
24,000LM			X

# WRTL LED Recessed Wet Location Troffer

## ‡ Option Value Ordering Restrictions

Option Value	Restriction
1X4 7000LM	Not available with E10WLCP, Non-IC rated. Must specify voltage.
1x4 10000LM	Non-IC rated. Must specify voltage.
2x2 10000LM	Non-IC rated. Must specify voltage.
2x2 12000LM	Non-IC rated. Must specify voltage.
2X4 15000LM	Not available with GZ1. Non-IC rated. Must specify voltage.
2X4 18000LM	Not available with GZ1. Non-IC rated. Must specify voltage.
2X4 24000LM	Not available with GZ1. Non-IC rated. Must specify voltage.
347V	Utilizes step-down transformer. Refer to back box table on page 4.
BGTD	Not available with MVOLT, 208v, 240v, 347v, OR E10WLCP. Only available with 120v or 277v. For use in ambient temperatures ranging from -4°F (-20°C) to 77°F (25°C).
E10WLCP	Must specify voltage. Not available with MVOLT, 347v, or BGTD. Not available with 1x4 7000LM. For use in ambient temperatures from 0°C (32°F) to 25°C (77°F). See spec sheet <a href="#">PS1055LCP</a> (10W Linear Constant Power) for more information. Meets CA Title 20 compliance.
Finish	Only DWAM and WH paint finish are NSF Certified for non-food contact.
FPA	Provides NSF labeling for Splash Zone 2 (non-food contact). Only available with OAW overlapping doorframe and WH or DWAM finish.
GZ1	Not available with 15000LM, 18000LM and 24000LM. Not available with individual controls.
Individual Controls	Cannot be used with other control options-MSE or nLight. Not available with BGTD. Not available with GZ1.
nLight	Cannot be used with other control options-MSE or nLight. Not available with BGTD. Not available with GZ1.
Nominal Lumens	Not all lumen packages are available with every length/width combination. See configuration chart for availability.
PS1050	Not available with 1x4 7000LM or 10000LM. Not available with 347V. BGTD and PS1050 are Non-IC. Refer to <a href="#">PS1050</a> specification sheet for more information. Utilizes back box. For use in ambient temperatures ranging from -4°F (-20°C) to 77°F (25°C).
WRTL	Only available with L48 length.

## SBG EZ – EMBEDDED Motion Sensor (see [www.acuitycontrols.com](http://www.acuitycontrols.com) for additional information)

- 360° coverage
- On/Off dim
- Photocell optional
- IP65 rated
- Photocell and 0-10VDC dimming options.

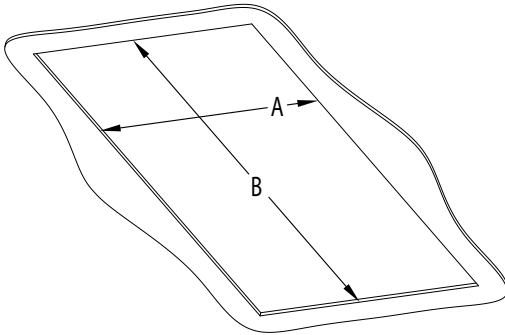


Lithonia nomenclature	Sensor Switch® nomenclature
<b>For shortest lead times use the SBG EZ configurations</b>	
MSE6NWL	SBG 6 EZ WH 0V 10M
MSE62L3VWL	SBG 6 EZ WH 3V
MSE6NWL DSCNWL	SBG 6 EZ P WH 0V 10M
MSE10NWL	SBG 10 EZ WH 0V 10M
MSE102L3VWL	SBG 10 EZ WH 3V
MSE10NWL DSCNWL	SBG 10 EZ P WH 0V 10M

\*When ordering black door frame, sensor will be standard black  
 \*\*When ordering silver door frame, sensor will be standard white

## MOUNTING DATA

### Rough-in



### Rough-in dimensions

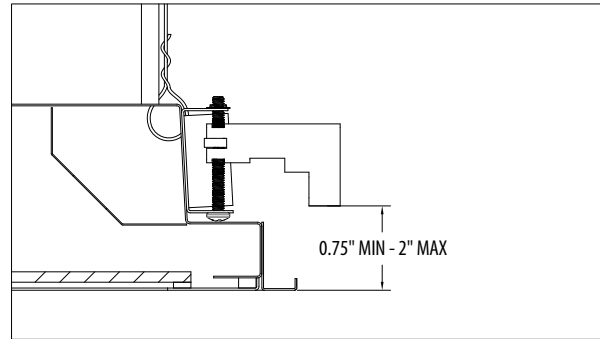
Series	Length	Width (inches)	Length (inches)
WRTL	L48	10 23/32	46 21/32
2WRTL	L24	22 23/32	22 21/32
2WRTL	L48	22 23/32	46 21/32

Weight: (may vary with options or accessories)

1x4: 36 lbs (16.3kg)

2x2: 36 lbs (16.3kg)

2x4: 53 lbs (24.0kg)



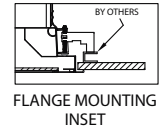
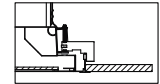
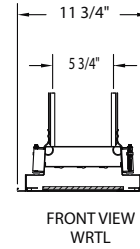
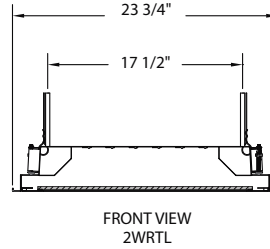
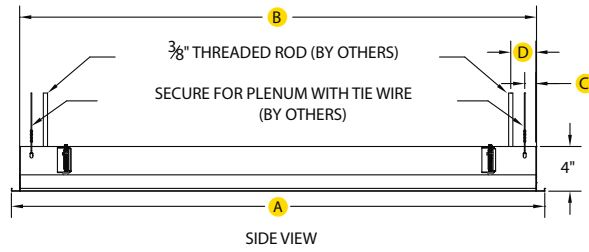
Swing-Arm Reach: 1 3/4"

Swing-arm adjustable range: .75" - 2"

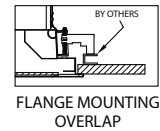
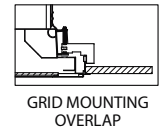
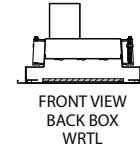
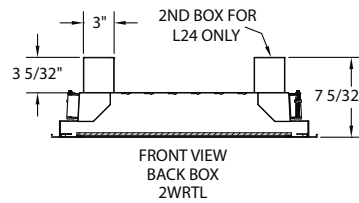
# WRTL LED Recessed Wet Location Troffer

## DIMENSIONS

All dimensions are in inches (centimeters) unless otherwise indicated.  
Dimensions may vary with options or accessories.



Series	Length	(A) Flange Length	(B) Housing Length	(C) Tie Wire	(D) Threaded Rod
2WRTL	L48	47-3/4"	46-1/4"	1"	2-1/4"
2WRTL	L24	23-3/4"	22-1/4"	1"	2-1/4"
WRTL	L48	47-3/4"	46-1/4"	3/4"	1-1/2"



## BACK BOX REFERENCE TABLE

Standard height of fixture is 4". Depending on configuration, a back box may be included which adds 3 5/32" to its height. To determine when a back box is utilized, reference the chart below.

2WRTL L24	347v	>=7000L with PS1050 option
Number of back boxes utilized	2	2

\* Any lumen package less than 7000LM does not ship with a back box, as it's not required

WRTL L48	347v
Number of back boxes utilized	1

2WRTL L48	347v
Number of back boxes utilized	1

## PHOTOMETRICS

See [www.lithonia.com](http://www.lithonia.com).

**OPERATIONAL DATA**

WRTL L48 (1' x 4')	Lumen Packages	Wattage	Delivered Lumens (AFL)
30K 80CRI	3000LM	26.8	3115
	5000LM	44.0	5134
	7000LM	58.6	6598
	10000LM	87.6	9962
35K 80CRI	3000LM	26.8	3184
	5000LM	44.0	5248
	7000LM	58.6	6745
	10000LM	87.6	10184
40K 80CRI	3000LM	26.8	3234
	5000LM	44.0	5330
	7000LM	58.6	6850
	10000LM	87.6	10343
50K 80CRI	3000LM	26.8	3353
	5000LM	44.0	5526
	7000LM	58.6	7102
	10000LM	87.6	10724

2WRTL L24 (2' x 2')	Lumen Packages	Wattage	Delivered Lumens (AFL)
30K 80CRI	3000LM	26.6	2848
	5000LM	41.8	4526
	7000LM	60.6	6814
	10000LM	87.6	9653
	12000LM	109.6	11739
35K 80CRI	3000LM	26.6	2912
	5000LM	41.8	4627
	7000LM	60.6	6966
	10000LM	87.6	9868
	12000LM	109.6	12001
40K 80CRI	3000LM	26.6	2957
	5000LM	41.8	4699
	7000LM	60.6	7074
	10000LM	87.6	10022
	12000LM	109.6	12188
50K 80CRI	3000LM	26.6	3066
	5000LM	41.8	4872
	7000LM	60.6	7334
	10000LM	87.6	10391
	12000LM	109.6	12637

2WRTL L48 (2' x 4')	Lumen Packages	Wattage	Delivered Lumens (AFL)
30K 80CRI	3000LM	21.5	2627
	5000LM	38.7	4632
	7000LM	58.5	6807
	10000LM	80.0	9377
	15000LM	121.1	13871
	18000LM	148.8	16780
	24000LM	204.1	22293
35K 80CRI	3000LM	21.5	2685
	5000LM	38.7	4735
	7000LM	58.5	6959
	10000LM	80.0	9586
	15000LM	121.1	14180
	18000LM	148.8	17154
	24000LM	204.1	22790
40K 80CRI	3000LM	21.5	2727
	5000LM	38.7	4809
	7000LM	58.5	7067
	10000LM	80.0	9735
	15000LM	121.1	14401
	18000LM	148.8	17421
	24000LM	204.1	23145
50K 80CRI	3000LM	21.5	2827
	5000LM	38.7	4986
	7000LM	58.5	7327
	10000LM	80.0	10093
	15000LM	121.1	14931
	18000LM	148.8	18062
	24000LM	204.1	23997