



Installation Instructions

Lithonia Lighting Wet Location Troffer

Grid & Sheet Rock Installation, Maintenance



**READ AND FOLLOW ALL SAFETY INSTRUCTIONS!
SAVE THESE INSTRUCTIONS AND DELIVER TO OWNER AFTER INSTALLATION**

- To reduce the risk of death, personal injury or property damage from fire, electric shock, falling parts, cuts/abrasions, and other hazards please read all warnings and instructions included with and on the fixture box and all fixture labels.
- Before installing, servicing, or performing routine maintenance upon this equipment, follow these general precautions.
- Installation and service of luminaires should be performed by a **qualified licensed electrician**.
- Maintenance of the luminaires should be performed by person(s) familiar with the luminaires' construction and operation and any hazards involved. Regular fixture maintenance programs are recommended.
- It will occasionally be necessary to clean the outside of the refractor/lens. Frequency of cleaning will depend on ambient dirt level and minimum light output which is acceptable to user. Refractor/lens should be washed in a solution of warm water and any mild, non-abrasive household detergent, rinsed with clean water and wiped dry. Should optical assembly become dirty on the inside, wipe refractor/lens and clean in above manner, replacing damaged gaskets as necessary.
- **DO NOT INSTALL DAMAGED PRODUCT!** This luminaire has been properly packed so that no parts should have been damaged during transit. Inspect to confirm. Any part damaged or broken during or after assembly should be replaced.
- Recycle: For information on how to recycle LED electronic products, please visit www.epa.gov.
- These instructions do not purport to cover all details or variations in equipment nor to provide every possible contingency to meet in connection with installation, operation, or maintenance. Should further information be desired or should particular problems arise which are not covered sufficiently for the purchaser's or owner's purposes, this matter should be referred to Acuity Brands Lighting, Inc.



**WARNING
RISK OF ELECTRIC SHOCK**

- ✓ Disconnect or turn off power before installation or servicing.
- ✓ Verify that supply voltage is correct by comparing it with the luminaire label information.
- ✓ Make all electrical and grounded connections in accordance with the National Electrical Code (NEC) and any applicable local code requirements.
- ✓ All wiring connections should be capped with UL approved recognized wire connectors.



**WARNING
RISK OF BURN**

- ✓ Allow lamp/fixture to cool before handling. Do not touch enclosure or light source.
- ✓ Do not exceed maximum wattage marked on luminaire label.
- ✓ Follow all manufacturer's warnings, recommendations and restrictions for: driver type, burning position, mounting locations/methods, replacement and recycling.



**CAUTION
RISK OF INJURY**

- ✓ Wear gloves and safety glasses at all times when removing luminaire from carton, installing, servicing or performing maintenance.
- ✓ Avoid direct eye exposure to the light source while it is on.



**CAUTION
RISK OF FIRE**

- ✓ Keep combustible and other materials that can burn, away from lamp/lens.
- ✓ Do not operate in close proximity to persons, combustible materials or substances affected by heat or drying.



CAUTION: RISK OF PRODUCT DAMAGE

- ✓ Never connect components under load.
- ✓ Do not mount or support these fixtures in a manner that can cut the outer jacket or damage wire insulation.
- ✓ Controls for dimming, auto-sensing, or remote control of a luminaire that are not factory-wired to the luminaire must be checked for compatibility with the luminaire prior to installation. LED fixtures must be powered directly off a switched circuit.
- ✓ Unless individual product specifications deem otherwise: Do not restrict fixture ventilation. Allow for some volume of airspace around fixture. Avoid covering LED fixtures with insulation, foam, or other material that will prevent convection or conduction cooling.
- ✓ Unless individual product specifications deem otherwise: Do not exceed fixtures maximum ambient temperature.
- ✓ Only use fixture in its intended location.
- ✓ LED products are Polarity Sensitive. Ensure proper Polarity before installation.
- ✓ Electrostatic Discharge (ESD): ESD can damage LED fixtures. Personal grounding equipment must be worn during all installation or servicing of the unit.
- ✓ Do not touch individual electrical components as this can cause ESD, shorten lamp life, or alter performance.
- ✓ Some components inside the fixture may not be serviceable. In the unlikely event your unit may require service, stop using the unit immediately and contact an ABL representative for assistance.
- ✓ Always read the fixtures complete installation instructions prior to installation for any additional fixture specific warnings.
- ✓ Always ensure that the electrical distribution system is up to NEC (and any applicable local code) requirements.
- ✓ Verify that power distribution system has proper grounding. Lack of proper earth ground can lead to fixture failure and may void warranty.

Choose either Part 15 OR Part 18 and move to Page 3 Installation Instructions under Delivery. Lithonia Outdoor will always use Part 15. All luminaires that contain electronic devices that generate frequencies above 9kHz from any component within the luminaire comply with Part 15 of the FCC Rules. Operation is subject to the following two conditions:

- (1) This device may not cause harmful interference
- (2) This device must accept any interference received, including interference that may cause undesired operation

This device complies with Part 18 of the FCC Rules but may cause interference with cordless and cell phones, radios, televisions, and other electronic devices. To correct the problem, move the device away from the luminaire or plug into a different outlet. This product may cause interference to radio equipment and should not be installed near maritime safety communications equipment or other critical navigation or communications equipment operating between 0.45-30MHz.

Failure to follow any of these instructions could void product warranties. For a complete listing of product Terms and Conditions, please visit www.acuitybrands.com.

Our Brands	Indoor/Outdoor Lithonia Lighting Carandini Holophane RELOC Light Concepts	Indoor Lighting Gotham Mark Architectural Lighting Peerless Renaissance Lighting Winona Lighting	Outdoor Lighting American Electric Lighting Antique Street Lamps Hydrel Tersen	Controls DARK TO LIGHT LC&D ROAM Sensor Switch Synergy	Daylighting SunOptics
------------	--	---	--	---	--------------------------

Acuity Brands Lighting, Inc. assumes no responsibility for claims arising out of improper or careless installation or handling of its products.

ABL LED General Warnings, Form No. 503.203

© 2010, 2016 Acuity Brands Lighting, Inc. All rights reserved. 12/01/10

WARNING: THIS LIGHT FIXTURE IS DESIGNED FOR INSTALLATION IN A T-GRID-TYPE SUSPENDED CEILING. THE FIXTURE MUST BE SUSPENDED FROM STRUCTURAL MEMBERS OF THE BUILDING ABOVE THE CEILING GRID. IT IS THE RESPONSIBILITY OF THE PERSON INSTALLING THE LIGHT FIXTURE TO ENSURE THAT THE MATERIALS, HARDWARE AND BUILDING STRUCTURAL MEMBERS THAT ARE SELECTED WILL SUPPORT THE LIGHT FIXTURE(S) AND THAT THEY MEET ALL APPLICABLE BUILDING AND SAFETY CODES. **MUST be installed by qualified electrician.**

STEP 1

To remove the door, loosen all the screws so that they are no longer engaged into the fixture housing. Then remove the two safety cables as shown in Figure 1B.

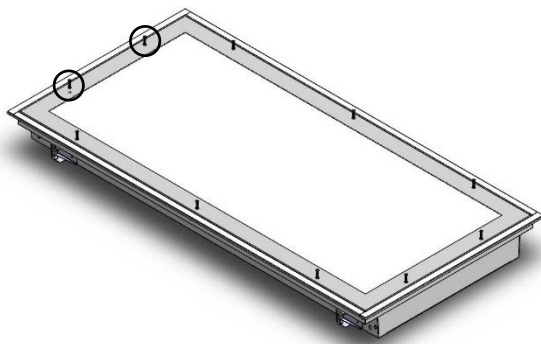


Figure 1A

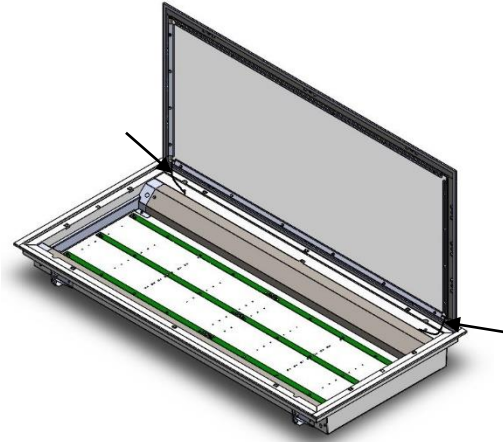


Figure 1B

2WRTL L24 & L48

STEP 2

To take out the driver covers, remove the (3) screws that secure them in place. Lift the driver covers out of the fixture to access the driver compartments.

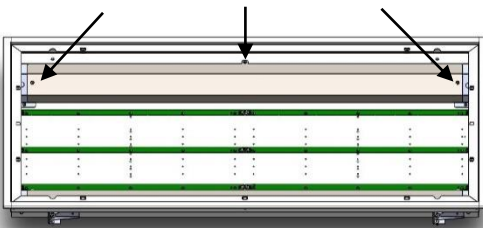


Figure 2A

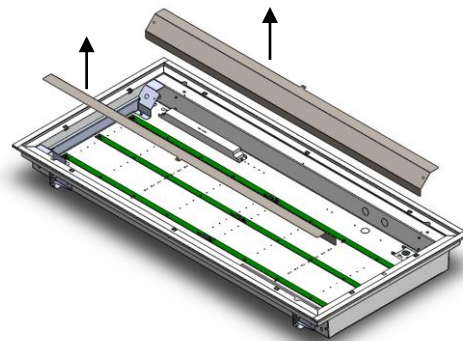


Figure 2B

STEP 3

Once the driver covers are removed, access the knockouts for threaded rods (by others) in each of the four corners of the fixture. After the fixture is in place in the ceiling (see Grid Installation below) use the four thru holes (Figure 3A) for actuating the swing arms.

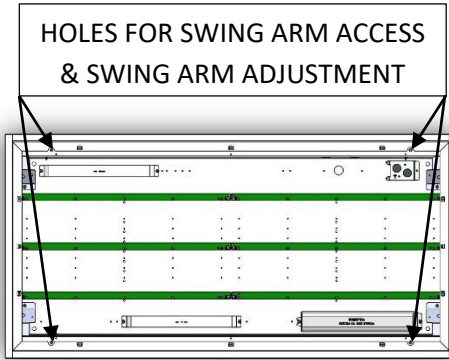


Figure 3A

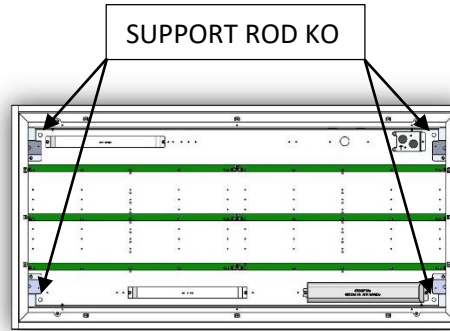


Figure 3B

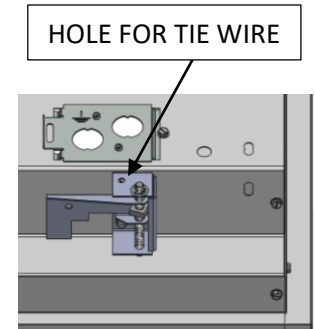


Figure 3C

WRTL L48

STEP 2

Follow Step 1 above for removing the door screws. Then remove the two screws that secure the cover plates down to the LED tray. After the fixture is in place in the ceiling (see Grid Installation below) use the four thru holes (Figure 2B) for actuating the swing arms.

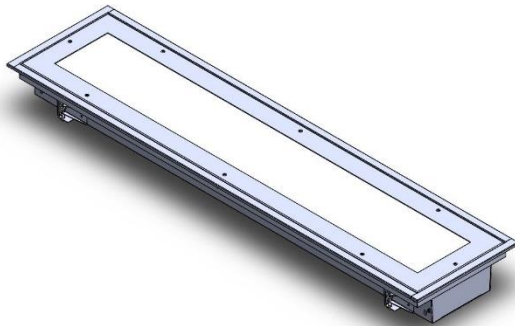


Figure 2A

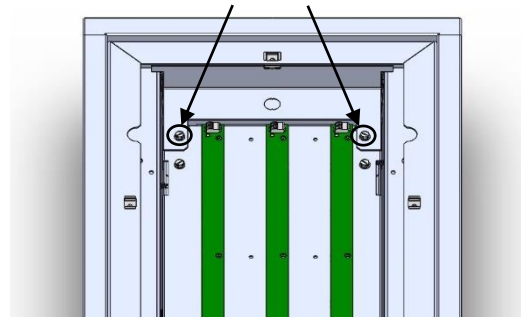


Figure 2B

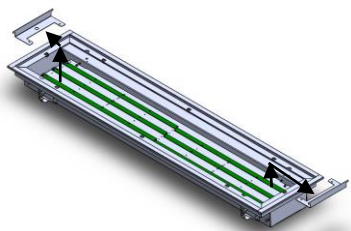


Figure 2C

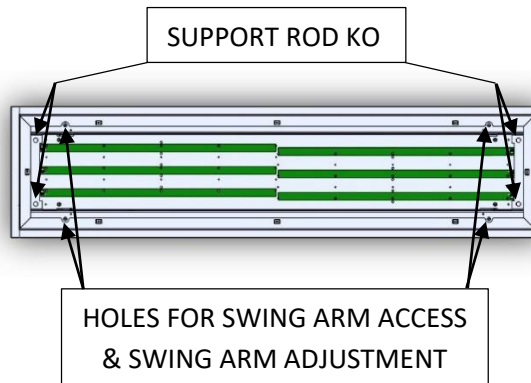


Figure 2D

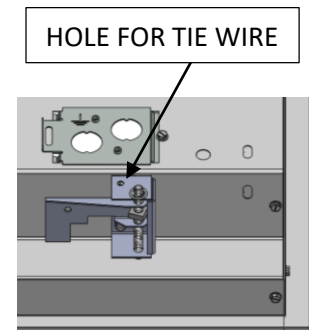
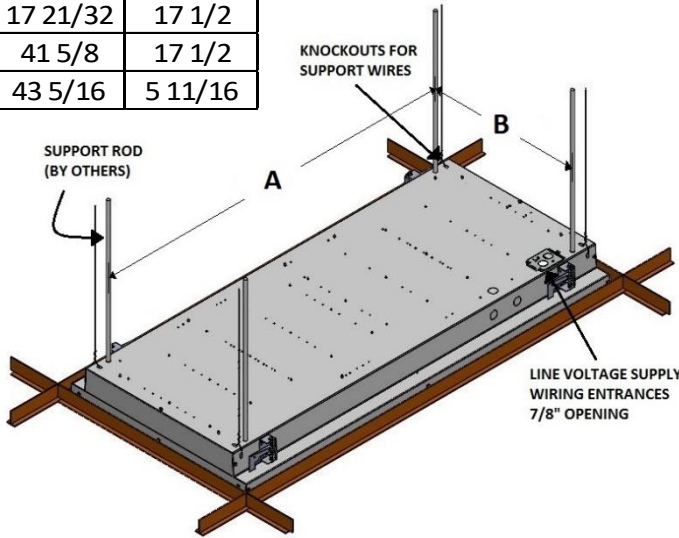


Figure 2E

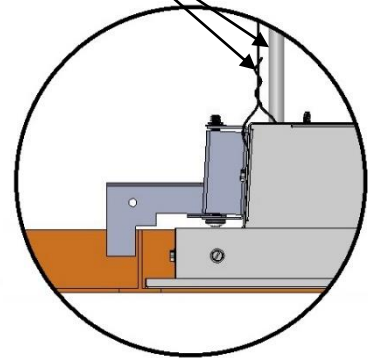
Fixture must be secured to the plenum with threaded rod or tie wire by others. Fixture CANNOT be secured to the ceiling by only the swing arms. They will not support the weight of the fixture. Attach support wires to fixture through knockouts provided as shown. Place fixture in 2' x 4' ceiling grid opening (for 2WRTL L24 - 2' x 2' grid opening, for WRTL L48 - 1' x 4' grid opening), maintaining adequate support for fixture. Securely attach upper ends of support wires/chains to building structural members above fixture, putting some tension in wires. Alternately, up to 3/8" diameter rods can be used to support fixture using the four (4) knockouts provided near the four corners.

	A [in]	B [in]
2WRTL L24	17 21/32	17 1/2
2WRTL L48	41 5/8	17 1/2
WRTL L48	43 5/16	5 11/16



Fixture Mounting in Grid

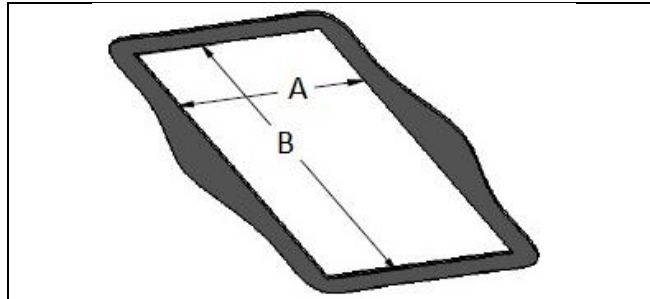
THREADED ROD OR TIE WIRE BY OTHERS



Grid Mount Detail – Inset Door

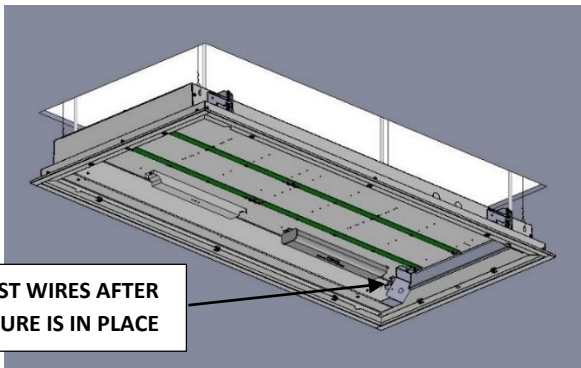
Sheet Rock Installation

See sheet rock cutout size chart below. **Note - fixture MUST be secured to the plenum by contractor at the job site or by others.**

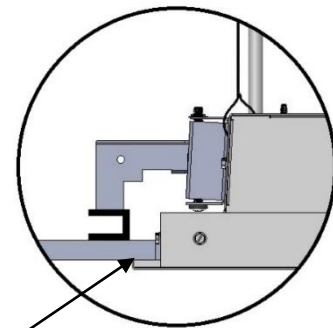


Configuration	A (inches)	B (inches)
1x4	10 23/32	46 21/32
2x2	22 23/32	22 21/32
2x4	22 23/32	46 21/32

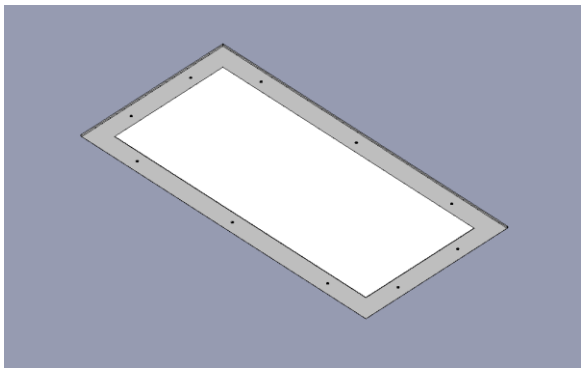
Sheet Rock Cutout Table



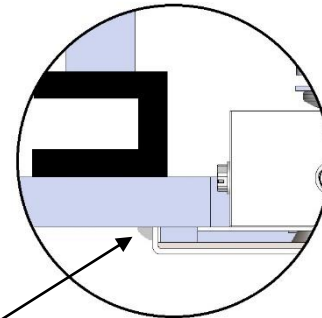
Fixture Mounting in Sheet Rock – Inset Door



Flange Mount Detail – Inset Door



Fixture Mounting in Sheet Rock – Overlap Door



Flange Mount Detail – Overlap Door

Use Momentive RTV100 Series Silicone caulk or equivalent to seal door to sheet rock. Entire perimeter of door to be sealed by others.

Maintenance MUST be performed by qualified electrician.

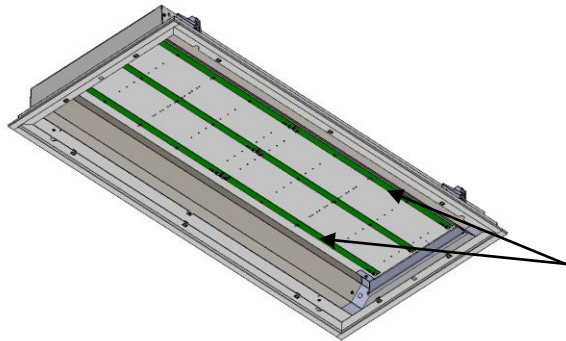
Before starting

Disconnect fixture from power supply before performing any maintenance.

2WRTL L24 & L48

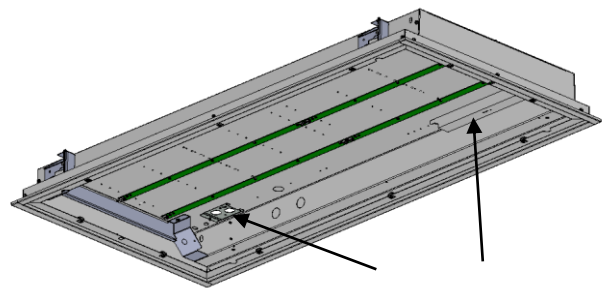
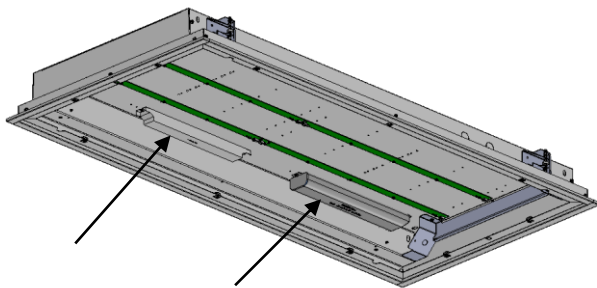
Accessing the LED boards

To access the linear LED boards, follow instructions in Step 1 for opening the door. Note – Do not remove safety cables.



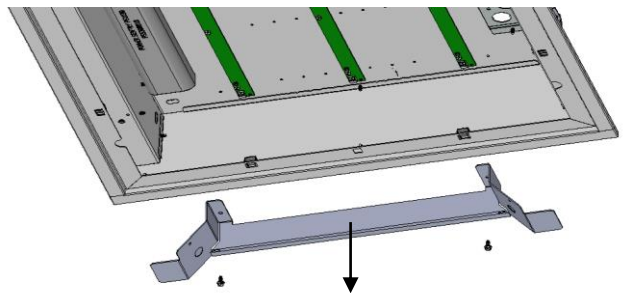
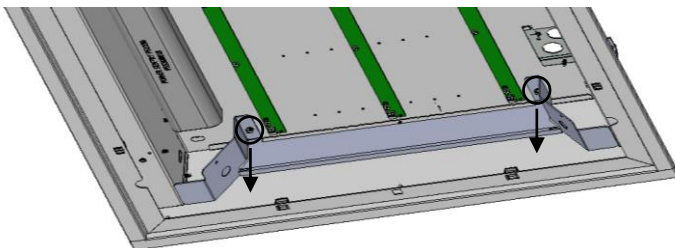
Accessing the LED drivers and other components

To access the LED drivers, electrical components and access plate open the fixture door (as seen above) and remove the two screws that hold each driver cover in place (seen in 2WRTL L24 & L48 - Step 2 above).



Removing end covers to access wiring of LED boards

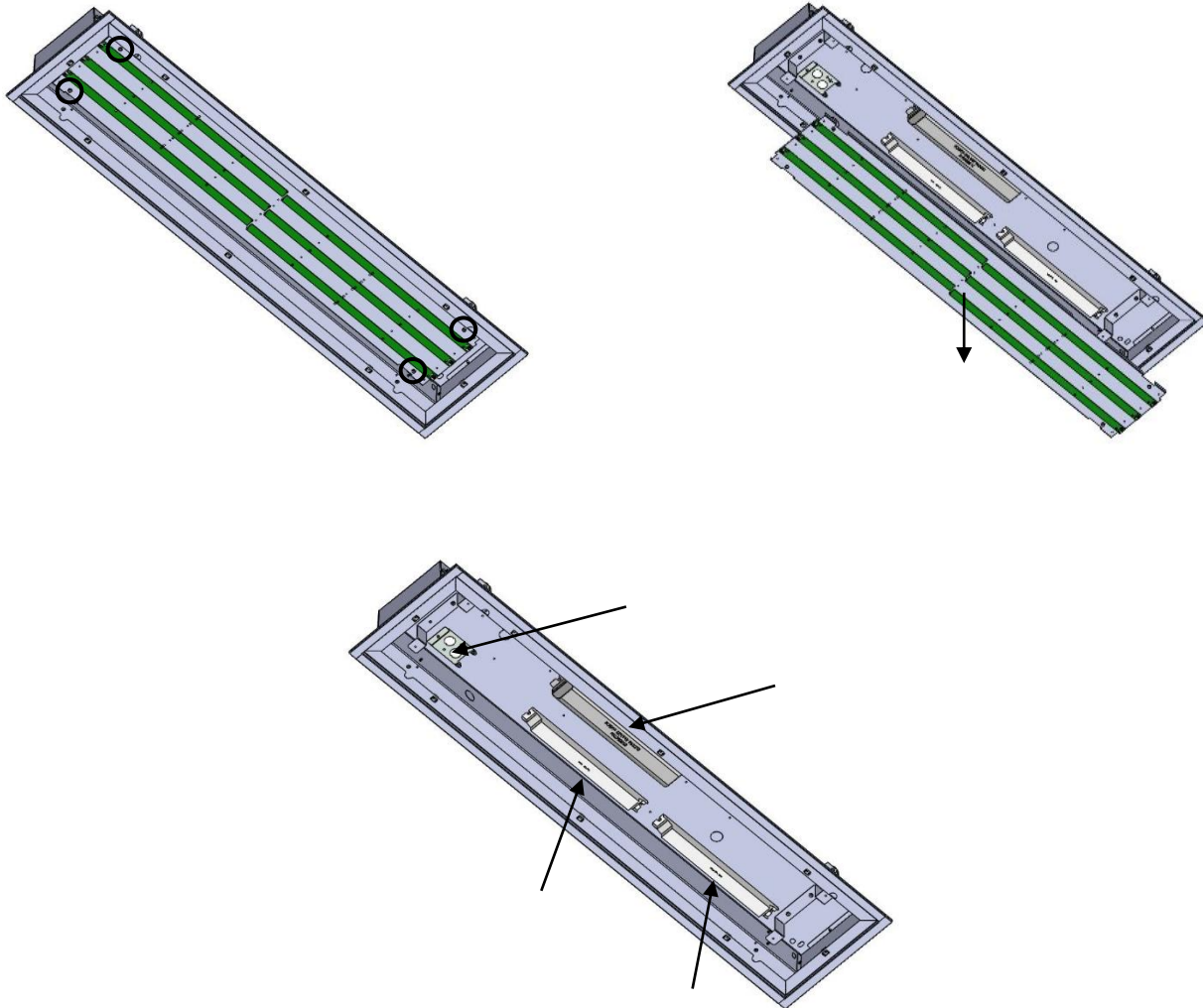
Follow steps above for removing the door and driver covers. Then remove two screws which secure the end cover.



WRTL L48

Removing LED tray to access drivers and other components

Follow steps 1 & 2 above for opening the fixture door and removing the cover plates attached to the LED tray. Then remove (4) screws that secure the LED tray in place. **CAUTION** – The LED tray is not secured by tether; so handle with care when removing. To fully remove the LED tray, disengage the quick disconnects that connect the LED boards to the drivers. Take note of such connections as to maintain them when closing up the fixture.



Note: If performing maintenance on an overlap, flange mounted fixture requires opening the fixture door, caulking MUST be reapplied per the install instructions above to reestablish the seal to the plenum and maintain IP ratings.