

FEATURES & SPECIFICATIONS

INTENDED USE — Vandal-resistant, damp location LED troffer for general illumination of potentially physically abusive public spaces and environments such as locker rooms, recreational facilities, schools, supervised behavioral centers and other vandal prone areas

Certain airborne contaminants may adversely affect the functioning of LEDs and other electronic components, depending on various factors such as concentrations of the contaminants, ventilation, and temperature at the end-user location. [Click here for a list of substances that may not be suitable for interaction with LEDs and other electronic components.](#)

CONSTRUCTION — The 20-gauge cold rolled steel housing, 18-gauge cold rolled steel door frame, tamper-resistant fasteners and polycarbonate lens stand-up to abuse. Swing-arms are 18 gauge, unpainted galvanized steel. Polycarbonate lens is UV stabilized and is available in two different thicknesses to meet demanding requirements. Number of visible door fasteners may vary. Tamper-resistant fasteners are TX15 security-type Torx® fasteners requiring a special tool or bit for access. Tool and bit are not included with fixture.

Finish: All CRS (cold rolled steel) parts are finished with electrostatically deposited, thermally set, polyester powder paint after fabrication.

OPTICS — Long-life LEDs, coupled with high-efficiency drivers, provide extended service life. Lumen maintenance of L80/60,000 hours, L70>100,000 hours.

ELECTRICAL — Thermally protected, resetting, Class P, HPF, non-PCB, UL listed, CSA certified driver is standard. LED driver delivers dimming from a 0-10V control signal. Dims to 1% standard.

Luminaire Surge Protection Level: Designed to withstand up to 6kV/3kA per ANSI C82.77-5-2015

INSTALLATION — Lay-in grid or in-ceiling sheet rock installation using swing-arms with range from 1" to 2" grid height. See drawings for other critical dimensions. Swing-arms are not intended to secure fixture without additional support. The VRTL utilizes tamper-resistant fasteners to prevent unauthorized access to luminaire. **A TX15 Security Torx Screwdriver or TX15 Security Torx® Bit is required** to remove the door and access the internal luminaire components for installation or service. The TX15 Security Torx® Screwdriver or bit is NOT SUPPLIED with fixture.

LISTINGS — CSA certified to meet U.S. and Canadian standards (UL1598 and UL8750) or NOM certified. IC rated. Damp location listed standard. For use in ambient temperatures ranging from -4°F (-20°C) to 104°F (40°C) with the exception of 10000LM(1X4), 12000LM(2X2) and 20000LM(2X4). These lumen packages are for use in ambient temperatures ranging from -4°F (-20°C) to 77°F (25°C).

BUY AMERICAN ACT — Product with the BAA option is assembled in the USA and meets the Buy America(n) government procurement requirements under FAR, DFARS and DOT regulations. Please refer to www.acuitybrands.com/buy-american for additional information.

DesignLights Consortium® (DLC) qualified product. Not all versions of this product may be DLC qualified. Please check the DLC Qualified Products List at www.designlights.org/QPL to confirm which versions are qualified.

WARRANTY — 5-year limited warranty. This is the only warranty provided and no other statements in this specification sheet create any warranty of any kind. All other express and implied warranties are disclaimed. Complete warranty terms located at: www.acuitybrands.com/support/warranty/terms-and-conditions

Note: Actual performance may differ as a result of end-user environment and application.

All values are design or typical values, measured under laboratory conditions at 25 °C.

Specifications subject to change without notice.

Catalog Number
Notes
Type

LED Recessed Vandal Resistant Troffer

VRTL



(images with WL option)



A+ Capable Luminaire

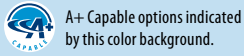
This item is an A+ capable luminaire, which has been designed and tested to provide consistent color appearance and out-of-the-box control compatibility with simple commissioning.

- All configurations of this luminaire meet the Acuity Brands' specification for chromatic consistency
- This luminaire is part of an A+ Certified solution for nLight® control networks marked by a shaded background*

To learn more about A+, visit www.acuitybrands.com/aplus.

*See ordering tree for details

VRTL LED Recessed Vandal Resistant Troffer



ORDERING INFORMATION

Lead times will vary depending on options selected. Consult with your sales representative.

Example: 2VRTL G L48 15000LM ICW APFL 277 EZ1 40K 80CRI WH

Series	Trim type	Length	Nominal Lumens ‡					
VRTL Recessed location troffer, 1' wide ‡	G Grid (9/16" - 1 1/2" W x 2" H)	L24 24"	<u>1x4:</u>		<u>2x2:</u>		<u>2x4:</u>	
	F Flange	L48 48"	3000LM	3,000 lumens	3000LM	3,000 lumens	3000LM	3,000 lumens
2VRTL Recessed location troffer, 2' wide			5000LM	5,000 lumens	5000LM	5,000 lumens	5000LM	5,000 lumens
			7000LM	7,000 lumens ‡	7000LM	7,000 lumens	7000LM	7,000 lumens
			10000LM	10,000 lumens ‡	10000LM	10,000 lumens ‡	10000LM	10,000 lumens
					12000LM	12,000 lumens ‡	12000LM	12,000 lumens
						15000LM	15,000 lumens ‡	
						20000LM	20,000 lumens ‡	

Door frame	Diffuser type	Voltage	Driver	Color temperature	Color rendering index
ICW Inset CRS, white	AP125FL Acrylic frosted lens with 1/8" polycarbonate clear lens	MVOLT 120-277V	EZ1 eldoLED 0-10V ECOdrive. Linear dimming to 1% min.	30K 3000 K	80CRI 80 CRI
ICB Inset CRS, black	AP250FL Acrylic frosted lens with 1/4" polycarbonate clear lens	120 120V	GZ1 0-10V dimming	35K 3500 K	90CRI 90 CRI
		277 277V		40K 4000 K	
		347 347V ‡		50K 5000 K	

Options	Finish	
BGTD Generator transfer device ‡	WH White DWAM Antimicrobial, white DWHXD Super durable, white	
PS1050 Emergency battery pack, 10W ‡		
E10WLCP EM Self-diagnostics battery pack, 10W, Constant Power Certified in CA Title 20 MAEDBS ‡		
SF Single fusing		
WL Wet location		
ST3 Constructed with US steel		
NOM NOM Certified		
BAA Buy America(n) Act Compliant		
<u>Individual Controls:</u> ‡		
MSE6NWL Embedded high mount 360° motion sensor, wet location, On/Off operation		
MSE6ZL3VWL Embedded high mount 360° motion sensor, wet location, High/Low operation (2-level)		
MSE6NWL DSCNWL Embedded high mount 360° motion sensor, wet location, On/Off operation from motion sensing, Override Off due to daylight		
MSE10NWL Embedded low mount 360° motion sensor, wet location, On/Off operation		
MSE10ZL3VWL Embedded low mount 360° motion sensor, wet location, High/Low operation (2-level)		
MSE10NWL DSCNWL Embedded low mount 360° motion sensor, wet location, On/Off operation from motion sensing, Override Off due to daylight		
<u>nLight:</u> ‡		
nPS80EZ nLight® dimming pack controls, 0-10V eldoLED driver		

CONFIGURATIONS

Lumens	1' X 4'	2' X 2'	2' X 4'
3,000LM	X	X	X
5,000LM	X	X	X
7,000LM	X	X	X
10,000LM	X	X	X
12,000LM		X	X
15,000LM			X
20,000LM			X

VRTL LED Recessed Vandal Resistant Troffer

‡ Option Value Ordering Restrictions

Option Value	Restriction
1x4 7,000LM	Not available with E10WLCP or PS1050. Non-IC rated. Must Specify voltage.
1x4 10,000LM	Not available with E10WLCP or PS1050. Non-IC rated. Must Specify voltage.
2x2 10,000LM	Non-IC rated. Must Specify voltage.
2x2 12,000LM	Non-IC rated. Must Specify voltage.
2x4 15,000LM	Not available with GZ1. Non-IC rated. Must Specify voltage.
2x4 20,000LM	Not available with GZ1. Non-IC rated. Must Specify voltage.
347V	Utilizes step-down transformer. Refer to back box table on page 4.
BGTD	Not available with MVOLT, 208v, 240v, 347v, OR E10WLCP. Only available with 120v or 277v. For use in ambient temperatures ranging from -4°F (-20°C) to 77°F (25°C). Non-IC rated.
E10WLCP	Not available with 1x4 7000LM or 10000LM. Must specify voltage. Not available with MVOLT, 347v, or BGTD. For use in ambient temperatures from 0°C (32°F) to 25°C (77°F). See spec sheet PS1055LCP (10W Linear Constant Power) for more information. Meets CA Title 20 compliance.
GZ1	Not available with 15000LM and 20000LM. Not available with individual controls.
Individual Controls	Cannot be used with other control options-MSE or nLight. Not available with BGTD. Not available with GZ1. Occupancy sensor is not vandal-resistant. When ordering VRTL with sensor option, fixture is no longer vandal-resistant.
nLight	Cannot be used with other control options-MSE or nLight. Not available with BGTD. Not available with GZ1.
Nominal Lumens	Not all lumen packages are available with every length/width combination. See configuration chart for availability.
PS1050	Not available with 1x4 7000LM or 10000LM. Not available with 347V. Non-IC rated. Refer to PS1050 specification sheet for more information. Utilizes back box. For use in ambient temperatures ranging from -4°F (-20°C) to 77°F (25°C).
VRTL	Only available with L48.

SBG EZ – EMBEDDED Motion Sensor (see www.acuitycontrols.com for additional information)

- 360° coverage
- On/Off dim
- Photocell optional
- IP65 rated
- Photocell and 0-10VDC dimming options.



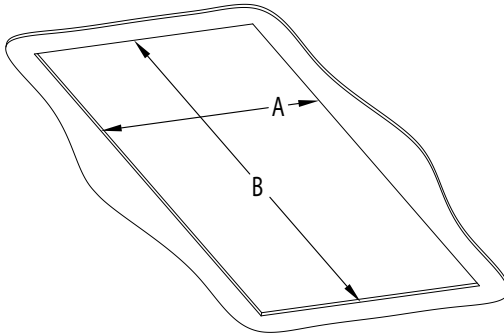
Lithonia nomenclature	Sensor Switch® nomenclature
For shortest lead times use the SBG EZ configurations	
MSE6NWL	SBG 6 EZ WH 0V 10M
MSE62L3VWL	SBG 6 EZ WH 3V
MSE6NWL DSCNWL	SBG 6 EZ P WH 0V 10M
MSE10NWL	SBG 10 EZ WH 0V 10M
MSE102L3VWL	SBG 10 EZ WH 3V
MSE10NWL DSCNWL	SBG 10 EZ P WH 0V 10M

*When ordering black door frame, sensor will be standard black

** Sensor is not vandal resistant

MOUNTING DATA

Rough-in



Rough-in dimensions

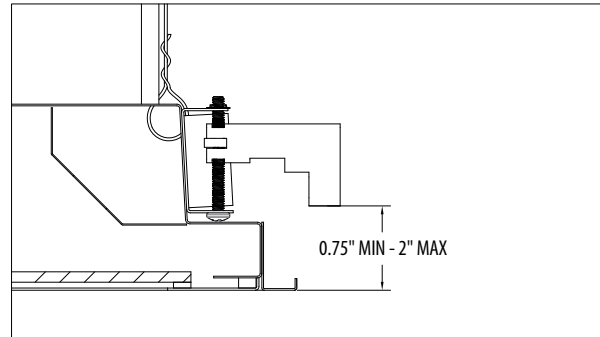
Series	Length	Width (inches)	Length (inches)
VRTL	L48	10 23/32	46 21/32
2VRTL	L24	22 23/32	22 21/32
2VRTL	L48	22 23/32	46 21/32

Weight: (may vary with options or accessories)

1x4: 38 lbs (17.2kg)

2x2: 38 lbs (17.2kg)

2x4: 57 lbs (25.6kg)



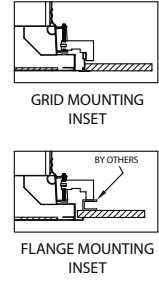
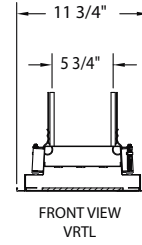
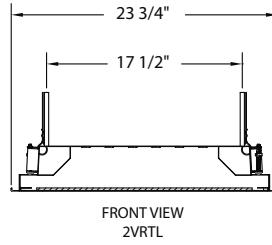
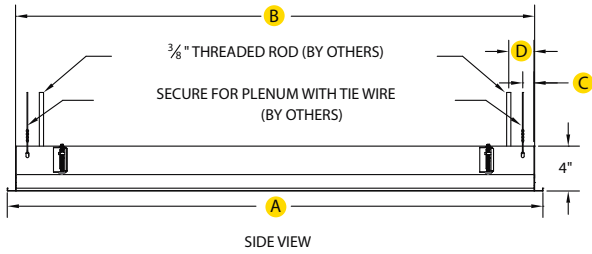
Swing-Arm Reach: 1 3/4"

Swing-arm adjustable range: .75" - 2"

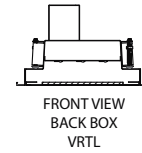
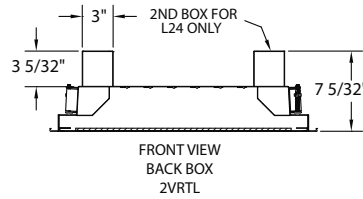
VRTL LED Recessed Vandal Resistant Troffer

DIMENSIONS

All dimensions are in inches (centimeters) unless otherwise indicated.
Dimensions may vary with options or accessories.



Series	Length	(A) Flange Length	(B) Housing Length	(C) Tie Wire	(D) Threaded Rod
2VRTL	L48	47-3/4"	46-1/4"	1"	2-1/4"
2VRTL	L24	23-3/4"	22-1/4"	1"	2-1/4"
VRTL	L48	47-3/4"	46-1/4"	3/4"	1-1/2"



BACK BOX REFERENCE TABLE

Standard height of fixture is 4". Depending on configuration, a back box may be included which adds 3 5/32" to its height. To determine when a back box is utilized, reference the chart below.

2VRTL L24	347v	>=7000L with PS1050 option
Number of back boxes utilized	2	2

* Any lumen package less than 7000LM does not ship with a back box, as it's not required

VRTL L48	347v
Number of back boxes utilized	1

2VRTL L48	347v
Number of back boxes utilized	1

PHOTOMETRICS

See www.lithonia.com.

OPERATIONAL DATA

VRTL L48 (1' x 4')	Lumen Packages	Wattage	Delivered Lumens (APFL)
30K 80CRI	3000LM	26.8	2843
	5000LM	44.0	4685
	7000LM	58.6	6021
	10000LM	87.6	9092
35K 80CRI	3000LM	26.8	2906
	5000LM	44.0	4790
	7000LM	58.6	6155
	10000LM	87.6	9294
40K 80CRI	3000LM	26.8	2951
	5000LM	44.0	4864
	7000LM	58.6	6251
	10000LM	87.6	9439
50K 80CRI	3000LM	26.8	3060
	5000LM	44.0	5043
	7000LM	58.6	6481
	10000LM	87.6	9786

2VRTL L24 (2' x 2')	Lumen Packages	Wattage	Delivered Lumens (APFL)
30K 80CRI	3000LM	26.6	2599
	5000LM	41.8	4130
	7000LM	60.6	6218
	10000LM	87.6	8809
	12000LM	109.6	10713
35K 80CRI	3000LM	26.6	2657
	5000LM	41.8	4223
	7000LM	60.6	6357
	10000LM	87.6	9006
	12000LM	109.6	10952
40K 80CRI	3000LM	26.6	2699
	5000LM	41.8	4288
	7000LM	60.6	6456
	10000LM	87.6	9146
	12000LM	109.6	11123
50K 80CRI	3000LM	26.6	2798
	5000LM	41.8	4446
	7000LM	60.6	6693
	10000LM	87.6	9483
	12000LM	109.6	11532

2VRTL L48 (2' x 4')	Lumen Packages	Wattage	Delivered Lumens (APFL)
30K 80CRI	3000LM	21.5	2397
	5000LM	38.7	4227
	7000LM	58.5	6212
	10000LM	80.0	8557
	12000LM	121.1	12659
	15000LM	148.8	15313
	20000LM	204.1	20344
35K 80CRI	3000LM	21.5	2451
	5000LM	38.7	4321
	7000LM	58.5	6350
	10000LM	80.0	8748
	12000LM	121.1	12941
	15000LM	148.8	15654
	20000LM	204.1	20798
40K 80CRI	3000LM	21.5	2489
	5000LM	38.7	4389
	7000LM	58.5	6449
	10000LM	80.0	8884
	12000LM	121.1	13142
	15000LM	148.8	15898
	20000LM	204.1	21122
50K 80CRI	3000LM	21.5	2580
	5000LM	38.7	4550
	7000LM	58.5	6687
	10000LM	80.0	9211
	12000LM	121.1	13626
	15000LM	148.8	16484
	20000LM	204.1	21899