

**READ AND FOLLOW ALL SAFETY INSTRUCTIONS!  
SAVE THESE INSTRUCTIONS AND DELIVER TO OWNER AFTER INSTALLATION**

- To reduce the risk of death, personal injury or property damage from fire, electric shock, falling parts, cuts/abrasions, and other hazards please read all warnings and instructions included with and on the fixture box and all fixture labels.
- Before installing, servicing, or performing routine maintenance upon this equipment, follow these general precautions.
- Installation and service of luminaires should be performed by a qualified licensed electrician.
- Maintenance of the luminaires should be performed by person(s) familiar with the luminaires' construction and operation and any hazards involved. Regular fixture maintenance programs are recommended.
- It will occasionally be necessary to clean the outside of the refractor/lens. Frequency of cleaning will depend on ambient dirt level and minimum light output which is acceptable to user. Refractor/lens should be washed in a solution of warm water and any mild, non-abrasive household detergent, rinsed with clean water and wiped dry. Should optical assembly become dirty on the inside, wipe refractor/lens and clean in above manner, replacing damaged gaskets as necessary.
- **DO NOT INSTALL DAMAGED PRODUCT!** This luminaire has been properly packed so that no parts should have been damaged during transit. Inspect to confirm. Any part damaged or broken during or after assembly should be replaced.
- Recycle: For information on how to recycle LED electronic products, please visit [www.epa.gov](http://www.epa.gov).
- These instructions do not purport to cover all details or variations in equipment nor to provide every possible contingency to meet in connection with installation, operation, or maintenance. Should further information be desired or should particular problems arise which are not covered sufficiently for the purchaser's or owner's purposes, this matter should be referred to Acuity Brands Lighting, Inc.



**WARNING  
RISK OF ELECTRIC SHOCK**

- ✓ Disconnect or turn off power before installation or servicing.
- ✓ Verify that supply voltage is correct by comparing it with the luminaire label information.
- ✓ Make all electrical and grounded connections in accordance with the National Electrical Code (NEC) and any applicable local code requirements.
- ✓ All wiring connections should be capped with UL approved recognized wire connectors.



**WARNING  
RISK OF BURN**

- ✓ Allow lamp/fixture to cool before handling. Do not touch enclosure or light source.
- ✓ Do not exceed maximum wattage marked on luminaire label.
- ✓ Follow all manufacturer's warnings, recommendations and restrictions for: driver type, burning position, mounting locations/methods, replacement and recycling.



**CAUTION  
RISK OF INJURY**

- ✓ Wear gloves and safety glasses at all times when removing luminaire from carton, installing, servicing or performing maintenance.
- ✓ Avoid direct eye exposure to the light source while it is on.



**CAUTION  
RISK OF FIRE**

- ✓ Keep combustible and other materials that can burn, away from lamp/lens.
- ✓ Do not operate in close proximity to persons, combustible materials or substances affected by heat or drying.



**CAUTION: RISK OF PRODUCT DAMAGE**

- ✓ Never connect components under load.
- ✓ Do not mount or support these fixtures in a manner that can cut the outer jacket or damage wire insulation.
- ✓ Unless individual product specifications deem otherwise: Never connect an LED product directly to a dimmer packs, occupancy sensors, timing devices, or other related control devices. LED fixtures must be powered directly off a switched circuit.
- ✓ Unless individual product specifications deem otherwise: Do not restrict fixture ventilation. Allow for some volume of airspace around fixture. Avoid covering LED fixtures with insulation, foam, or other material that will prevent convection or conduction cooling.
- ✓ Unless individual product specifications deem otherwise: Do not exceed fixtures maximum ambient temperature.
- ✓ Only use fixture in its intended location.
- ✓ LED products are Polarity Sensitive. Ensure proper Polarity before installation.
- ✓ Electrostatic Discharge (ESD): ESD can damage LED fixtures. Personal grounding equipment must be worn during all installation or servicing of the unit.
- ✓ Do not touch individual electrical components as this can cause ESD, shorten lamp life, or alter performance.
- ✓ Some components inside the fixture may not be serviceable. In the unlikely event your unit may require service, stop using the unit immediately and contact an ABL representative for assistance.
- ✓ Always read the fixtures complete installation instructions prior to installation for any additional fixture specific warnings.

**Please see product specific installation instructions for additional warnings or any applicable FCC or other regulatory statements.**

**Failure to follow any of these instructions could void product warranties. For a complete listing of product Terms and Conditions, please visit [www.acuitybrands.com](http://www.acuitybrands.com).**

<p><b>Our Brands</b></p>	<p>Indoor/Outdoor Lithonia Lighting Carandini Holoophane RELOC Light Concepts</p>	<p>Indoor Lighting Gotham Mark Architectural Lighting Peerless Renaissance Lighting Winona Lighting</p>	<p>Outdoor Lighting American Electric Lighting Antique Street Lamps Hydrel Tersen</p>	<p>Controls DARK TO LIGHT LC&amp;D ROAM Sensor Switch Synergy</p>	<p>Daylighting SunOptics</p>
--------------------------	---	---	---	---	----------------------------------

Acuity Brands Lighting, Inc. assumes no responsibility for claims arising out of improper or careless installation or handling of its products.

ABL LED General Warnings, Form No. 503.203

© 2010 Acuity Brands Lighting, Inc. All rights reserved. 12/01/10

# IBG LED HIGHBAY

## INSTALLATION INSTRUCTIONS

**WARNING:** Please read all “important safety instructions” prior to installation of this product.

### A) Identification of IBG Luminaire – Page 4

- 1) IBG 8000LM
- 2) IBG 12000LM, 15000LM
- 3) IBG 18000LM, 24000LM, 30000LM, 36000LM
- 4) IBGN 18000LM
- 5) IBGN 24000LM, 30000LM
- 6) IBG 36000LM, 48000LM, 60000LM
- 7) WGX Option
- 8) IBG V-HANGER Accessory
- 9) THUN (Surface Mount) Accessory
- 10) PMP (Pendant Mount) Option

### B) Required Handling Locations – Page 5

### C) Pre-installation for all mounting – Page 5

### D) Installation – Suspended Fixture – Page 5-6

### E) Installation – THUN (Surface) Mount – Page 6

### F) Installation – PMP (Pendant) Mount – Page 6

### G) Installation – External Occupancy Sensor – Page 7

### H) Installation – NPP16D, RPP20D Controller – Page 7

### I) Wiring – Emergency (ETS, E10WCP, IE20WCPHE, IE30WCPHE) – Page 7

### J) Wiring – IMP Connector – Page 8

### K) Servicing – Page 8

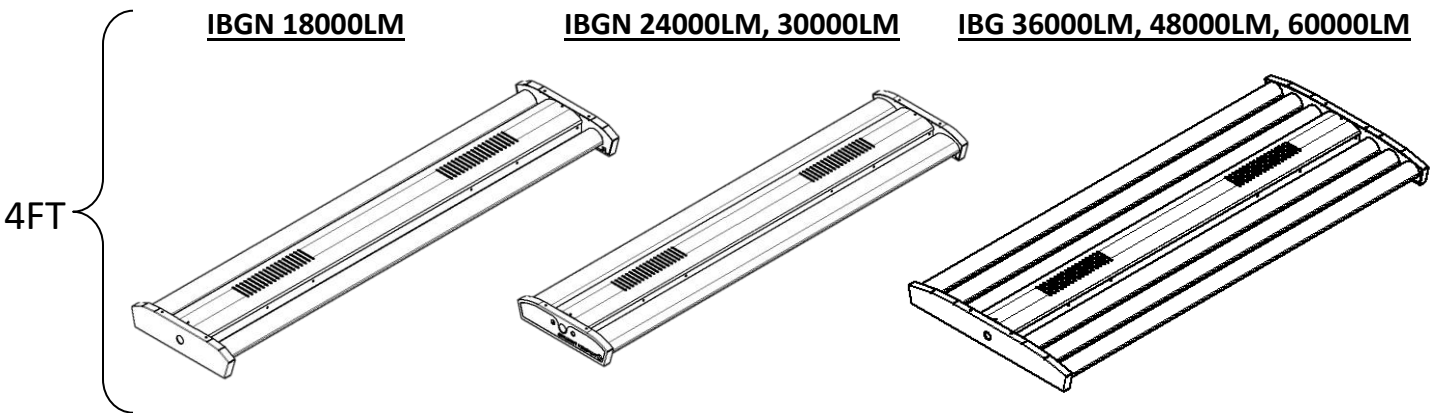
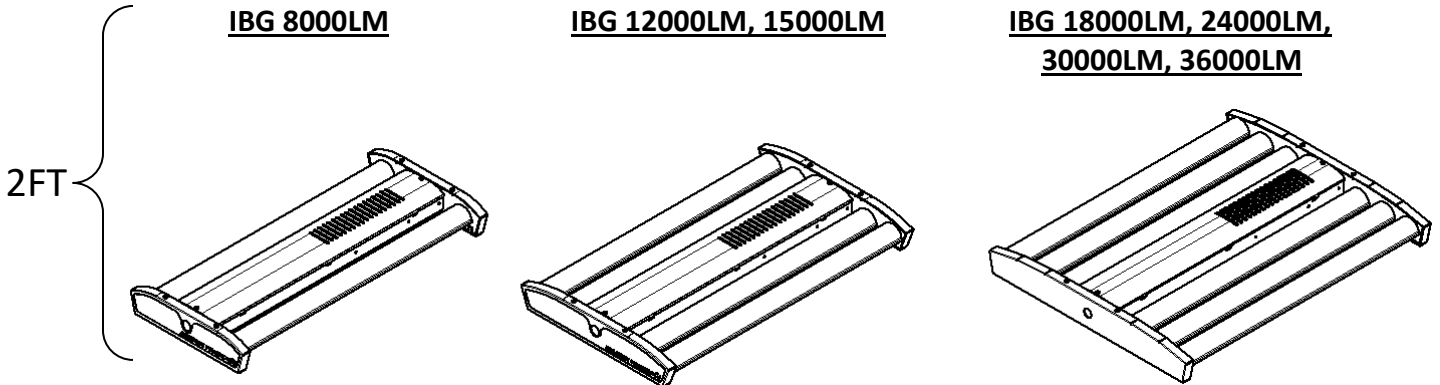
### L) Haleon Sensor Commissioning – Page 9

### M) nLight AIR Device (rSBOR, rPP20) Commissioning – Page 9

### N) Rotatable Optic Adjustment – Page 10

### O) rMSOD sensor, antenna installation – Page 10

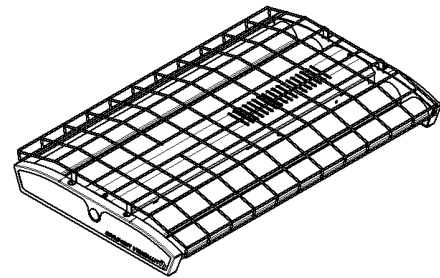
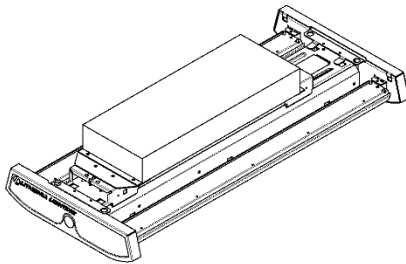
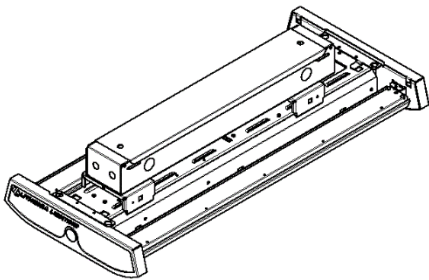
**SECTION A: Identification of IBG Luminaire**



**BATTERY OPTION**  
(E10WCP, Access Plate not removable)

**BATTERY OPTION**  
(20W/30W sizes vary, Access plate not removable)

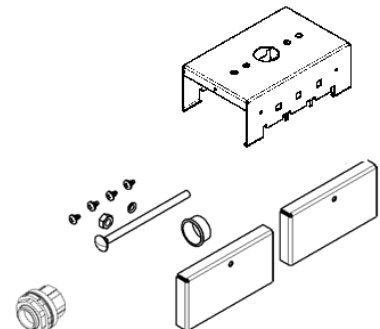
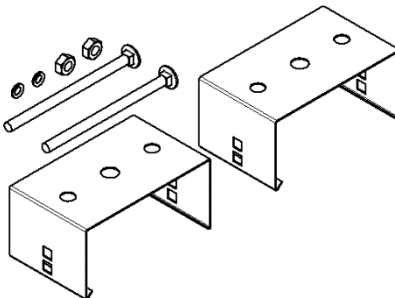
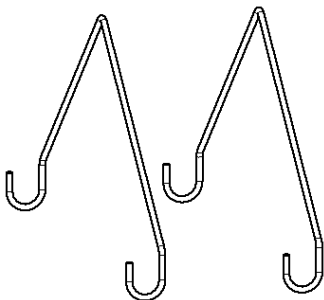
**WGX OPTION**



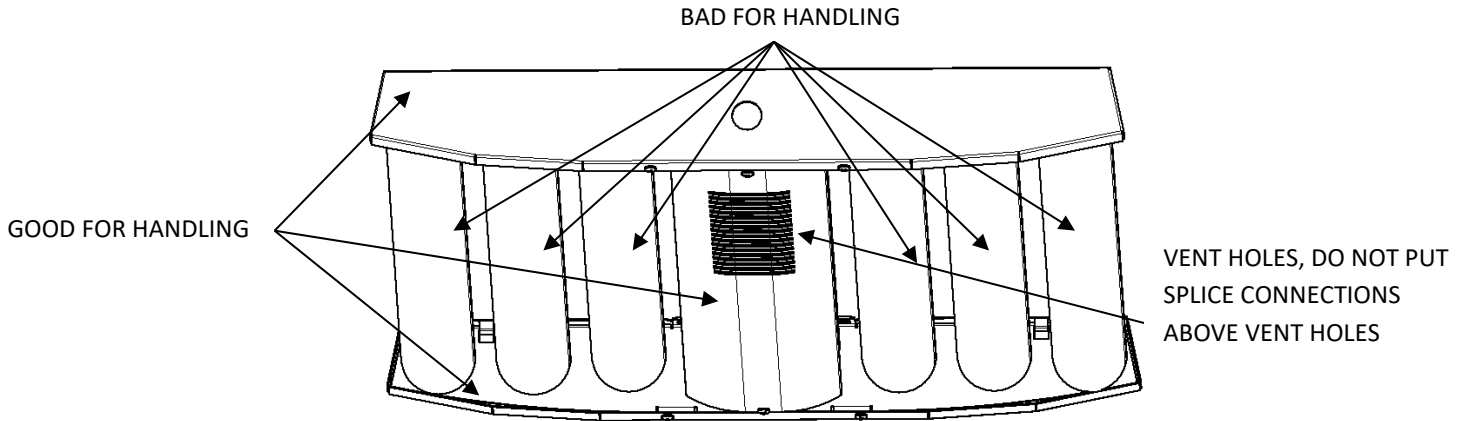
**HBBS V-HANGER ACCESSORY**

**THUN ACCESSORY**

**IBG PMP ACCESSORY**



**SECTION B: REQUIRED HANDLING LOCATIONS**



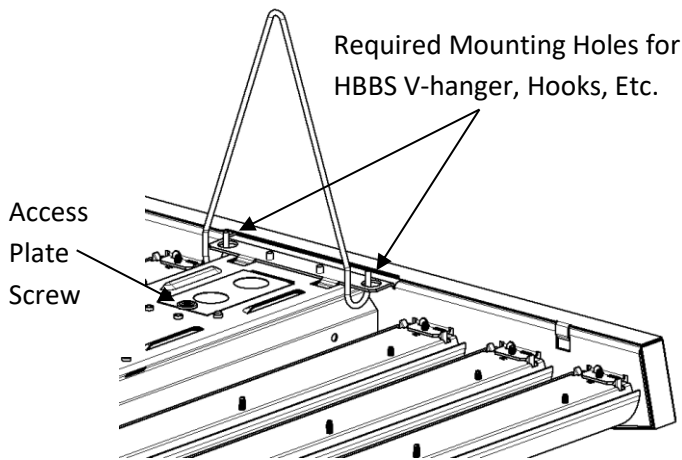
When handling the fixture during unpacking and installation **DO NOT** use LED Modules for carrying/support. **DO** use the center channel and end caps for carrying/support

**Section C: PRE-INSTALLATION FOR ALL MOUNTING**

- 1) Ensure power is **OFF**.
- 2) Inspect the mounting location for damage before installing new IBG Luminaire. Ensure mounting structure is properly sized to support the weight of the fixture.
- 3) All battery configurations are not available with THUN (Surface) or PMP (Pendant) mounting.
- 4) Remove luminaire from packing and inspect for any damages. If the fixture is damaged do not use; call your local representative for assistance.
- 5) If a protective wrapping is included, do not remove until the final building/inspection stage. Do not use this luminaire as a work light during construction. **Do not touch the LEDs.**
- 6) After installation ensure no wires are pinched or caught outside the electrical channel.

**SECTION D: INSTALLATION - SUSPENDED FIXTURE**

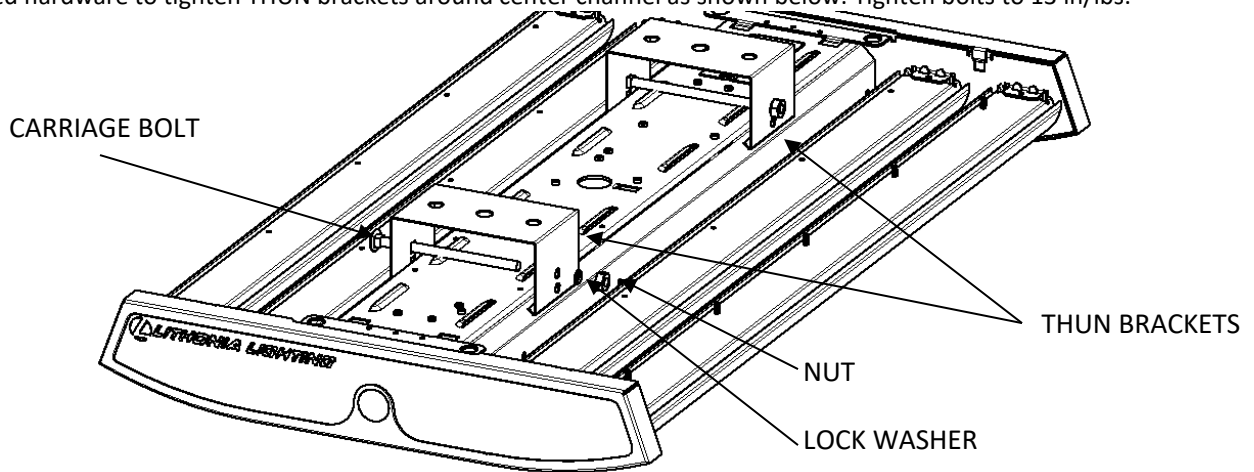
- 1) If using the V-hanger and chain, feed hanger through chain link.
- 2) If using the HBBS V-Hanger (supplied with HBBS36), hook the hanger through holes in end cap shown below and crimp closed. If using aircraft cable and hook, use the same holes to suspend the fixture. **WARNING:** For GYM applications additional safety cables are needed.



- 3) Remove access plate screw as shown above. Input wires will be attached to the access plate. Remove the necessary knockout(s) and connect input wires black to black, white to white and green to green. Use only UL listed connectors rated 90°C or greater. Purple and Gray wires are low voltage dimming leads.
- 4) Make any necessary electrical connections. Supply wire must meet applicable electrical codes and be rated for a minimum of 90°C. Purple and gray leads are 0-10V (low voltage) dimming leads.
- 5) Push wires inside center channel, ensure electrical connections are not located above vent holes as shown in the Section B image. **FAILURE TO DO SO WILL VOID CERTIFICATION AND WARRANTY.**

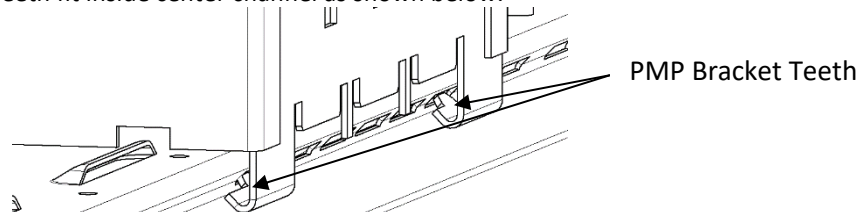
**SECTION E: INSTALLATION – THUN MOUNT**

- 1) Follow Steps 3-5 from Section D
- 2) Attach THUN brackets to structure (not supplied). Two THUN brackets **MUST** be used on all configurations.
- 3) Support fixture while snapping fixture into THUN brackets. Ensure fixture is balanced.
- 4) Use supplied hardware to tighten THUN brackets around center channel as shown below. Tighten bolts to 13 in/lbs.

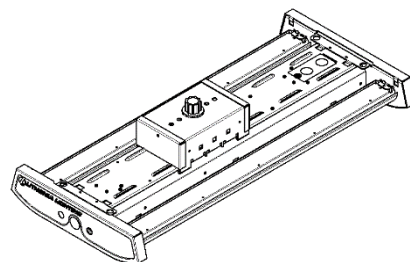
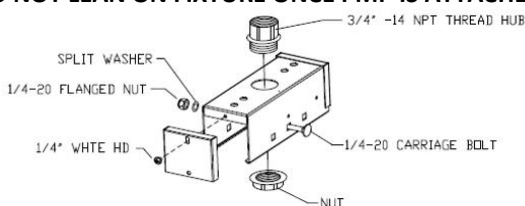


**SECTION F: INSTALLATION – PMP MOUNT**

- 1) PMP Mounting is not available with batteries.
- 2) Attach PMP Hub to threaded pendant/conduit (not supplied) using 3/4"- 14 NPT THREAD HUB and Nut (supplied) as shown below.
- 3) If luminaire is 2FT install plastic bushing (supplied) in center hole.
- 4) Support fixture while snapping fixture into PMP Bracket. PMP bracket may need to be shifted off center in order for the fixture to remain balanced. Ensure PMP Bracket Teeth fit inside center channel as shown below.

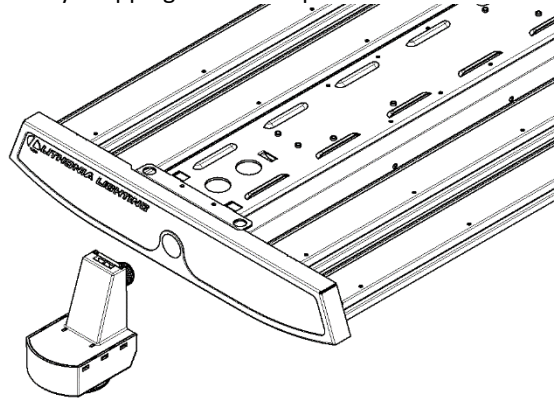


- 5) Use supplied carriage bolt, washer, and nut to tighten PMP Hub around center channel. Tighten to 13 in/lbs
- 6) Input wires will be pulled out of the center of the fixture. Make any necessary electrical connections. Supply wire must meet applicable electrical codes and be rated for a minimum of 90°C. Purple and gray leads are 0-10V (low voltage) dimming leads.
- 7) Attach PMP Bracket sides with screws, one each as shown below. Ensure wires are not pinched.
- 8) **DO NOT LEAN ON FIXTURE ONCE PMP IS ATTACHED.**



**Section G: Installation – External Occupancy Sensor**

- 1) External Occupancy sensor will be pre-wired to the fixture.
- 2) Install external occupancy sensor to fixture by snapping into end cap as shown in the fixture below.

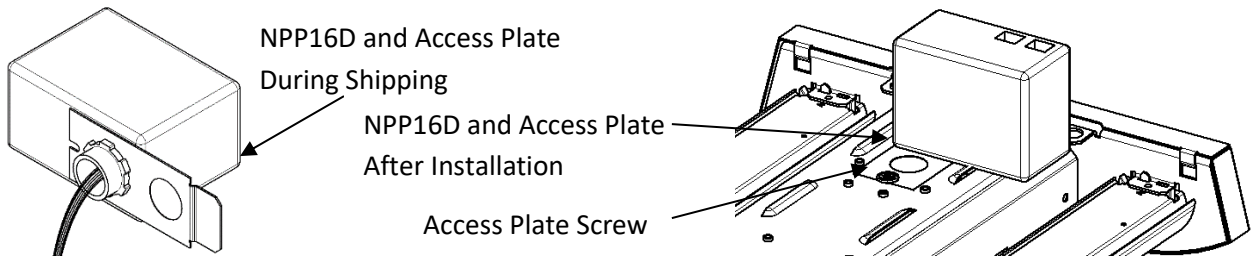


- 3) Rotate/Align the sensor head such that the sensor lens is parallel to the floor.
- 4) Install fixture based on specified mounting instructions.

**Section H: Installation – NPP16D, rPP20D**

**NPP16D, rPP20D:**

- 1) NPP16D will be prewired to the fixture and attached to the access plate. The access plate will NOT be attached to the fixture.
- 2) Attach access plate to center channel using screw provided as shown below.



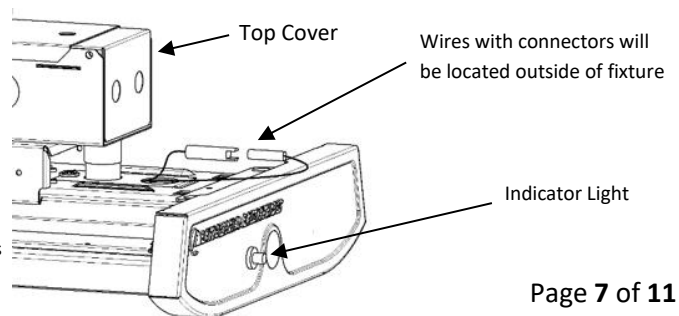
- 3) Install fixture based on specified mounting instructions.

**Section I: Wiring – Emergency (ETS, E10WCP, IE20WCPHE, IE30WCPHE)**

- 1) Install fixture based on specified mounting instructions.
- 2) Input Wires will be located outside of the access plate. Access plate is not removeable. Connect unswitching power to fixture wires labeled unswitched. Connect unswitched power to white, black, and green wires. Supply wire must meet applicable electrical codes and be rated for a minimum of 90°C. Purple and gray leads are 0-10V (low voltage) dimming leads.
- 3) If using the E10WCP remove the top cover using the two quarter-turn fasteners. Connect the white indicator light connector to battery.
- 4) If using the E10WCP, IE20WCPHE or IE30WCPHE press the indicator light for testing

Emergency Maximum Mounting Heights	
Fixture Cat. No.	Max mounting height (ft)
IBG 8000LM SEF AFL WD PS1050	20
IBG 12000LM SEF AFL WD IE20WCPHE	21
IBG 12000LM SEF AFL WD IE30WCPHE	26
IBG 15000LM SEF AFL WD IE20WCPHE	21
IBG 15000LM SEF AFL WD IE30WCPHE	26
IBG 18000LM SEF AFL WD IE20WCPHE	20
IBG 18000LM SEF AFL WD IE30WCPHE	22
IBG 24000LM SEF AFL WD IE20WCPHE	20
IBG 24000LM SEF AFL WD IE30WCPHE	21
IBG 30000LM SEF AFL WD IE20WCPHE	21
IBG 30000LM SEF AFL WD IE30WCPHE	26

\*Table represents typicals. For best results, determine best mounting heights using layouts

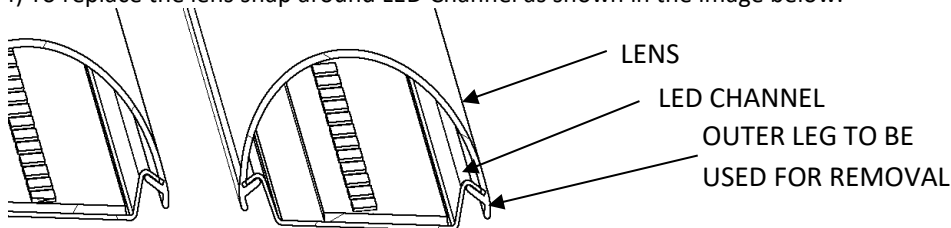


**Section J: Wiring – IMP Connector**

- 1) Install fixture based on specified mounting instructions.
- 2) A 5/8" knock out is located on the IMP access plate. If dimming is required remove access plate and knock out knockout. Pull dimming wires through access plate and connect to dimming circuit. Reattached access plate to fixture.
- 3) Snap supply power with IMP male connector (not supplied) into luminaire female IMP connector.

**SECTION K: SERVICING**

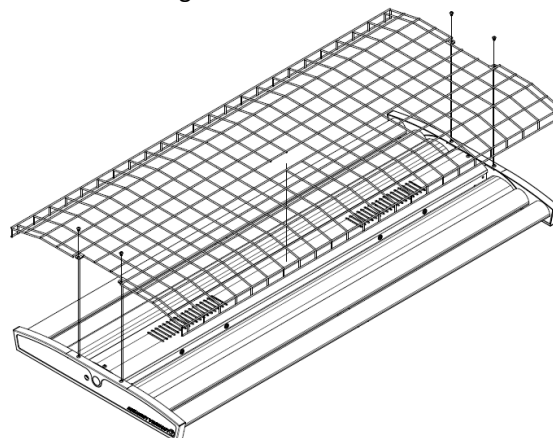
- 1) Clean fixture as needed. Double check all mounting hardware.
- 2) After installation, wear protective gloves if the lenses need to be removed
- 3) The lens snaps around LED channel. To remove lens, carefully pull on outer leg to disengage from LED channel. Continue pulling outer leg along the fixture length to disengage lens.
- 4) To replace the lens snap around LED Channel as shown in the image below.



- 5) To access electrical components, loosen the two captive screws from central channel cover as shown below.
- 6) Driver Channel Cover will hang on central channel during servicing. Be cautious to avoid bumping fixture as the driver channel cover can become disengaged.



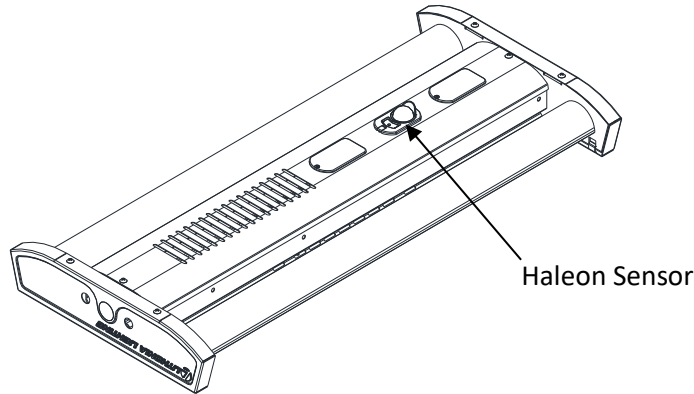
- 7) Make any necessary adjustments or driver changes. **DO NOT PLACE ELECTRICAL CONNECTIONS ABOVE DRIVER CHANNEL COVER VENTS**
- 8) Close Driver channel cover and secure using two screws.
- 9) If adding a wireguard in the field, attach to fixture using four fixture screws shown below.





**SECTION L: Haleon Sensor Commissioning**

1) Please refer to *Integrated Haleon Sensor Quick-Start Guide* ([902-00035-001](#)).



Please locate additional references and resources below:

<https://www.acuitybrands.com/products/detail/754371/Sensor-Switch/Haleon/>

**SECTION M: nLight AIR Device (rSBOR, rPP20) Commissioning**

1) Please refer to *nLight AIR Quick Start Guide* ([902-00035-001](#)) included with the luminaire.

2) Please locate additional references and resources below:

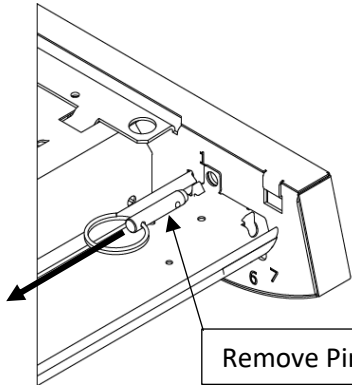
<https://www.acuitybrands.com/products/detail/593818/lithonia-lighting/ibg-high-bay/i-beamr-ibg-configurable-led-high-bay>  
<http://www.acuitybrands.com/nlightair>

Warranty terms are located at the link below:

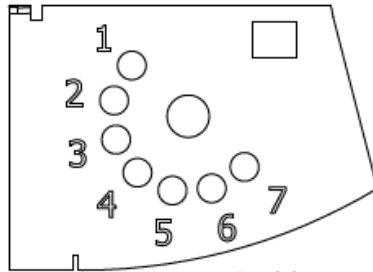
<http://www.acuitybrands.com/resources/terms-and-conditions>

**SECTION N: Rotatable Optics (ROTO) adjustment**

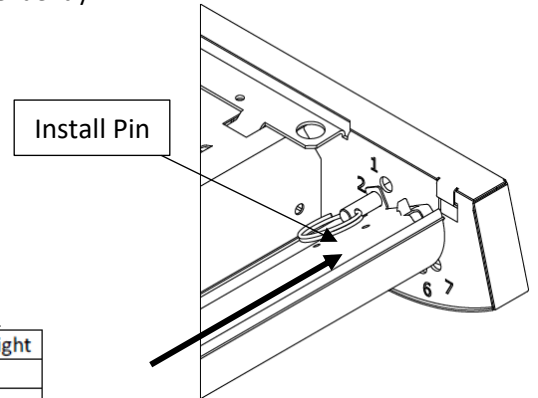
- 1) Install fixture based on specific mounting instruction.
- 2) Remove detent pin.
- 3) Rotate to desired angle (positions 1-7).
- 4) Install detent pin to secure position.
- 5) Repeat on the other bar if necessary, each outermost optic can be rotated independently.



Remove Pin



Position	Angle
1	0° - Downlight
2	30°
3	60°
4	90°
5	120°
6	150°
7	180° - Uplight

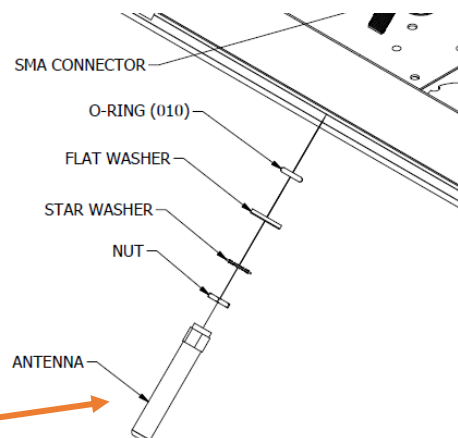
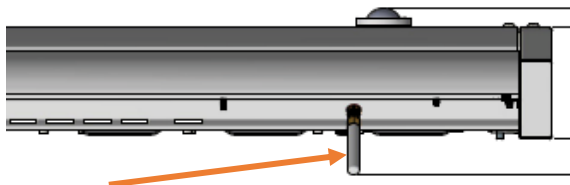
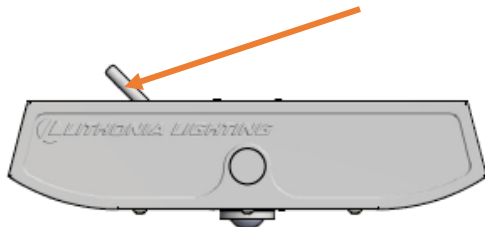
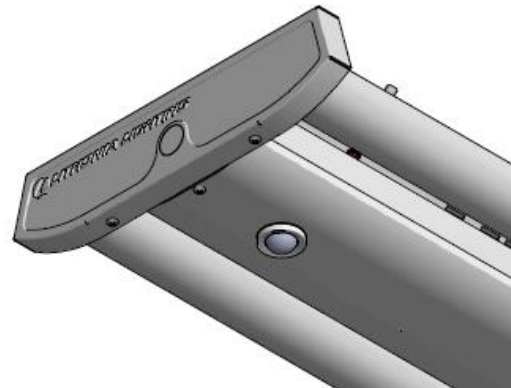


Install Pin

**SECTION O: rMSOD Sensor, Antenna Installation**

**nLIGHT AIR SENSOR - RMSOD**

**nLIGHT® AIR Dimming and Photo Sensor**



**Caution: Look for the antenna inside the box or on the back of the fixture. It needs to be installed to make the sensor work.**



**Importado por:  
Holophane, S.A. de C.V.**

Av, La Silla #7711  
Parque Industrial La Silla  
Guadalupe, N.L. C.P. 67193  
Tel: 52-81-8318-0460

## **LUMINARIOS**

**Marcas: Lithonia Lighting**

**PRECAUCION:** Por su seguridad y el funcionamiento adecuado del luminario, **lea cuidadosamente las siguientes instrucciones antes de empezar la instalación.**

**Este instructivo aplica a todos los productos de Lithonia Lighting series IBG, IBGN. El número de catálogo específico, y sus características eléctricas, se encuentran en la etiqueta del producto.**

1. Desconecte la alimentación eléctrica de la caja de fusibles antes de instalar el luminario.
2. Abra el luminario para tener acceso a los cables de conexión.
3. Monte el luminario en la ubicación deseada, y asegúrela utilizando dispositivos mecánicos adecuados.
4. Utilizando capuchones aislantes, conecte los cables del luminario. Si el luminario tiene un cable blanco y uno negro, conecte el blanco al neutro del circuito de alimentación y el negro a la "línea", aterrice el luminario. En el caso de equipos con mas cables de conexión, identifique el adecuado a la línea de alimentación (todas vienen marcadas con etiquetas) y conéctela a la "línea" de la alimentación, conecte la punta marcada con "com" al neutro de la alimentación. Asegúrese de aislar perfectamente los cables que no utilizo.
5. En los casos en que aplique, reinstale la cubierta del balastro o controlador.
6. Reestablezca la alimentación eléctrica en la caja de fusibles y verifique la operación del luminario.

***GUARDE ESTAS INSTRUCCIONES***