




## IMPORTANT LED SAFETY INSTRUCTIONS


**READ AND FOLLOW ALL SAFETY INSTRUCTIONS!**  
**SAVE THESE INSTRUCTIONS AND DELIVER TO OWNER AFTER INSTALLATION**

- To reduce the risk of death, personal injury or property damage from fire, electric shock, falling parts, cuts/abrasions, and other hazards please read all warnings and instructions included with and on the fixture box and all fixture labels.
- Before installing, servicing, or performing routine maintenance upon this equipment, follow these general precautions.
- Installation and service of luminaires should be performed by a **qualified licensed electrician**.
- Maintenance of the luminaires should be performed by person(s) familiar with the luminaires' construction and operation and any hazards involved. Regular fixture maintenance programs are recommended.
- It will occasionally be necessary to clean the outside of the refractor/lens. Frequency of cleaning will depend on ambient dirt level and minimum light output which is acceptable to user. Refractor/lens should be washed in a solution of warm water and any mild, non-abrasive household detergent, rinsed with clean water and wiped dry. Should optical assembly become dirty on the inside, wipe refractor/lens and clean in above manner, replacing damaged gaskets as necessary.
- **DO NOT INSTALL DAMAGED PRODUCT!** This luminaire has been properly packed so that no parts should have been damaged during transit. Inspect to confirm. Any part damaged or broken during or after assembly should be replaced.
- Recycle: For information on how to recycle LED electronic products, please visit [www.epa.gov](http://www.epa.gov).
- These instructions do not purport to cover all details or variations in equipment nor to provide every possible contingency to meet in connection with installation, operation, or maintenance. Should further information be desired or should particular problems arise which are not covered sufficiently for the purchaser's or owner's purposes, this matter should be referred to Acuity Brands Lighting, Inc.

	<b>WARNING</b> RISK OF ELECTRIC SHOCK
<ul style="list-style-type: none"> <li>✓ Disconnect or turn off power before installation or servicing.</li> <li>✓ Verify that supply voltage is correct by comparing it with the luminaire label information.</li> <li>✓ Make all electrical and grounded connections in accordance with the National Electrical Code (NEC) and any applicable local code requirements.</li> <li>✓ All wiring connections should be capped with UL approved recognized wire connectors.</li> </ul>	

	<b>WARNING</b> RISK OF BURN
<ul style="list-style-type: none"> <li>✓ Allow lamp/fixture to cool before handling. Do not touch enclosure or light source.</li> <li>✓ Do not exceed maximum wattage marked on luminaire label.</li> <li>✓ Follow all manufacturer's warnings, recommendations and restrictions for: driver type, burning position, mounting locations/methods, replacement and recycling.</li> </ul>	

	<b>CAUTION</b> RISK OF INJURY
<ul style="list-style-type: none"> <li>✓ Wear gloves and safety glasses at all times when removing luminaire from carton, installing, servicing or performing maintenance.</li> <li>✓ Avoid direct eye exposure to the light source while it is on.</li> </ul>	

	<b>CAUTION</b> RISK OF FIRE
<ul style="list-style-type: none"> <li>✓ Keep combustible and other materials that can burn, away from lamp/lens.</li> <li>✓ Do not operate in close proximity to persons, combustible materials or substances affected by heat or drying.</li> </ul>	

## IMPORTANT LED SAFETY INSTRUCTIONS



### CAUTION: RISK OF PRODUCT DAMAGE

- ✓ Never connect components under load.
- ✓ Do not mount or support these fixtures in a manner that can cut the outer jacket or damage wire insulation.
- ✓ Unless individual product specifications deem otherwise: Never connect an LED product directly to a dimmer packs, occupancy sensors, timing devices, or other related control devices. LED fixtures must be powered directly off a switched circuit.
- ✓ Unless individual product specifications deem otherwise: Do not restrict fixture ventilation. Allow for some volume of airspace around fixture. Avoid covering LED fixtures with insulation, foam, or other material that will prevent convection or conduction cooling.
- ✓ Unless individual product specifications deem otherwise: Do not exceed fixtures maximum ambient temperature.
- ✓ Only use fixture in its intended location.
- ✓ LED products are Polarity Sensitive. Ensure proper Polarity before installation.
- ✓ Electrostatic Discharge (ESD): ESD can damage LED fixtures. Personal grounding equipment must be worn during all installation or servicing of the unit.
- ✓ Do not touch individual electrical components as this can cause ESD, shorten lamp life, or alter performance.
- ✓ Some components inside the fixture may not be serviceable. In the unlikely event your unit may require service, stop using the unit immediately and contact an ABL representative for assistance.
- ✓ Always read the fixtures complete installation instructions prior to installation for any additional fixture specific warnings.

**Please see product specific installation instructions for additional warnings or any applicable FCC or other regulatory statements.**

**Failure to follow any of these instructions could void product warranties. For a complete listing of product Terms and Conditions, please visit [www.acuitybrands.com](http://www.acuitybrands.com).**

<b>Our Brands</b> Lithonia Lighting Carandini Holophane RELOC Light Concepts	<b>Indoor/Outdoor</b> Lithonia Lighting Carandini Holophane RELOC Light Concepts	<b>Indoor Lighting</b> Gotham Mark Architectural Lighting Peerless Renaissance Lighting Winona Lighting	<b>Outdoor Lighting</b> American Electric Lighting Antique Street Lamps Hydrel Tersen	<b>Controls</b> DARK TO LIGHT LC&D ROAM Sensor Switch Synergy	<b>Daylighting</b> SunOptics
---	---	--	---	--	---------------------------------

**Acuity Brands Lighting, Inc. assumes no responsibility for claims arising out of improper or careless installation or handling of its products.**

ABL LED General Warnings, Form No. 503.203

© 2010 Acuity Brands Lighting, Inc. All rights reserved. 12/01/10

## TROUBLE SHOOTING

If this fixture fails to operate properly, check to make sure:

- The fixture is wired correctly.
- The fixture is grounded correctly.
- The line voltage at the fixture is correct.

## FHE INSTALLATION INSTRUCTIONS

*INSTALLATION OF THIS FIXTURE IN ANY OTHER MANNER THAN WHAT IS INDICATED WITHIN THE SUPPLIED INSTRUCTIONS WILL VOID ALL WARRANTIES.*

These instructions are for fixture level installation.

Ensure proper voltage will be supplied to the fixture. Check the fixture label on the carton for fixture voltage. Fixture must be grounded before use. Remove fixture from packaging and check for damage. Care should be taken to protect fixture during handling. Remove plastic film from lens prior to installation.

## MOUNTING METHODS

Mounting options must be specified when ordered. The following mounting methods are available. Please refer to the specification sheet when determining acceptable mounting options for specific application.



Cable



V-hook



EMK



RMK

## Wet location fitting (WLF):

For WLF, fittings will come installed in the fixture. Fittings can accept 1/2" rigid conduit. The WLF option must be specified when ordered. See Figure 1 for detail. Wet location fittings must be used in conjunction with another mounting method.

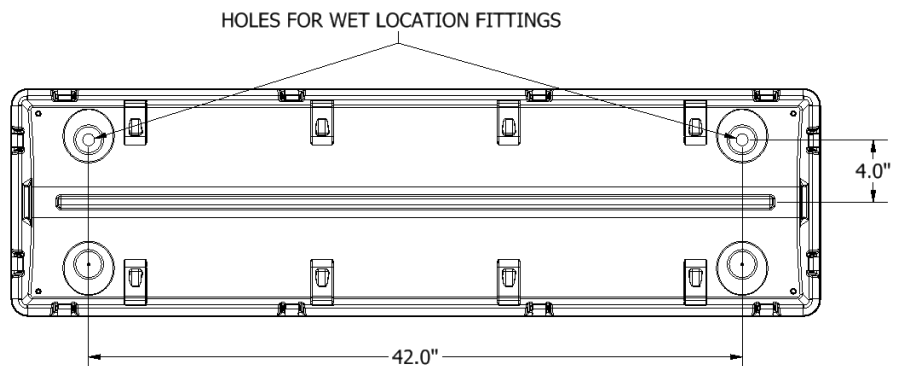


Figure 1

**GENERAL INSTALLATION**

For all mounting methods ensure facility mounting points and mounting hardware (provided by others) are rated for 4X the fixture load, approximate fixture weight is 40 lbs. Fixture dimensions are shown in Figure 2. The fixture mounting strap spacing is 36.0" apart.

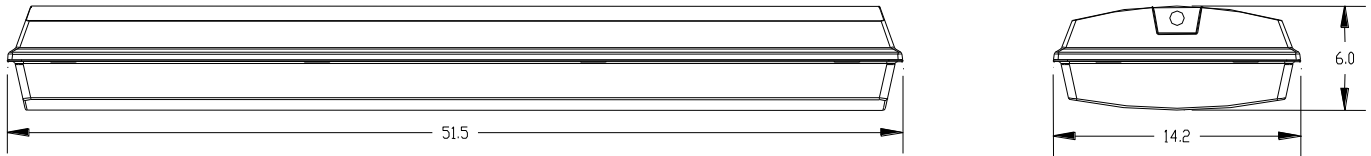


Figure 2

**CABLE INSTALLATION**

1. For cable mounting, install the cable into the four provided mounting straps on the fixture.

**V-HOOK INSTALLATION**

1. For V-hook mounting, install the stainless steel V-hooks into the four provided mounting straps on the fixture. Cable or chain is attached to the V-hooks (cable or chain is ordered separately or provided by others).

**RMK INSTALLATION**

1. See Figure 3 for RMK Detail. Install the RMK mounting brackets to the facility mounting points 36.0" apart as shown in Figure 4.

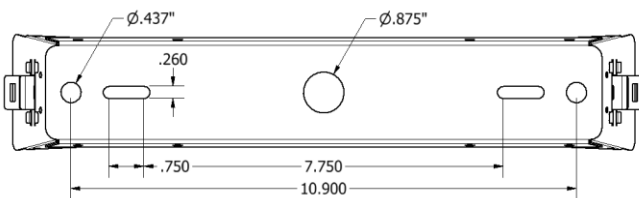


Figure 3

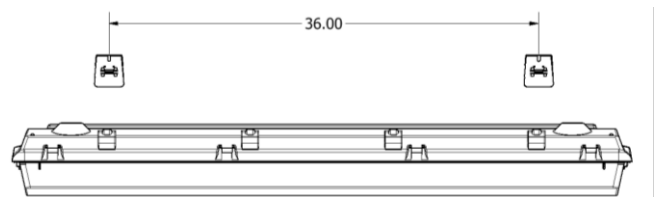


Figure 4

2. Press the four Fixture Mounting Straps against RMK brackets as shown in Figure 5. Fixture Mounting Strap will snap into RMK bracket as shown in Figure 6.



Figure 5



Figure 6

3. Pull on fixture mounting straps to ensure secure attachment and make sure the power cord is not pinched between the fixture housing and RMK mounting brackets.

## EMK INSTALLATION

1. Install the stainless steel mounting plates on the ends of the fixture with the provided fittings. Cable is attached to the mounting plates (cable supplied is ordered separately or provided by others). Mounting plates are located 49.0" apart. Cable support must be perpendicular to the fixture.

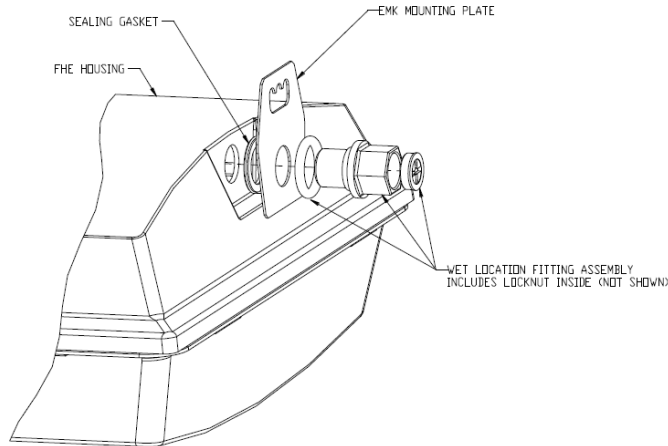


Figure 7

## DRIVER AND WIRING ACCESS

Once the fixture is suspended:

1. Remove the lens by supporting the lens with one hand and releasing the 12 latches (Figure 8 and 9) with the other hand. Once all latches are detached, lens will be free. Place aside.



Figure 8

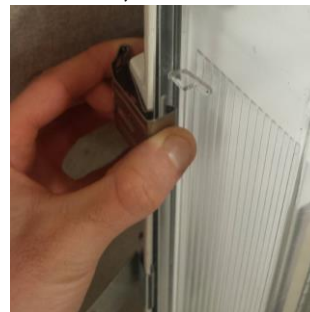


Figure 9

2. To open the gear tray, support the LED tray with one hand and with the other hand push the LED tray latch at one end outward to release the LED tray as shown in Figure 10. On the same side but opposite end of the fixture, support the LED tray with one hand and push the LED tray latch outward to release. Slowly lower the LED tray, it will hinge on the remaining LED tray latches as shown in Figure 11. Image shows open LED tray if released on side without tethers. Tethers support the LED tray on one side and will only open approximately six inches. Support the LED tray to prevent reflector damage. Do not release both latches on one end of the fixture.



Figure 10

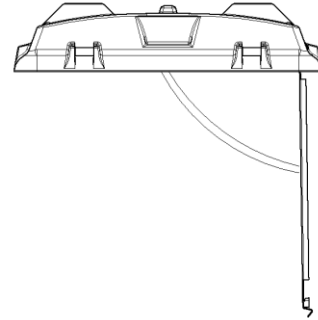


Figure 11

3. Make the electrical connection to the fixture in accordance with your local electrical code. Make all necessary wiring connections, observing proper voltage and polarity. For fixtures with BSL722 (BSL722Cold) option, connect the BSL722 Driver Fuse shown in Figure 12. Wire only un-switched power to battery pack.

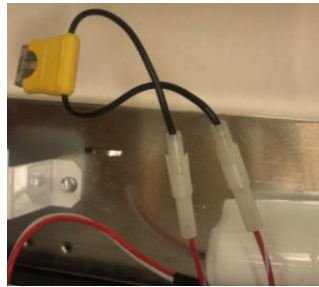
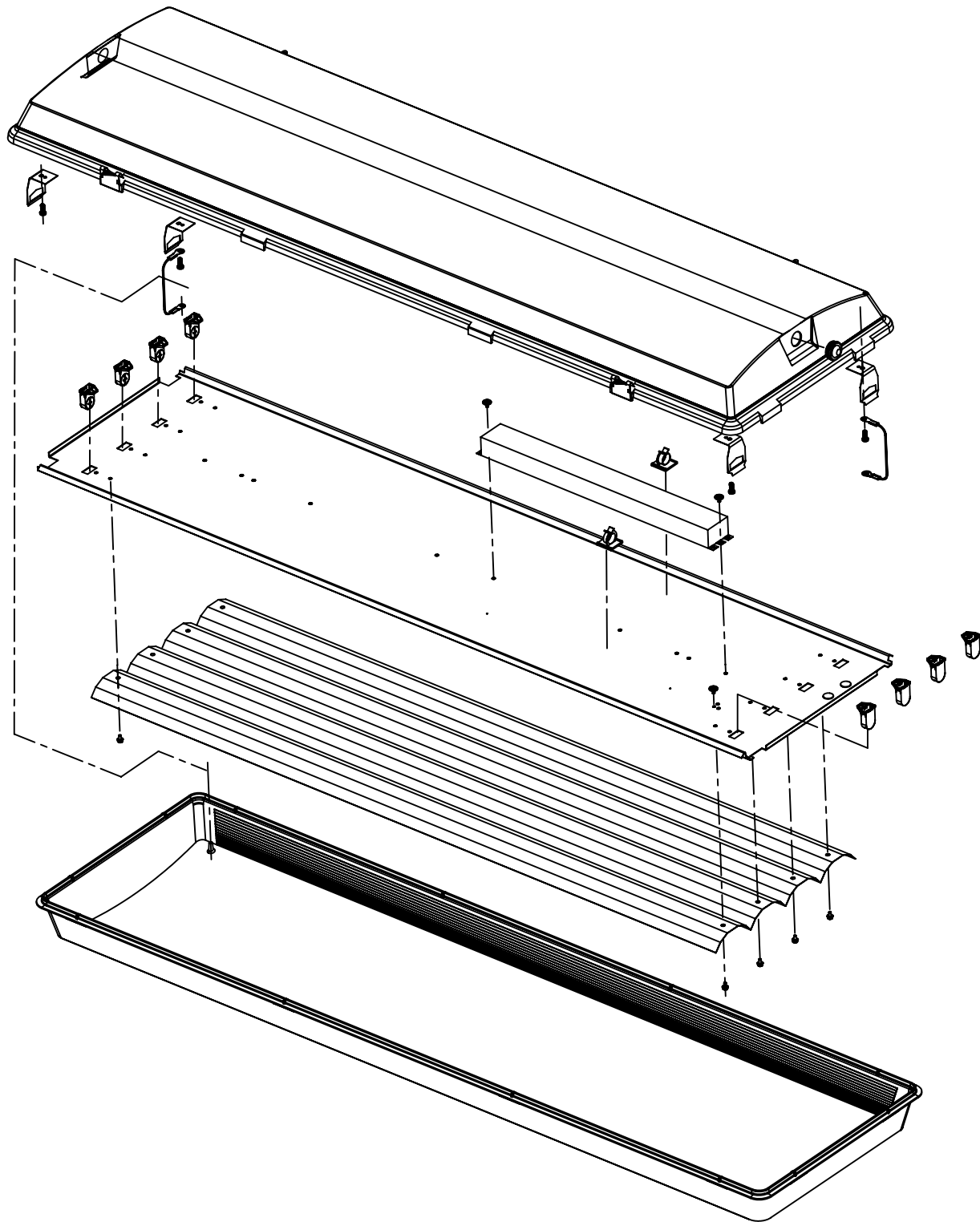
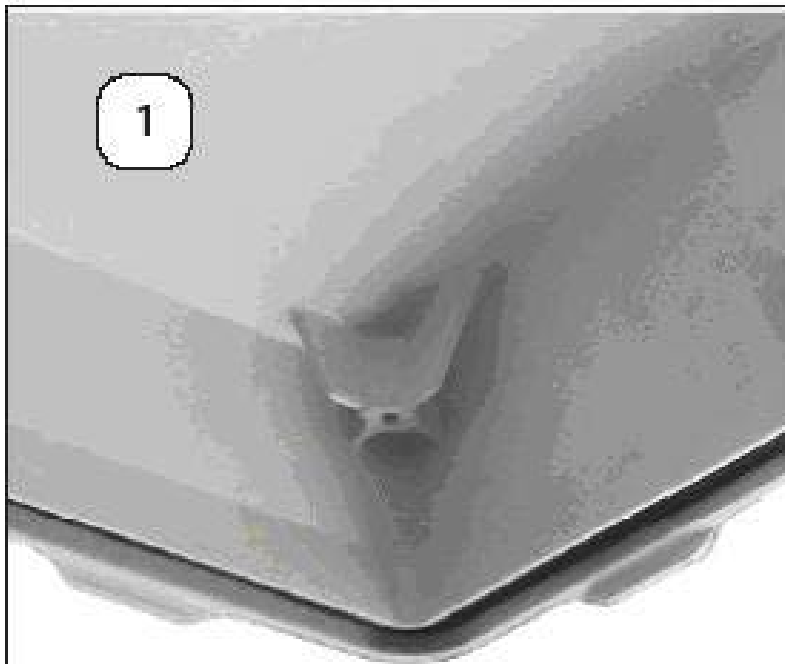


Figure 12

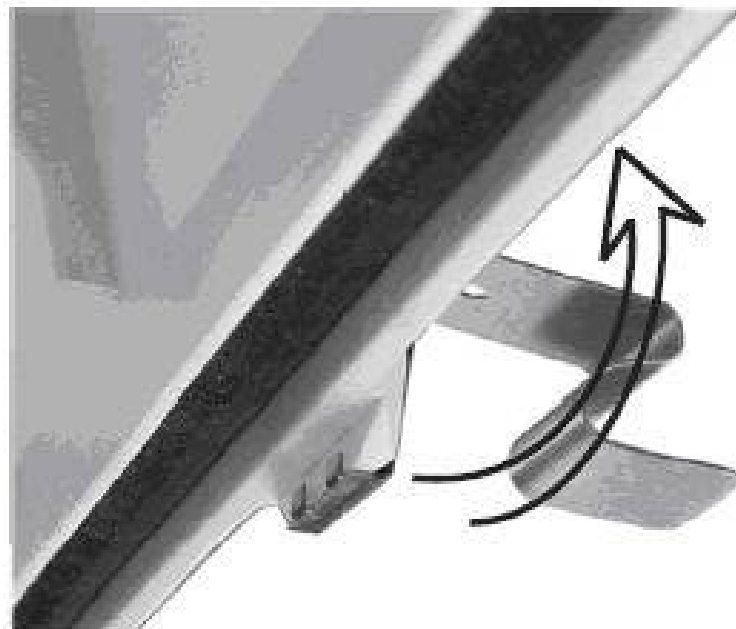
4. When closing the LED tray ensure the LED tray rotates freely in the LED tray latches and that the LED tray is not pinching/catching wires or lens latches. Once closed verify the LED tray latches are fully engaged.
5. If reflectors are provided with a protective film, remove the film prior to installation.
6. Reattach lens with the 12 latches. Ensure all latches are closed and lens is secured.



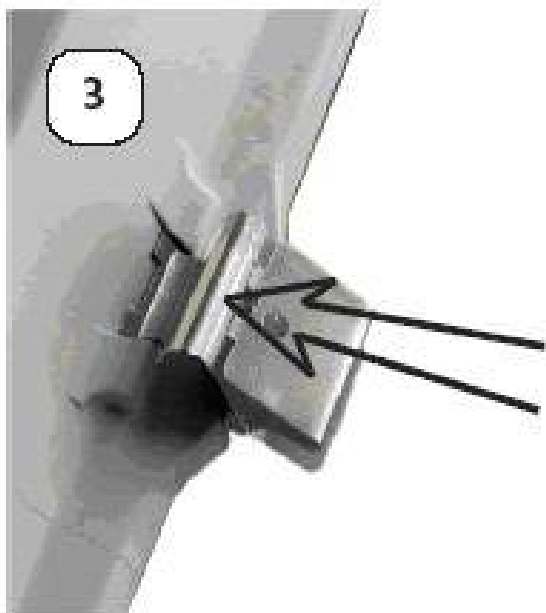
FHE EXPLODED ASSEMBLY



2

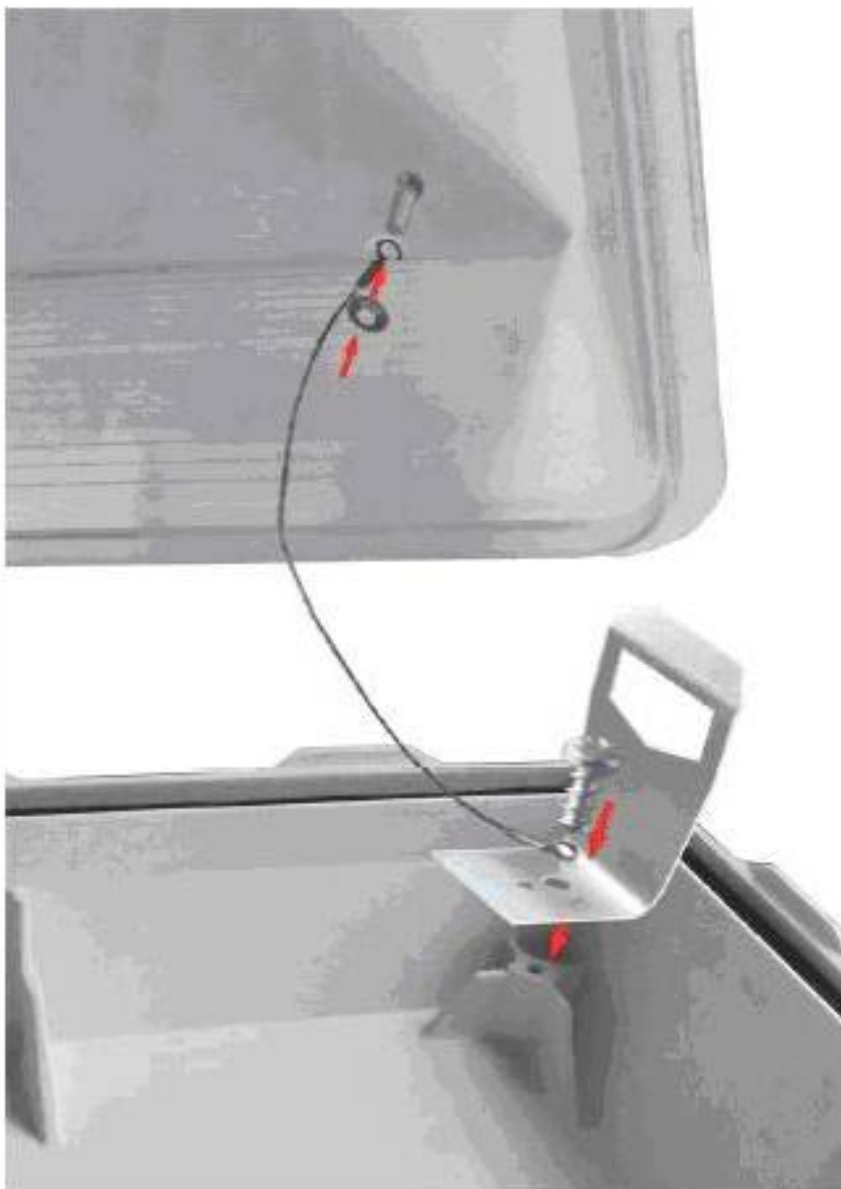


3



***FHE LATCH INSTALLATION***





Each fixture requires two Lens Tethers.

Do not exceed 35 in. lbs of torque. Excess torque will strip out the pilot hole in the fiberglass housing.

## ***FHE LENS TETHER INSTALLATION INSTRUCTIONS***