

**READ AND FOLLOW ALL SAFETY INSTRUCTIONS!
SAVE THESE INSTRUCTIONS AND DELIVER TO OWNER AFTER INSTALLATION**

- To reduce the risk of death, personal injury or property damage from fire, electric shock, falling parts, cuts/abrasions, and other hazards please read all warnings and instructions included with and on the fixture box and all fixture labels.
- Before installing, servicing, or performing routine maintenance upon this equipment, follow these general precautions.
- Installation and service of luminaires should be performed by a **qualified licensed electrician**.
- Maintenance of the luminaires should be performed by person(s) familiar with the luminaires' construction and operation and any hazards involved. Regular fixture maintenance programs are recommended.
- It will occasionally be necessary to clean the outside of the refractor/lens. Frequency of cleaning will depend on ambient dirt level and minimum light output which is acceptable to user. Refractor/lens should be washed in a solution of warm water and any mild, non-abrasive household detergent, rinsed with clean water and wiped dry. Should optical assembly become dirty on the inside, wipe refractor/lens and clean in above manner, replacing damaged gaskets as necessary.
- **DO NOT INSTALL DAMAGED PRODUCT!** This luminaire has been properly packed so that no parts should have been damaged during transit. Inspect to confirm. Any part damaged or broken during or after assembly should be replaced.
- Recycle: For information on how to recycle LED electronic products, please visit www.epa.gov.
- These instructions do not purport to cover all details or variations in equipment nor to provide every possible contingency to meet in connection with installation, operation, or maintenance. Should further information be desired or should particular problems arise which are not covered sufficiently for the purchaser's or owner's purposes, this matter should be referred to Acuity Brands Lighting, Inc.



**WARNING
RISK OF ELECTRIC SHOCK**

- ✓ Disconnect or turn off power before installation or servicing.
- ✓ Verify that supply voltage is correct by comparing it with the luminaire label information.
- ✓ Make all electrical and grounded connections in accordance with the National Electrical Code (NEC) and any applicable local code requirements.
- ✓ All wiring connections should be capped with UL approved recognized wire connectors.



**WARNING
RISK OF BURN**

- ✓ Allow lamp/fixture to cool before handling. Do not touch enclosure or light source.
- ✓ Do not exceed maximum wattage marked on luminaire label.
- ✓ Follow all manufacturer's warnings, recommendations and restrictions for: driver type, burning position, mounting locations/methods, replacement and recycling.



**CAUTION
RISK OF INJURY**

- ✓ Wear gloves and safety glasses at all times when removing luminaire from carton, installing, servicing or performing maintenance.
- ✓ Avoid direct eye exposure to the light source while it is on.



**CAUTION
RISK OF FIRE**

- ✓ Keep combustible and other materials that can burn, away from lamp/lens.
- ✓ Do not operate in close proximity to persons, combustible materials or substances affected by heat or drying.



CAUTION: RISK OF PRODUCT DAMAGE

- ✓ Never connect components under load.
- ✓ Do not mount or support these fixtures in a manner that can cut the outer jacket or damage wire insulation.
- ✓ Controls for dimming, auto-sensing, or remote control of a luminaire that are not factory-wired to the luminaire must be checked for compatibility with the luminaire prior to installation. LED fixtures must be powered directly off a switched circuit.
- ✓ Unless individual product specifications deem otherwise: Do not restrict fixture ventilation. Allow for some volume of airspace around fixture. Avoid covering LED fixtures with insulation, foam, or other material that will prevent convection or conduction cooling.
- ✓ Unless individual product specifications deem otherwise: Do not exceed fixtures maximum ambient temperature.
- ✓ Only use fixture in its intended location.
- ✓ LED products are Polarity Sensitive. Ensure proper Polarity before installation.
- ✓ Electrostatic Discharge (ESD): ESD can damage LED fixtures. Personal grounding equipment must be worn during all installation or servicing of the unit.
- ✓ Do not touch individual electrical components as this can cause ESD, shorten lamp life, or alter performance.
- ✓ Some components inside the fixture may not be serviceable. In the unlikely event your unit may require service, stop using the unit immediately and contact an ABL representative for assistance.
- ✓ Always read the fixtures complete installation instructions prior to installation for any additional fixture specific warnings.
- ✓ Always ensure that the electrical distribution system is up to NEC (and any applicable local code) requirements.
- ✓ Verify that power distribution system has proper grounding. Lack of proper earth ground can lead to fixture failure and may void warranty.

Failure to follow any of these instructions could void product warranties. For a complete listing of product Terms and Conditions, please visit www.acuitybrands.com.

Our Brands	Indoor/Outdoor Lithonia Lighting Carandini Holophane RELOC Light Concepts	Indoor Lighting Gotham Mark Architectural Lighting Peerless Renaissance Lighting Winona Lighting	Outdoor Lighting American Electric Lighting Antique Street Lamps Hydrel Tersen	Controls DARK TO LIGHT LC&D ROAM Sensor Switch Synergy	Daylighting SunOptics
-------------------	--	---	--	---	--------------------------

Acuity Brands Lighting, Inc. assumes no responsibility for claims arising out of improper or careless installation or handling of its products.

ABL LED General Warnings, Form No. 503.203

© 2010, 2016 Acuity Brands Lighting, Inc. All rights reserved. 12/01/10

THIS PRODUCT MUST BE INSTALLED IN ACCORDANCE WITH THE APPLICABLE INSTALLATION CODE BY A PERSON FAMILIAR WITH THE CONSTRUCTION AND OPERATION OF THE PRODUCT AND THE HAZARDS INVOLVED

CE PRODUIT DOIT ÊTRE INSTALLÉ SELON LE CODE D'INSTALLATION PERTINENT, PAR UNE PERSONNE QUI CONNAÎT BIEN LE PRODUIT ET SON FONCTIONNEMENT AINSI QUE LES RISQUES INHÉRENTS

Installation Instructions

****Caution: MAKE SURE LUMINAIRE IS MOUNTED TO A SECURE STRUCTURE. USE APPROPRIATE MOUNTING HARDWARE TO INSTALL FIXTURE RATED FOR YOUR APPLICATION. FAILURE TO MOUNT FIXTURE CORRECTLY COULD RESULT IN SERIOUS INJURY.**

ABOVE CEILING ACCESS REQUIRED

KEEP THESE INSTALLATION INSTRUCTIONS / CONSERVEZ CES INSTRUCTIONS D'INSTALLATION

If recess mounting:

1. Place the fixture in the appropriate T-Bar ceiling structure.
2. From above ceiling, bend the attached T-Bar clips over the T-Bar ceiling on all 4 corners to secure the fixture to the T-Bar ceiling as shown in Figure 1. For suspension mounting, refer to Figure 2, and instructions provided with aircraft cable accessory.
 - a. Refrain from bending the t-bar clips multiple times prior to installation to prevent damage.
3. Using a screwdriver (not supplied), remove access plate as shown in Figures 3 & 4, with grid power OFF make electrical connections from supply and properly ground as local codes dictate (refer to Figure 5).
 - a. Green wire – Ground
 - b. White wire – Neutral line in
 - c. Black wire – Hot line in
4. If the dimming leads purple and pink (or gray) aren't being used, cap them off (if not already done). Dimming leads are for low voltage dimming only.
 - a. Purple wire – 0-10V (+) (can be capped off if not in use)
 - b. Pink (or Gray) wire – 0-10V (-) (can be capped off if not in use)
5. Reinstall access plate with screwdriver.

If surface box mounting, refer to instruction sheets included with accessory.

In the event of needing to add an emergency battery in the field, refer to the below instructions. Kit numbers can be found in the accessories section of the spec sheet.

1. Remove the two screws holding the driver cover onto the power plate and slide the driver cover off away from the lance features on the opposite side shown in Figure 7 and 8.
2. Fasten the extension power plate with 3 fasteners into the backplate/recessed housing mating stand offs seen in Figure 9.
3. Attach the emergency battery to the extension power plate by hooking one side of the battery flange into the crow's foot shown in Figure 10 and fasten on the opposite side into the mating hole shown in Figure 11.
4. Make all the correct electrical connections for the battery shown in Figure 12 & 13.
5. Slide new large driver cover onto power plate and fasten into place with 2 screws shown in Figure 14.
6. Make remaining electrical connections in accordance with local and state code with the grid power off.
7. Reinstall the access plate and fasten screw in place like shown in Figure 3.
8. Test switch/pilot light must be mounted in an adjacent ceiling tile. It cannot be mounted to the fixture.

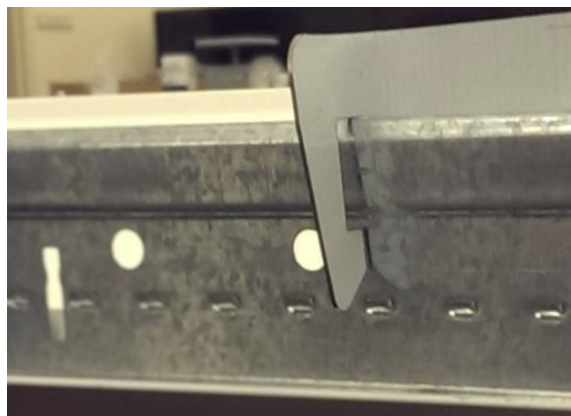


Figure 1: Attached T-Bar Clip

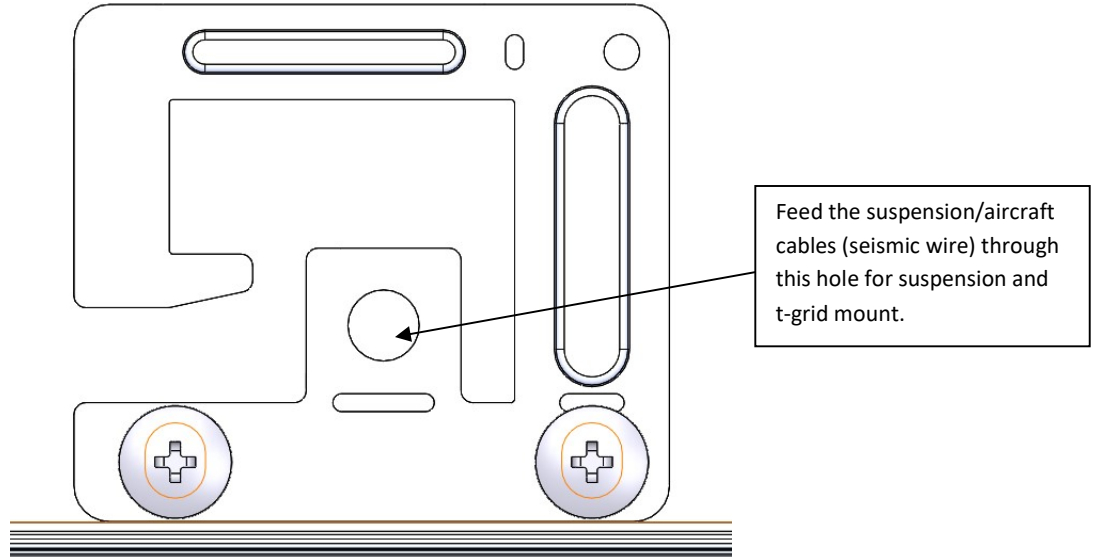


Figure 2: Suspension Mount location

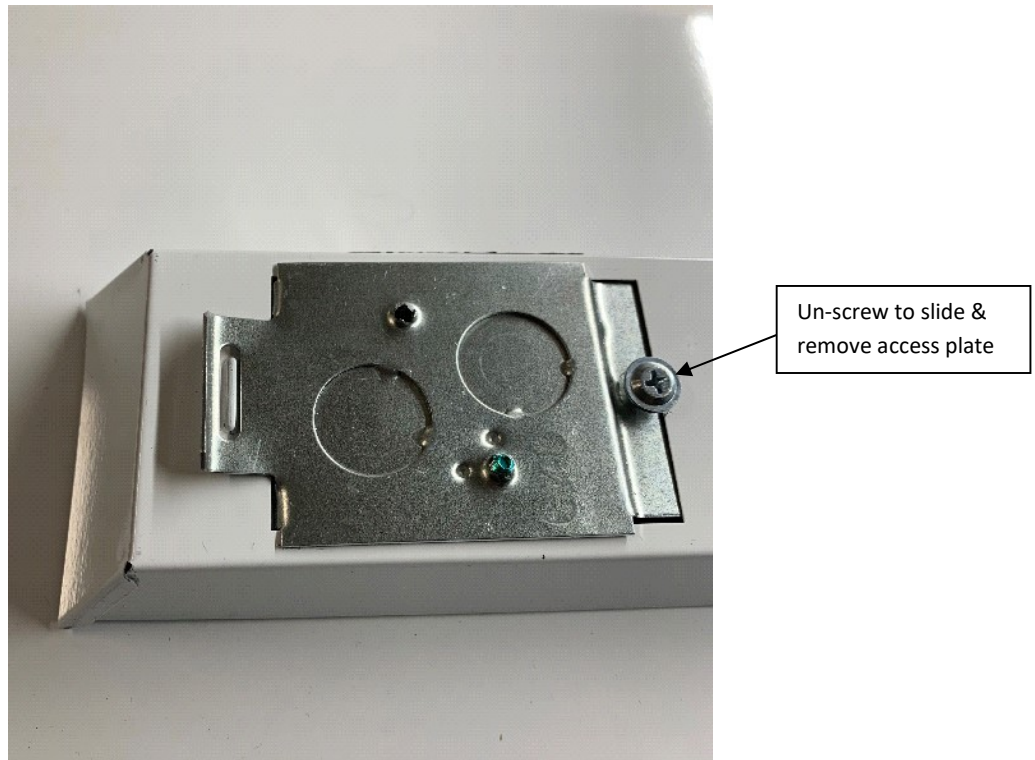


Figure 3: Remove Access Plate

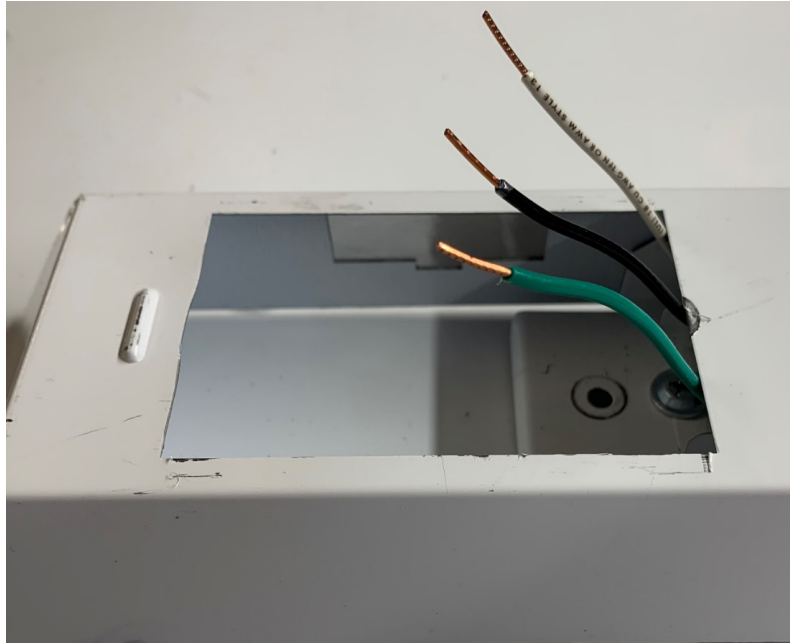


Figure 4: Access Plate removed

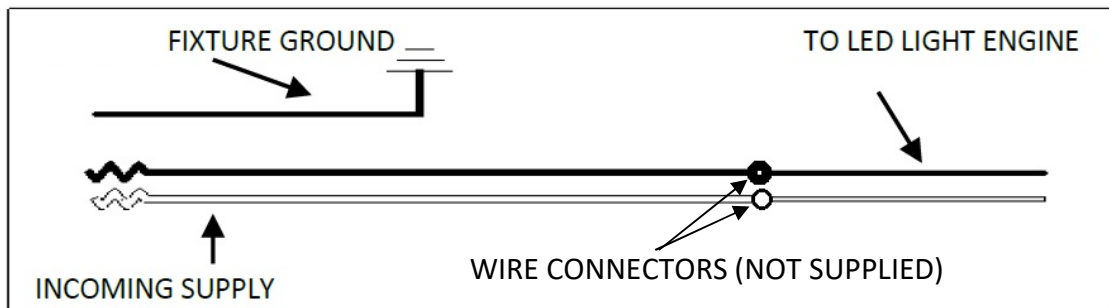


Figure 5: WIRING DIAGRAM

Note: For 208V & 240V, connect one hot lead to Black and the other hot lead to white. (figure 5)

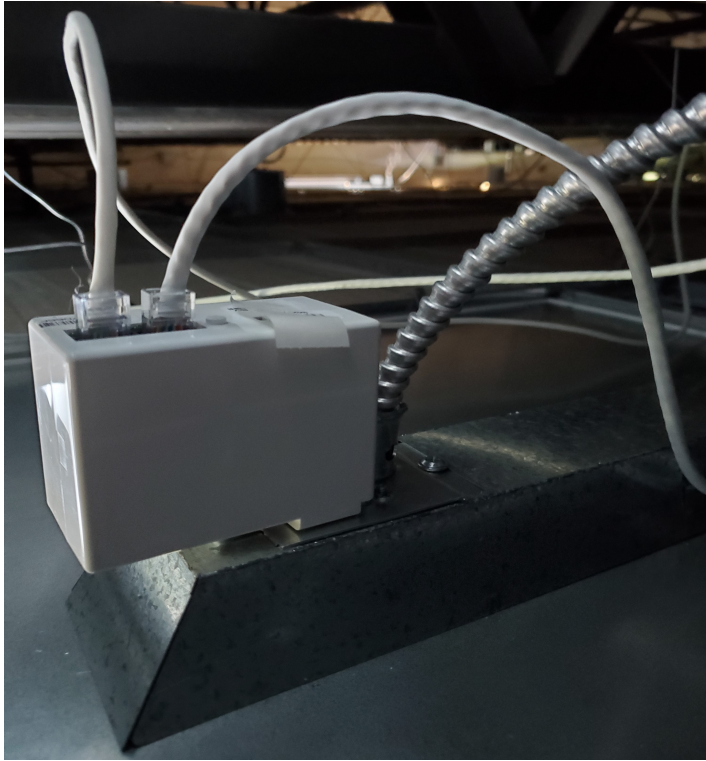


Figure 6: NPP16D Install

Note: As shown in Figure 6, NPP16D mounts directly on one of the holes in the access plate.

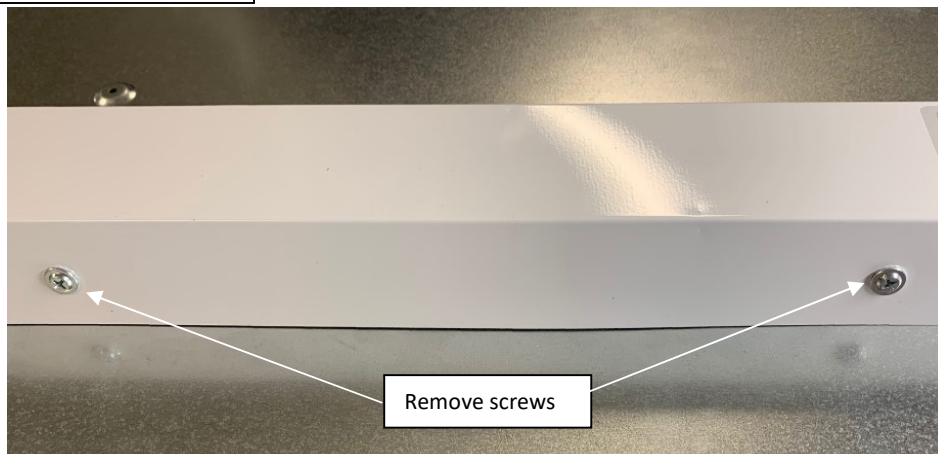


Figure 7: Remove Driver cover screws

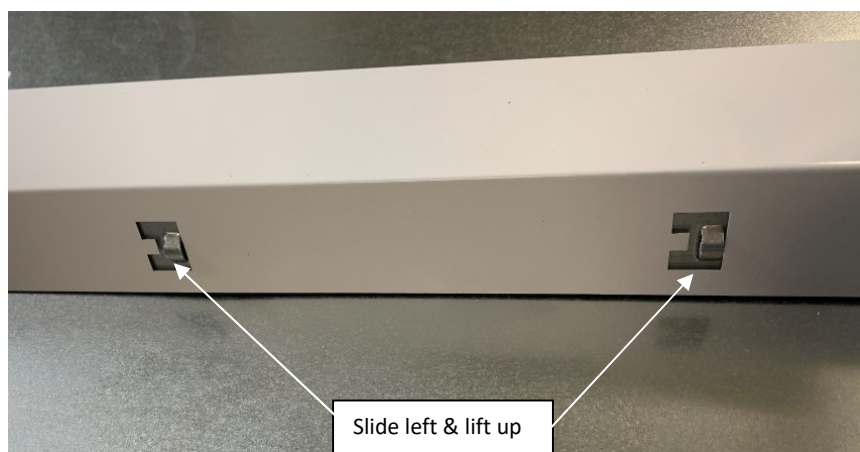


Figure 8: Slide & de-couple Driver cover tabs

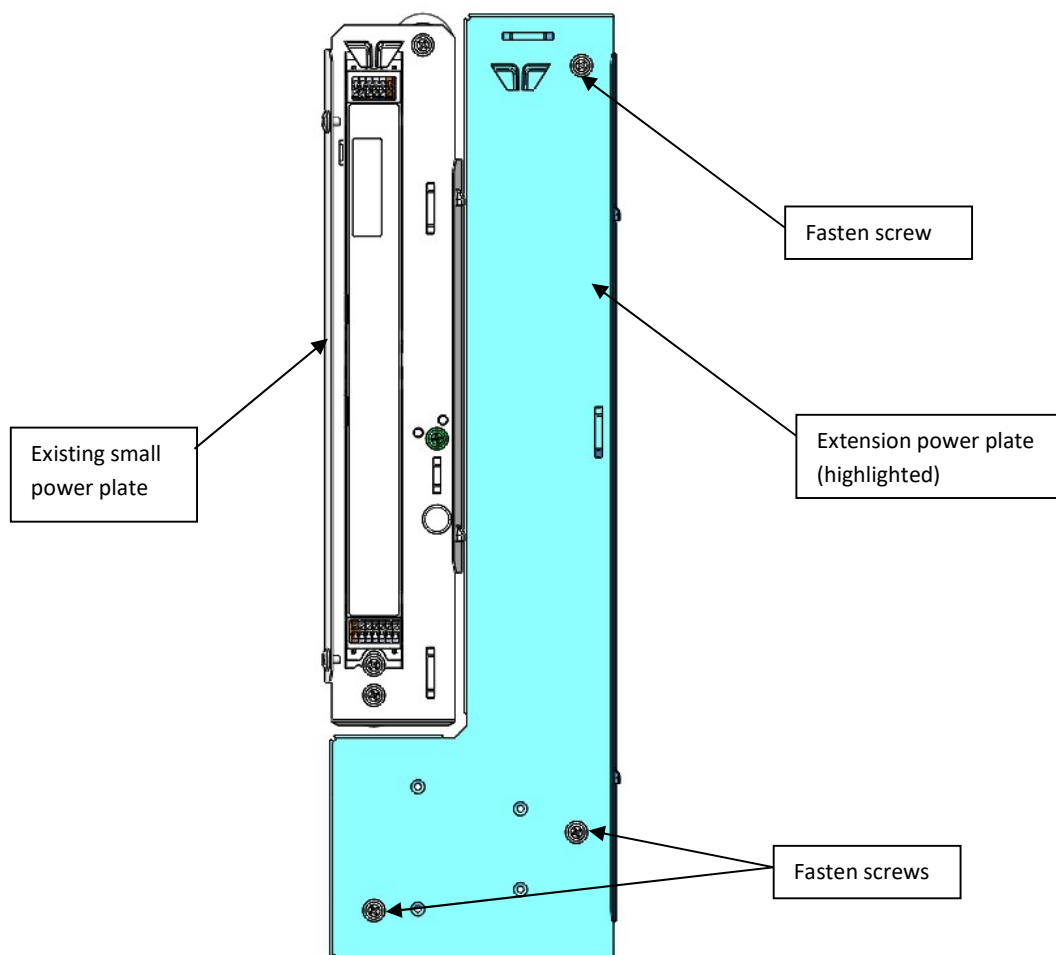


Figure 9: Fasten the extension power plate

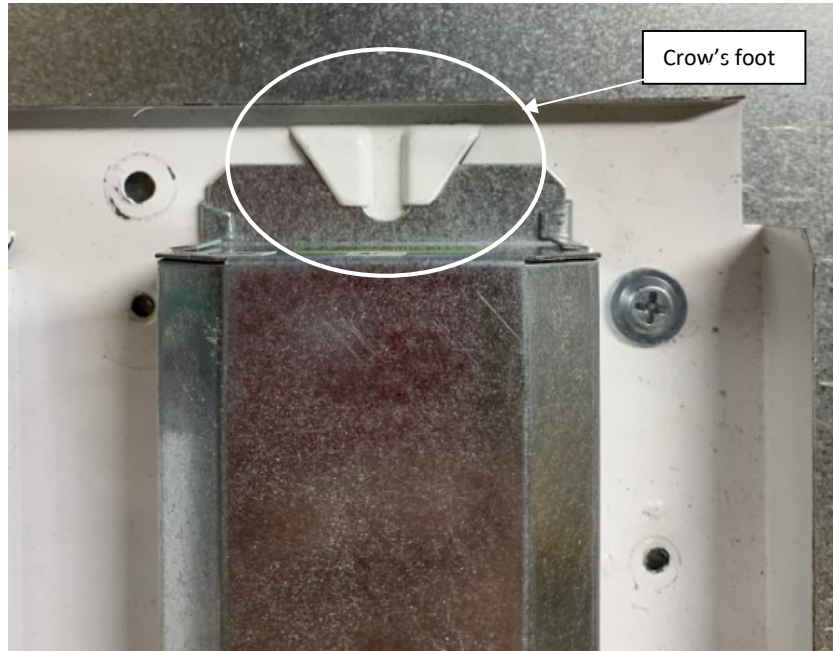


Figure 10: Attach one end of battery into crow's foot

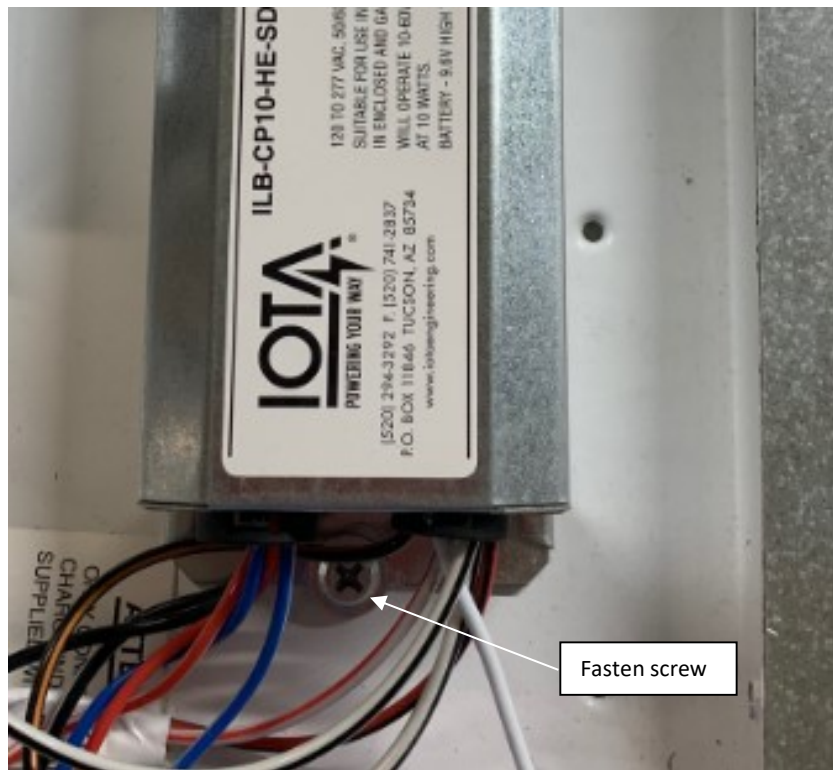


Figure 11: Fasten the opposite end into the mating hole

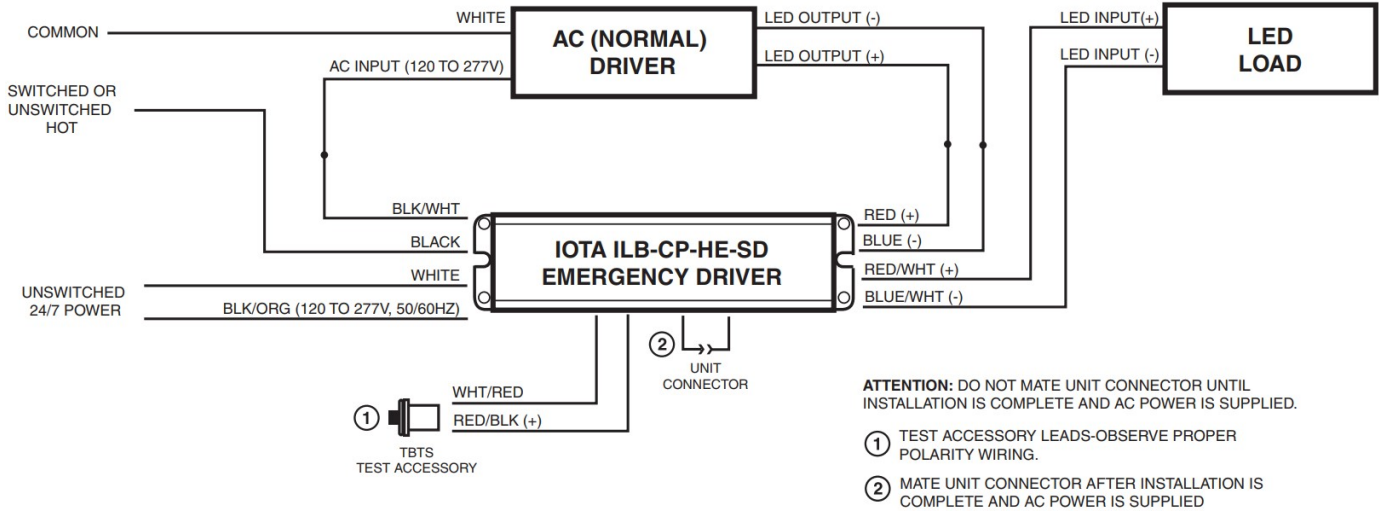


Figure 12: Iota Wiring Diagram

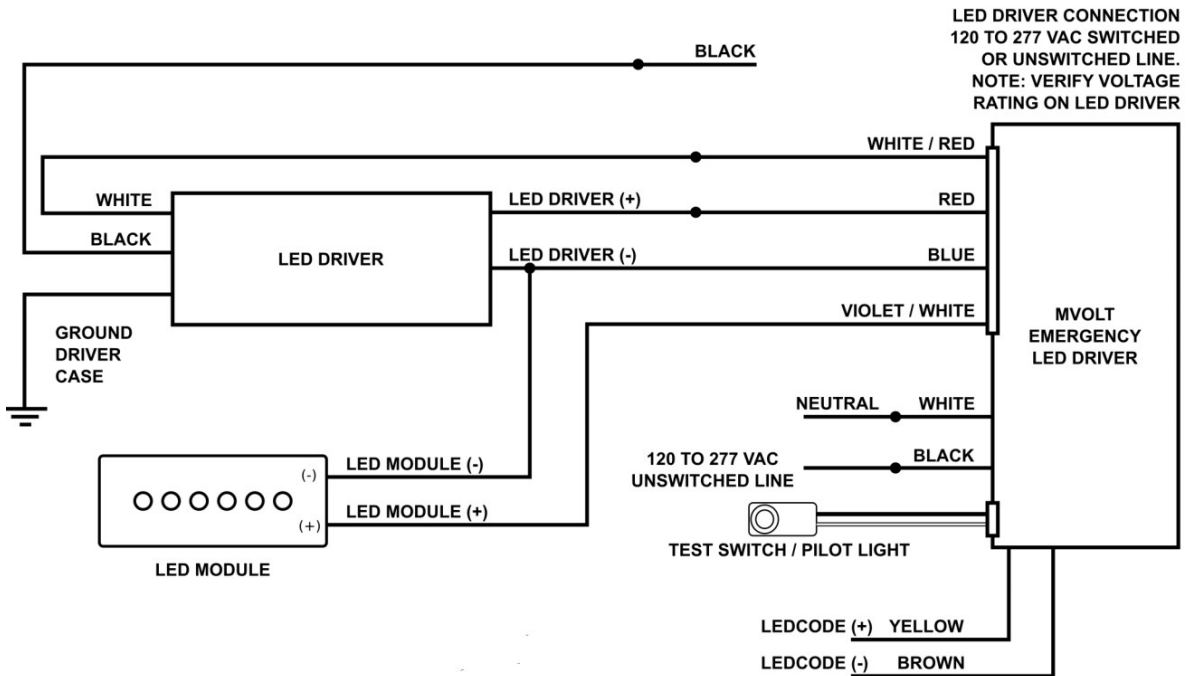


Figure 13: PS1055LCP Wiring Diagram



Figure 14: Fasten into place with 2 screws after sliding it in place

RES7 Installation:

1. Remove the RES7 sensor optic from the RES7 plastic housing on the back side of the fixture (see Figure 15).
2. Remove the label on the diffuser that protected the sensor during shipping (see Figure 16).
3. Align the RES7 sensor optic with sensor (show in Figure 17) by aligning the key on the sensor optic to the mating hole on the sensor.
4. For ease of installation, place one hand on the backside of the RES7 plastic housing when pressing the cap into place to prevent the optical components from deflecting and allowing cap to fully snap into place
5. If the RES7 sensor isn't aligned or concentric with the optical components, you can loosen the 2 screws holding the RES7 plastic housing and adjust the position of the sensor/housing to correct alignment.
6. Refer to Figure 18 for what a fully seated RES7 optic looks like. Note: there should not be any kind of gap and the cap should sit fully flush with the diffuser.

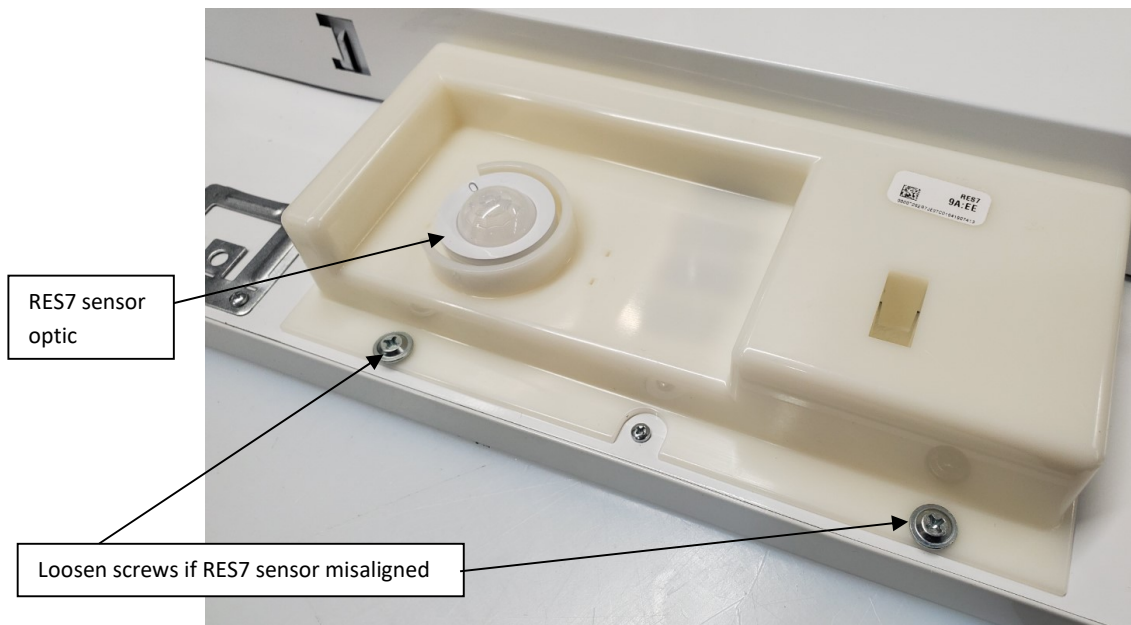


Figure 15: RES7 sensor during shipping



Figure 16: Remove label before RES7 installation

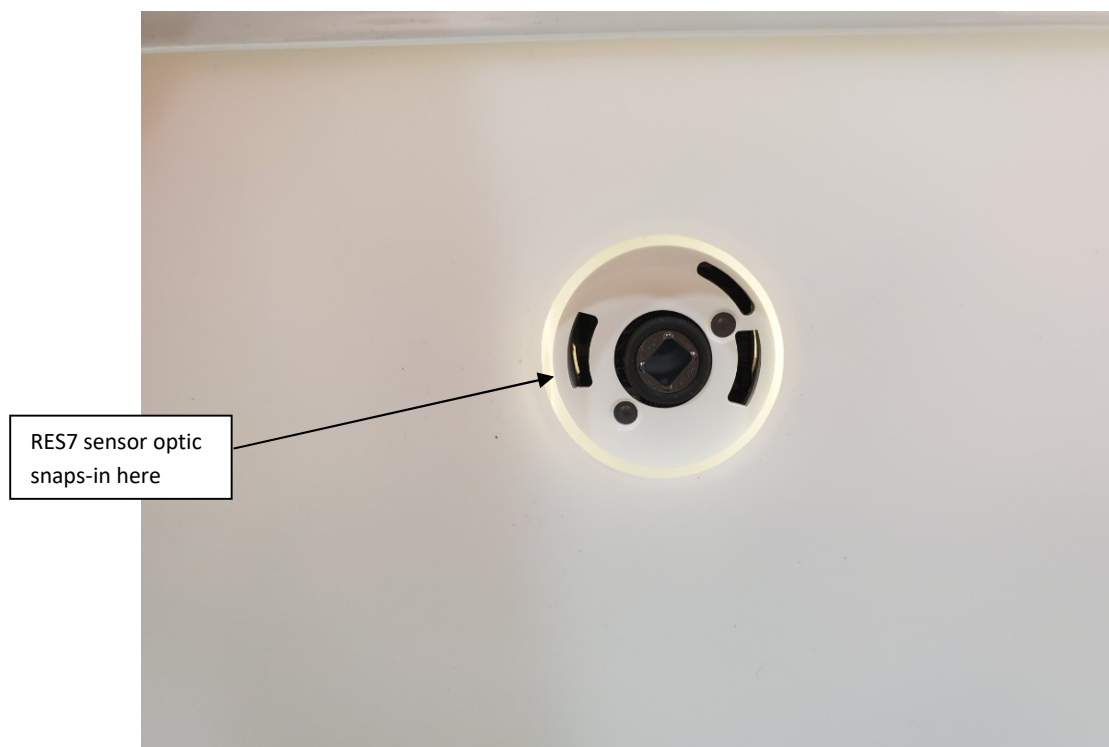


Figure 17: Snap-in RES7 sensor optic in the guide holes above



Figure 17: RES7 sensor optic snapped in place

SAVE THESE INSTRUCTIONS

For any questions, please contact 1-800-705-7378.

Contractor Resources

Check out helpful programs, tools, installation videos and more!





**Importado por:
Holophane, S.A. de C.V.**

Av, La Silla #7711
Parque Industrial La Silla
Guadalupe, N.L. C.P. 67193
Tel: 52-81-8318-0460

LUMINARIOS

Marcas: Lithonia Lighting

PRECAUCION: Por su seguridad y el funcionamiento adecuado del luminario, **lea cuidadosamente las siguientes instrucciones antes de empezar la instalación.**

Este instructivo aplica a todos los luminarios de Lithonia Lighting para uso interior y/o exterior. El número de catálogo específico, y sus características eléctricas, se encuentran en la etiqueta del producto.

1. Desconecte la alimentación eléctrica de la caja de fusibles antes de instalar el luminario.
2. Abra el luminario para tener acceso a los cables de conexión.
3. Monte el luminario en la ubicación deseada, y asegúrela utilizando dispositivos mecánicos adecuados.
4. Utilizando capuchones aislantes, conecte los cables del luminario. Si el luminario tiene un cable blanco y uno negro, conecte el blanco al neutro del circuito de alimentación y el negro a la "línea", aterrice el luminario. En el caso de equipos con mas cables de conexión, identifique el adecuado a la línea de alimentación (todas vienen marcadas con etiquetas) y conéctela a la "línea" de la alimentación, conecte la punta marcada con "com" al neutro de la alimentación. Asegúrese de aislar perfectamente los cables que no utilizo.
5. En los casos en que aplique, reinstale la cubierta del balastro o controlador.
6. Reestablezca la alimentación eléctrica en la caja de fusibles y verifique la operación del luminario.

GUARDE ESTAS INSTRUCCIONES