

| |
|----------------|
| Catalog Number |
| Notes |
| Type |

FEATURES & SPECIFICATIONS

INTENDED USE — The CPANL™ Series LED switchable lumen flat panel features an internal driver and deep drawn backplate. This reliable and rigid flat panel is visually comfortable and can be recessed, direct ceiling mounted, suspended or surface box mounted. Suitable for many applications such as schools, offices, retail, convenience stores, hospitals, healthcare facilities and other commercial spaces. **Certain airborne contaminants can diminish the integrity of acrylic and/or polycarbonate.** [Click here for Acrylic-Polycarbonate Compatibility table for suitable uses.](#)

CONSTRUCTION — Built to last with an aluminum frame for strength and durability, the seamless frame prevents light leak in the corners. The satin white lens provides excellent shielding and fully luminous appearance. CPANL's low-profile design provides increased installation flexibility especially in restricted plenum spaces. The back plate includes integral T-bar clips for installation into 9/16" or 15/16" T-grid ceilings. Fixture may be direct ceiling mounted with the DCMK bracket on a hard-ceiling see accessories section for more information. Fixture may be mounted and wired in continuous rows.

ELECTRICAL — Long-life LEDs, coupled with a high-efficiency driver, provide superior illumination for extended service life. 70% LED lumen maintenance at 60,000 hours (L70/60,000). 0-10V dimming driver, dims to 10% and contains non-isolated dimming leads. Switch set to max high lumen output at the factory. For optimal 0-10V dimming performance it is recommended that the luminaire remains at factory default high lumen setting.

LISTINGS — CSA certified to meet US and Canadian standards. Intended for indoor use only. Product is not to be stored in non-climate controlled spaces. Damp location listed. IC rated. IP5X Rated.

DesignLights Consortium® (DLC) qualified product. Not all versions of this product may be DLC qualified. Please check the DLC Qualified Products List at www.designlights.org/QPL to confirm which versions are qualified.

Rated for NSF/ANSI Standard 2 - Light Fixture for Splash Zone and Non Food Zone.

WARRANTY — 5-year limited warranty. Complete warranty terms located at: www.acuitybrands.com/support/warranty/terms-and-conditions

Note: Actual performance may differ as a result of end-user environment and application. All values are design or typical values, measured under laboratory conditions at 25 °C. Specifications subject to change without notice.

CPANL LED

Lumen Switchable Panel

1' x 4', 2' x 2' and 2' x 4'



ORDERING INFORMATION

| Catalog Number | UPC | Description | Nominal Lumens | Color Temperature | CRI | Voltage | Nominal Wattage | Pallet QTY |
|------------------------|----------------|---------------------------------|------------------------|--------------------|-----|-----------------|------------------|------------|
| CPANL 1X4 AL01 SWW7 M4 | 00194995124930 | 1x4 Fully Switchable Flat Panel | 2400/3300/ 4400 | 35/ 40 /50K | >80 | MVOLT (120-277) | 22/31/ 41 | 56 |
| CPANL 2X2 AL01 SWW7 M4 | 00194995124923 | 2x2 Fully Switchable Flat Panel | 2400/3300/ 4400 | 35/ 40 /50K | >80 | MVOLT (120-277) | 22/31/ 41 | 56 |
| CPANL 2X4 AL06 SWW7 M2 | 00194995124916 | 2x4 Fully Switchable Flat Panel | 4000/5000/ 6000 | 35/ 40 /50K | >80 | MVOLT (120-277) | 36/45/ 55 | 28 |

View Contractor Select versions, [Click here](#) or visit www.acuitybrands.com and search for CPANL

* Bolded lumen package designates default switch setting.

ACCESSORIES

| Accessories: Order as separate catalog number. | |
|--|---|
| ILBLP CP10 HE SD A | IOTA emergency constant power battery pack field installation kit (Certified in CA Title 20 MAEDBS) ¹ |
| ELA PSDMT | External mounting tray to secure emergency battery to building structure, not required, battery can be mounted to fixture |
| DCMK 14 | Direct Ceiling Mount Kit for CPANL 1x4 |
| DCMK 224 | Direct Ceiling Mount Kit for CPANL 2x4 and 2x2 |
| 1X4SMKSH | Surface Mount Kit 1'x4', Shallow Depth |
| 2X2SMKSH | Surface Mount Kit 2'x2', Shallow Depth |
| 2X4SMKSH | Surface Mount Kit 2'x4', Shallow Depth |
| DGA14 | Drywall grid adapter for 1x4 recessed fixture. |
| DGA22 | Drywall grid adapter for 2x2 recessed fixture. |
| DGA24 | Drywall grid adapter for 2x4 recessed fixture. |
| PAC 2DNF 36 | Panel Air Craft Kit, 2 cables with Y splitter, No Power Feed, 36 inches ² |
| PAC 2DF 36 | Panel Air Craft Kit, 2 cables with Y splitter, with Power Feed, 36 inches ² |
| PAC 2DNF 72 | Panel Air Craft Kit, 2 cables with Y splitter, No Power Feed, 72 inches ² |
| PAC 2DF 72 | Panel Air Craft Kit, 2 cables with Y splitter, with Power Feed, 72 inches ² |
| PAC 4DNF 36 | Panel Air Craft Kit, 4 cables, No Power Feed, 36 inches ² |
| PAC 4DF 36 | Panel Air Craft Kit, 4 cables, with Power Feed, 36 inches ² |
| PAC 4DNF 72 | Panel Air Craft Kit, 4 cables, No Power Feed, 72 inches ² |
| PAC 4DF 72 | Panel Air Craft Kit, 4 cables, with Power Feed, 72 inches ² |

Emergency Battery Delivered Lumens

Use the formula below to determine the delivered lumens in emergency mode

$$\text{Delivered Lumens} = 1.25 \times P \times \text{LPW}$$

P = Output power of emergency driver (10W for PS1055)

LPW = Lumen per watt rating of the luminaire.

NOTES

- See Power Sentry [PS1055CP battery spec sheet here](#). Test switch must be remote mounted or installed in an adjacent ceiling tile.
- See Suspension Kits section below for additional detail.

| Switchable Table | | | | | | |
|------------------|------------------------|---------------|--------------|-------------|-------------|------------|
| Size | Nomenclature | Lumen Setting | CCT | Lumen | Wattage | Efficacy |
| 1x4 | CPANL 1X4 ALO1 SWW7 M4 | Low Lumen | 3500K | 2645 | 21.6 | 122 |
| | | | 4000K | 2712 | 20.9 | 130 |
| | | | 5000K | 2637 | 21.4 | 123 |
| | | Medium Lumen | 3500K | 3599 | 30.7 | 117 |
| | | | 4000K | 3754 | 29.4 | 128 |
| | | | 5000K | 3595 | 30.4 | 118 |
| | | High Lumen | 3500K | 4597 | 40.5 | 114 |
| | | | 4000K | 4881 | 38.7 | 126 |
| | | | 5000K | 4596 | 40.1 | 115 |
| 2x2 | CPANL 2X2 ALO1 SWW7 M4 | Low Lumen | 3500K | 2617 | 21.6 | 121 |
| | | | 4000K | 2750 | 20.9 | 132 |
| | | | 5000K | 2766 | 21.5 | 129 |
| | | Medium Lumen | 3500K | 3778 | 30.6 | 123 |
| | | | 4000K | 3930 | 29.4 | 134 |
| | | | 5000K | 3755 | 30.5 | 123 |
| | | High Lumen | 3500K | 4741 | 40.5 | 117 |
| | | | 4000K | 5031 | 38.8 | 130 |
| | | | 5000K | 4717 | 40.4 | 117 |
| 2x4 | CPANL 2X4 ALO6 SWW7 M2 | Low Lumen | 3500K | 4363 | 35.7 | 122 |
| | | | 4000K | 4450 | 34.4 | 129 |
| | | | 5000K | 4358 | 35.4 | 123 |
| | | Medium Lumen | 3500K | 5354 | 45.1 | 119 |
| | | | 4000K | 5509 | 43.3 | 127 |
| | | | 5000K | 5351 | 44.8 | 119 |
| | | High Lumen | 3500K | 6343 | 55.1 | 115 |
| | | | 4000K | 6579 | 52.7 | 125 |
| | | | 5000K | 6353 | 54.7 | 116 |

* Bolded lumen, color temperature and wattage designates default switch setting.

Emergency Battery Pack Options - Field Installable

| Battery Model Number | Wattage | Runtime (Minutes) | Lumen Output* @ 120 Lumens/Watt | Other |
|------------------------------------|---------|-------------------|---------------------------------|-------------------------------|
| ILB CP07 2H A | 7W | 120 | 840 | Storm Shelter/ 2-hour Runtime |
| ILB CP10 A | 10W | 90 | 1200 | |
| ILBLP CP10 HE SD A | 10W | 90 | 1200 | Title 20, Self Diagnostic |
| ILBLP CP15 HE SD A | 15W | 90 | 1800 | Title 20, Self Diagnostic |
| ILB CP20 HE A | 20W | 90 | 2400 | Title 20 |
| ILB CP20 HE SD A | 20W | 90 | 2400 | Title 20, Self Diagnostic |

All the above are UL 924 Listed products that are certified for field install external/remote to the fixture.

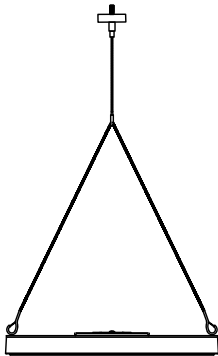
*Minimum delivered lumen output to assist in product selection for increased fixture mounting height.

Delivered emergency illumination of CP10 models outperforms legacy 1400 lumen fluorescent emergency ballasts.

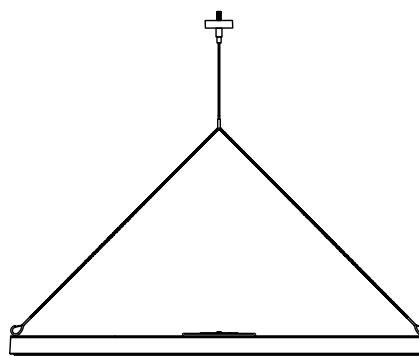
Please contact us at productsupportemergency@acuitybrands.com for any Emergency Battery related questions.

Suspension Kits

2 drops (1x4)



2 drops (2x2)



4 drops (2x4)



CPANL LED Flat Panel

CPANL compatible with Sensor Switch™
[WSX-D](#) and [SPOD](#) wall switches.



WSX-D



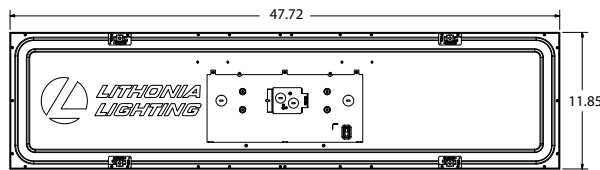
SPOD

PHOTOMETRICS

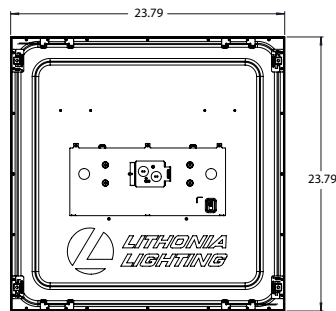
See www.lithonia.com for photometry reports.

DIMENSIONS

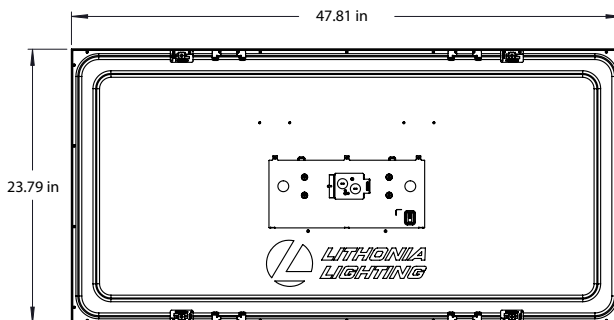
Length: 47.8 (121.4)
Width: 11.85 (30.09)
Depth: 1.26 (3.2)
Weight:
Unit: 9.50lbs
Unit Carton: 10.45lbs
Master Carton: 39.7lbs



Length: 23.79 (60.4)
Width: 23.79 (60.4)
Depth: 1.26 (3.2)
Weight:
Unit: 9.45lbs
Unit Carton: 10.45lbs
Master Carton: 39.5lbs

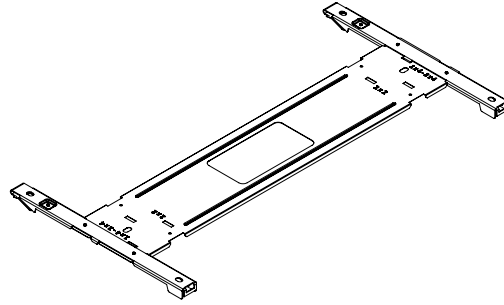
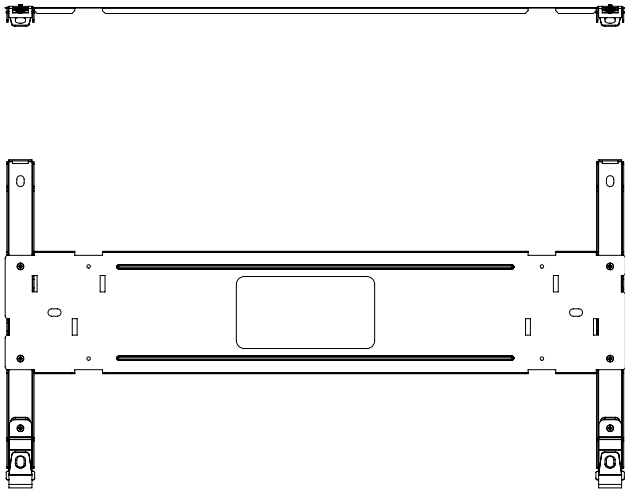


Length: 47.8 (121.4)
Width: 23.79 (60.4)
Depth: 1.26 (3.2)
Weight:
Unit: 17.05lbs
Unit Carton: 19.05lbs
Master Carton: 36.55lbs



DCMK - DIRECT CEILING MOUNT KITS (Sold as a separate accessory, see accessories section on page 1)

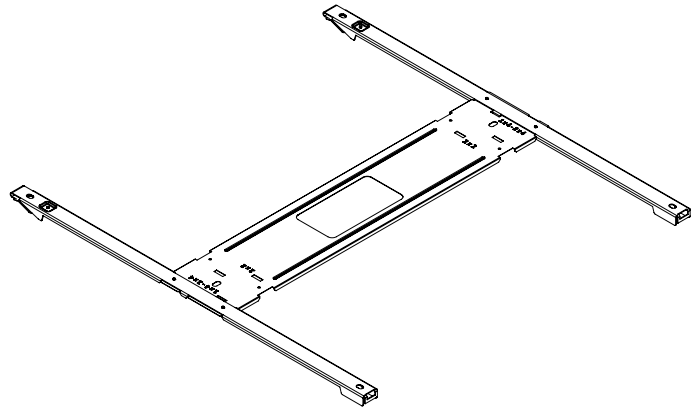
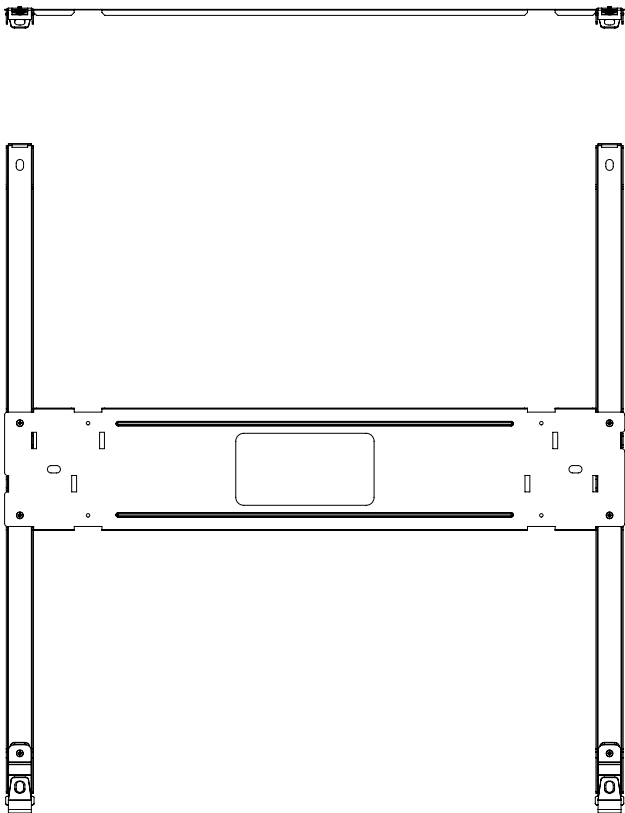
DCMK 14



Specification DCMK 14

| | |
|----------------|---------------|
| Length | 11-3/8 (29) |
| Width | 21-1/2 (54.4) |
| Height | 11/16 (1.8) |
| Bracket Weight | 1.0 lbs |

DCMK 224



Specification DCMK 224

| | |
|----------------|---------------|
| Length | 23-14 (59) |
| Width | 21-1/2 (54.4) |
| Height | 11/16 (1.8) |
| Bracket Weight | 1.4 lbs |