

KL10/12 - Path or Spread Lights Installation Instructions

INSTRUCTIONS PERTAINING TO A RISK OF FIRE OR INJURY TO PERSONS IMPORTANT SAFETY INSTRUCTIONS!

WARNING - To reduce the risk of FIRE OR INJURY TO PERSONS: Do not overdrive fixtures with greater than 12 volts or fixture over-heating and short lamp life will occur. Do not overload the transformer by installing (or relamping) higher wattage lamps than planned. Note: Total wattage of all lamps connected to one transformer must not exceed the capacity of that transformer. Do not install luminaire within 10 feet (3.04 m) of a pool, spa or fountain.

SAFETY WARNING: When relamping, be sure electrical supply is OFF. Low voltage fixtures can become very hot depending on the lamp wattage used. Lighted lamp is HOT! Glass lenses and metal areas above & around the lamp can become hot enough to blister hands. DO NOT touch the lamp at any time. Use discretion when touching fixture and be sure to allow fixture to cool before relamping. Particular care should be taken not to locate fixtures where small children can reach them if higher wattages are used. NOT INTENDED FOR INDOOR USE.

MAINTENANCE: When relamping fixture avoid touching the lamp envelope with bare hands. Lamp gets HOT quickly. If touching the lamp is necessary during installation, clean the envelope with alcohol and dry with a clean, soft cloth before turning ON. Contamination of the envelope may reduce lamp performance. To maintain light efficiency and prevent fixture-overheating, glass lenses and enclosure must be kept clean and free of dirt, dust, leaves, trash (combustible materials) and mineral deposits from water. NOTE: Keep the lamp free from impact while burning, as this may deform the filament and shorten the lamp life.

NOTE: All wiring should be done by a qualified electrician. KEEP THIS SHEET FOR FUTURE REFERENCE.

Kim KL10 (Verde Finish) & KL12 (Raw Finish) are supplied with 1/2" NPT male mounting threads.

Tools Required: □ 7/8" Open End Wrench or Adjustable Wrench

Installation Instructions: ⚠ Make certain the electrical supply is OFF before starting fixture installation.

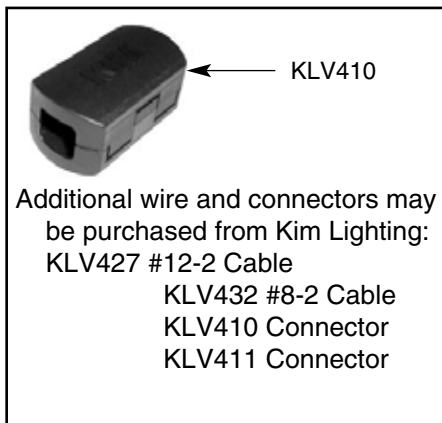


1. Attach fixture to desired mounting (see Kim KLV Mounting Options Installation Instructions). Install in desired location.



2. Install lamp of type and wattage shown on fixture label and chart below. **Do Not** overload the transformer by installing (or re-lamping) higher wattage lamps than planned.

Remember, the total wattage of all lamps connected to one transformer must not exceed the capacity of that transformer.



Additional wire and connectors may be purchased from Kim Lighting:
KLV427 #12-2 Cable
KLV432 #8-2 Cable
KLV410 Connector
KLV411 Connector

3. Connect fixture cable to main system cable using a KLV410 Sealed Connector (P/N 95484) or KLV411 Sealed Branch Connector (P/N 95509).

LAMP INFORMATION
To Relamp turn off/unplug and allow to cool before replacing lamp. Replace per chart below. Lamp gets hot quickly. Contact only switch or plug when turning on.

LAMP INFORMATION		
CAT. NO.	LAMP TYPE	MAX. WATT.
KL10	A-19	50
KL12	12 Volt	

Path or Spread Lights - KLV10/12 Installation Instructions

KIM LIGHTING LIMITED WARRANTY

When installed in accordance with Kim Installation Instructions and accepted trade practices, the following shall apply:

General Product Limited Warranty Coverage

All material and component parts used in the manufacture of Kim Products, are warranted to be free from defects of material and/or workmanship for a period of 1 year from date of sale, with the following exceptions:

Auxiliary Equipment

All auxiliary equipment (such as lamps, ballasts, and transformers) provided by and/or included in Kim Products shall carry the component manufacturer's warranty.

Copper and Bronze Landscape Components

Copper and Bronze Landscape fixture components shall be warranted against defects of material and/or workmanship, and failure due to corrosion, for a period of 25 years from date of sale.

Composite In-Grade Components

Composite In-Grade fixture components installed below grade, shall be warranted against defects of material and/or workmanship, and failure due to corrosion, for a period of 7 years from date of sale.

Aluminum Landscape Components

Aluminum Landscape fixture components not in direct contact with soil, shall be warranted against defects of material and/or workmanship for a period of 3 years from date of sale. Aluminum fixture components in direct contact with soil shall be warranted from defects of material and failure from corrosion for a period of 1 year from date of sale.

Limit of Liability and General Conditions

Only products which are installed, used and maintained in accordance with applicable Kim instructions, specifications and accepted trade practices, are covered by the Kim Warranty. During the warranty period, with proof of purchase, Kim will repair or replace with the same or similar product, at Kim's option, without charge. Labor costs are the owner's responsibility and are excluded from this warranty. This warranty is void if the product is modified, tampered with, misapplied, poorly installed, improperly maintained, or subjected to abnormal conditions.

Repair or replacement as provided under this warranty is the exclusive remedy of the purchaser. This warranty is in lieu of all other warranties, expressed or implied, including any implied warranty of fitness for a particular application. Kim Lighting shall not be liable to the purchaser for indirect or consequential damages.



How may we serve you better?
Please let us know. Visit our website at:
www.kimlighting.com
Your concerns are important to us.