

Type:  
 Job:

Fixture Catalog number:

Fixture Module and Finish

Hood and Finish

Mounting Options:

Ordered Separately from Fixture  
 See page 2

Approvals:

Date:  
 Page: 1 of 2

## Specifications

**Hood:** Spun aluminum with low copper alloy aluminum die-cast reflector and hinge assembly. The hood is painted to order and the reflector is always painted white. The hood reflector assembly is removable with a no-tool stainless steel snap latch. Hood is available in three styles: Pagoda, Cone, and Mushroom.

**Husk:** Die-cast low copper alloy aluminum with stainless steel hinge / latch assembly.

**Globe:** Fluted glass.

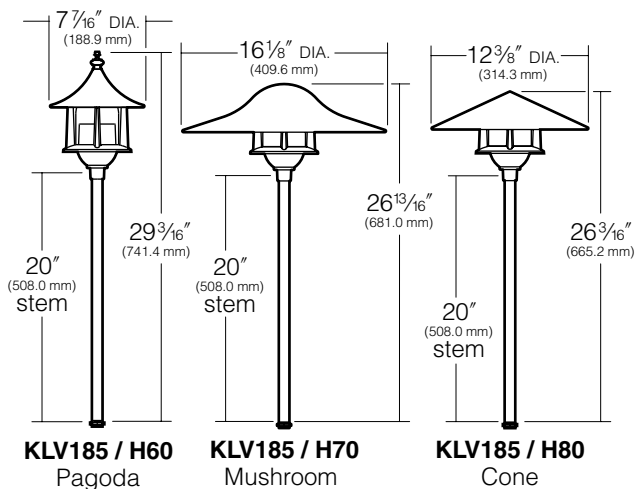
**Stem:** 20" schedule 40 aluminum pipe with 1/2" NPT at bottom plus solid brass locknut for secure mounting.

**Socket:** G4 to GY6.35 bipin for MR16 50 watt max. lamp.

**Wiring:** 3' No. 18-2 12 Volt cable with fork connectors.

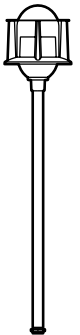
**Finish:** Each luminaire receives a fade and abrasion resistant, electrostatically applied, thermally cured, triglycidal isocyanurate (TGIC) polyester powdercoat finish. Standard colors are Black (BL), Dark Bronze (DB), and Verde Green (GR).

**Certification:** UL Listed to U.S. and Canadian safety standards for wet locations.



## ORDERING INFORMATION

| Fixture <sup>1</sup>              | Lamp                    | Finish            |
|-----------------------------------|-------------------------|-------------------|
| <input type="checkbox"/> KLV185BL | 50W, MR16 Bipin Halogen | Alum/Black        |
| <input type="checkbox"/> KLV185DB | 50W, MR16 Bipin Halogen | Alum./Dark Bronze |
| <input type="checkbox"/> KLV185GR | 50W, MR16 Bipin Halogen | Alum./Verde Green |



<sup>1</sup> Remote transformer required.

### Pagoda Hood Material / Finish

|                                |                     |
|--------------------------------|---------------------|
| <input type="checkbox"/> H60BL | Alum. / Black       |
| <input type="checkbox"/> H60DB | Alum. / Dark Bronze |
| <input type="checkbox"/> H60GR | Alum. / Verde Green |



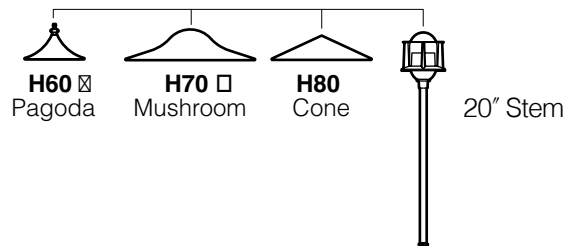
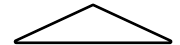
### Mushroom Hood Material / Finish

|                                |                     |
|--------------------------------|---------------------|
| <input type="checkbox"/> H70BL | Alum. / Black       |
| <input type="checkbox"/> H70DB | Alum. / Dark Bronze |
| <input type="checkbox"/> H70GR | Alum. / Verde Green |



### Cone Hood Material / Finish

|                                |                     |
|--------------------------------|---------------------|
| <input type="checkbox"/> H80BL | Alum. / Black       |
| <input type="checkbox"/> H80DB | Alum. / Dark Bronze |
| <input type="checkbox"/> H80GR | Alum. / Verde Green |



NOTE: Fixture modules and hoods may be ordered separately.

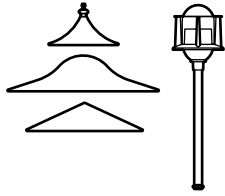


KIM LIGHTING RESERVES THE RIGHT TO CHANGE SPECIFICATIONS WITHOUT NOTICE.

Type:

Job:

Page: 2 of 2



## Mounting Options

Ordered Separately from Fixture

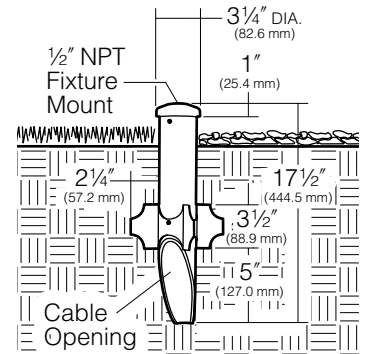
### Landscape Light Post by Engineered Products Co.

Cat. No.

EP17

No Option

PVC fixture molded in black with 1/2" NPT mount is corrosion free and UV resistant. Replaces EMT, conduit connectors and weatherproof boxes. 100% shatter resistant against denting and cracking. Angled bottom to eliminate cable congestion.  
 17 1/2" post length



### Low Voltage Spear Mount

Cat. No. Finish

KLV400BL Black

KLV400DB Dark Bronze

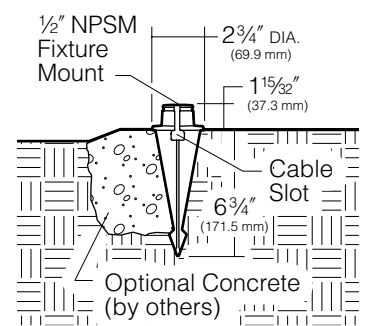
KLV400GR Verde Green

No Option

Die-cast low copper aluminum with 1/2" NPSM fixture mount. Stainless steel set screw locks fixture into mount. Cable slot allows easy fixture mounting before or after installation in ground. Super TGIC powder coat paint over clear anodizing and titanated zirconium conversion coating.

#### Spear Mounting in Concrete

In addition to soil mounting, the KLV400 can be installed in a concrete footing for added stability and permanence.



### Low Voltage Surface Mount

Cat. No. Finish

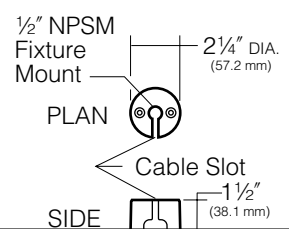
KLV405BL Black

KLV405DB Dark Bronze

KLV405GR Verde Green

No Option

Die-cast low copper aluminum with 1/2" NPSM fixture mount. Stainless steel set screw locks fixture into mount. Two holes provided for flat head wood screws. TGIC powder coat paint over clear anodizing and titanated zirconium conversion coating.



### Extension Module

Cat. No. Finish

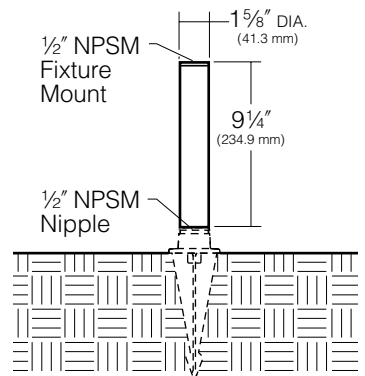
KLV415BL Black

KLV415DB Dark Bronze

KLV415GR Verde Green

No Option

For raising fixtures to a height above foliage for efficient and unobstructed operation. Constructed of 1 5/8" diameter extruded aluminum with die-cast ends. 1/2" NPSM female thread on one end, and other end has a 1/2" NPSM solid brass nipple. Stainless steel allen head set screw locks fixture onto mount. TGIC powder coat paint over titanated zirconium conversion coating. Two modules may be stacked for additional height.



See "12-15 Volt Variable Transformers" on [kimlighting.com](http://kimlighting.com) - Product Specifications - Landscape 12 Volt-120Volt section.