

Type:
Job:
Fixture Catalog number:

Fixture Module and Finish Hood and Finish

Mounting Options:

Ordered Separately from Fixture
 See page 2

Approvals:

Date:
Page: 1 of 2

Specifications

Hood: Spun aluminum with low copper alloy aluminum die-cast reflector and hinge assembly. The hood is painted to order and the reflector is always painted white. The hood reflector assembly is removable with a no-tool stainless steel snap latch. Hood is available in three styles: Pagoda, Cone, and Mushroom.

Husk: Die-cast low copper alloy aluminum with stainless steel hinge / latch assembly.

Globe: Fluted glass.

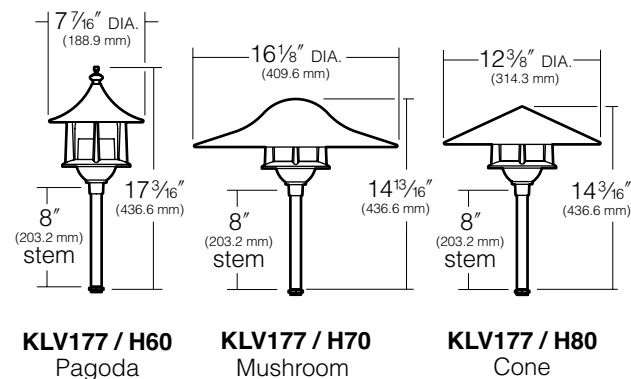
Stem: 8" schedule 40 aluminum pipe with 1/2" NPT at bottom plus solid brass locknut for secure mounting.

Socket: **KLV177** G4 to GY6.35 bipin for MR16 50 watt max. lamp.

Wiring: 3' No. 18-2 12 Volt cable with fork connectors.

Finish: Each luminaire receives a fade and abrasion resistant, electrostatically applied, thermally cured, triglycidal isocyanurate (TGIC) polyester powdercoat finish. Standard colors include **(BL)** Black, **(DB)** Dark Bronze, **(WH)** White, **(PS)** Platinum Silver, **(SG)** Stealth Gray, **(LG)** Light Gray, and **(CC)** Custom Color (Include RAL#).

Certification: UL Listed to U.S. and Canadian safety standards for wet locations.

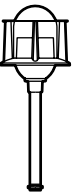


NOTE: Fixture modules and hoods may be ordered separately.



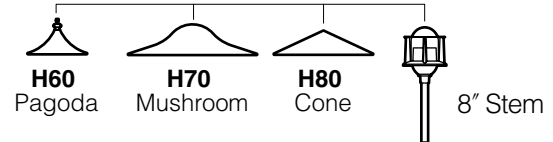
ORDERING INFORMATION

Fixture ¹	Lamp	Finish
<input type="checkbox"/> KLV177BL	50W, MR16 Bipin Halogen	Alum/Black
<input type="checkbox"/> KLV177DB	50W, MR16 Bipin Halogen	Alum./Dark Bronze
<input type="checkbox"/> KLV177GR	50W, MR16 Bipin Halogen	Alum./Verde Green



¹ Remote transformer required.

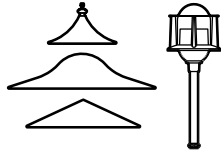
Hood Style	Material / Finish
Pagoda Hood	
<input type="checkbox"/> H60BL	Alum. / Black
<input type="checkbox"/> H60DB	Alum. / Dark Bronze
<input type="checkbox"/> H60GR	Alum. / Verde Green
Mushroom Hood	
<input type="checkbox"/> H70BL	Alum. / Black
<input type="checkbox"/> H70DB	Alum. / Dark Bronze
<input type="checkbox"/> H70GR	Alum. / Verde Green
Cone Hood	
<input type="checkbox"/> H80BL	Alum. / Black
<input type="checkbox"/> H80DB	Alum. / Dark Bronze
<input type="checkbox"/> H80GR	Alum. / Verde Green



KIM LIGHTING RESERVES THE RIGHT TO CHANGE SPECIFICATIONS WITHOUT NOTICE.

Type:

Job:



Mounting Options

Ordered Separately from Fixture

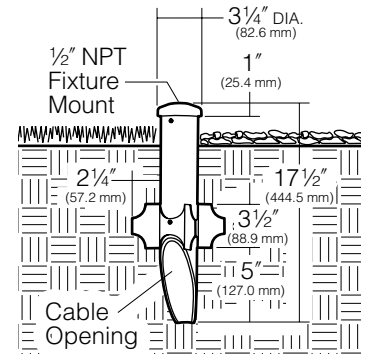
Landscape Light Post by Engineered Products Co.

Cat. No.

EP17

No Option

PVC fixture molded in black with 1/2" NPT mount is corrosion free and UV resistant. Replaces EMT, conduit connectors and weatherproof boxes. 100% shatter resistant against denting and cracking. Angled bottom to eliminate cable congestion.
 17 1/2" post length



Low Voltage Spear Mount

Cat. No.

Finish

KLV400BL Black

KLV400DB Dark Bronze

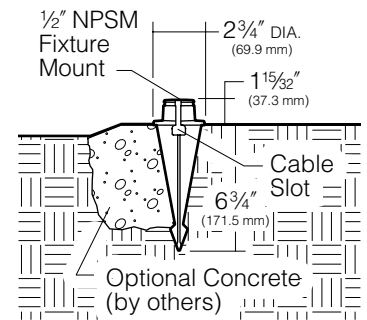
KLV400GR Verde Green

No Option

Die-cast low copper aluminum with 1/2" NPSM fixture mount. Stainless steel set screw locks fixture into mount. Cable slot allows easy fixture mounting before or after installation in ground. Super TGIC powder coat paint over clear anodizing and titanated zirconium conversion coating.

Spear Mounting in Concrete

In addition to soil mounting, the KLV400 can be installed in a concrete footing for added stability and permanence.



Low Voltage Surface Mount

Cat. No.

Finish

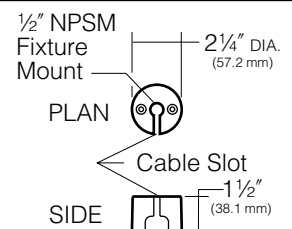
KLV405BL Black

KLV405DB Dark Bronze

KLV405GR Verde Green

No Option

Die-cast low copper aluminum with 1/2" NPSM fixture mount. Stainless steel set screw locks fixture into mount. Two holes provided for flat head wood screws. Super TGIC powder coat paint over clear anodizing and titanated zirconium conversion coating.



Extension Module

Cat. No.

Finish

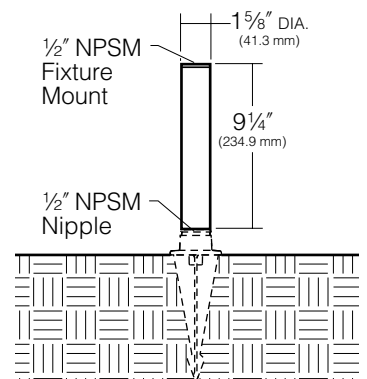
KLV415BL Black

KLV415DB Dark Bronze

KLV415GR Verde Green

No Option

For raising fixtures to a height above foliage for efficient and unobstructed operation. Constructed of 1 5/8" diameter extruded aluminum with die-cast ends. 1/2" NPSM female thread on one end, and other end has a 1/2" NPSM solid brass nipple. Stainless steel allen head set screw locks fixture onto mount. Super TGIC powder coat paint over titanated zirconium conversion coating. Two modules may be stacked for additional height.



Transformer Options

See "12-15 Volt Variable Transformers" on kimlighting.com - Product Specifications - Landscape 12 Volt-120Volt section.