

**Type:**  
**Job:**  
**Fixture Catalog number:**

\_\_\_\_\_  
/ \_\_\_\_\_  
Fixture Module and Finish      Hood and Finish

**Mounting Options:**

\_\_\_\_\_  
Ordered Separately from Fixture  
See page 2

**Approvals:**

**Date:**  
**Page: 1 of 3**

## Specifications

**Hood:** Spun copper with low copper alloy aluminum die-cast reflector and hinge assembly. The hood is either raw copper or verde green patina and the reflector is always painted white. The hood reflector assembly is removable with a no-tool stainless steel lever latch. Hood is available in three styles: Pagoda, Cone, and Mushroom.

**Husk:** Die-cast brass with stainless steel hinge / latch assembly.

**Globe:** Fluted glass.

**Stem:** 20" schedule 40 red brass pipe with 1/2" NPT at bottom plus solid brass locknut for secure mounting.

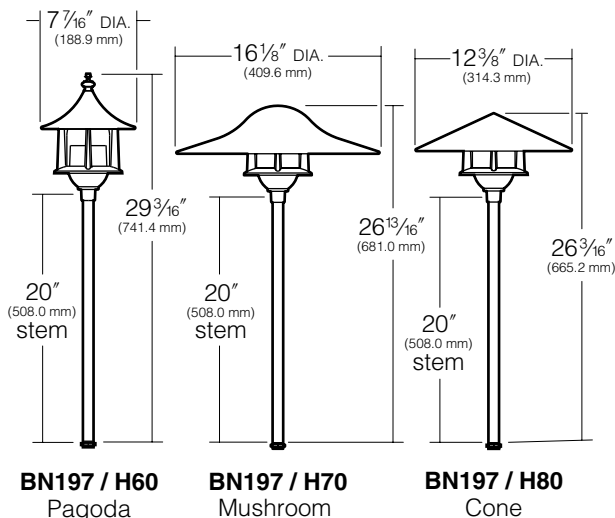
**Wiring:** No. 18AWM rated 105°C.

**Optical System:** A total of 3 LED emitters configured in a rectangular array comprised together as a module. Available in 3000K, 4200K and 5100K.

**Driver:** Universal Voltage from 120 to 277V with a ±10% tolerance. -40°F. starting temperature. All drivers are Underwriters Laboratories recognized.

**Finish:** Natural Brass (**NB**) and Verde Green Patina (**VG**).

**Certification:** UL Listed to U.S. and Canadian safety standards for wet locations.

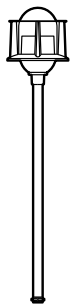


**NOTE:** Fixture modules and hoods may be ordered separately.



## ORDERING INFORMATION

Fixture	Source	Finish
<input type="checkbox"/> <b>BN197/3L3KUV<sup>1</sup>NB</b>	5.2W, 3 LED's, 3000K	Brass/ Natural
<input type="checkbox"/> <b>BN197/3L4KUV<sup>1</sup>NB</b>	5.2W, 3 LED's, 4200K	
<input type="checkbox"/> <b>BN197/3L5KUV<sup>1</sup>NB</b>	5.2W, 3 LED's, 5100K	
<input type="checkbox"/> <b>BN197/3L3KUV<sup>1</sup>VG</b>	5.2W, 3 LED's, 3000K	Brass/ Verde
<input type="checkbox"/> <b>BN197/3L4KUV<sup>1</sup>VG</b>	5.2W, 3 LED's, 4200K	
<input type="checkbox"/> <b>BN197/3L5KUV<sup>1</sup>VG</b>	5.2W, 3 LED's, 5100K	



<sup>1</sup>Universal Voltage from 120 to 277V with a ±10% tolerance.  
For 5.2W, Max Amps. are .040 for 120V, .030 for 208V, .020 for 240V, .020 for 277V

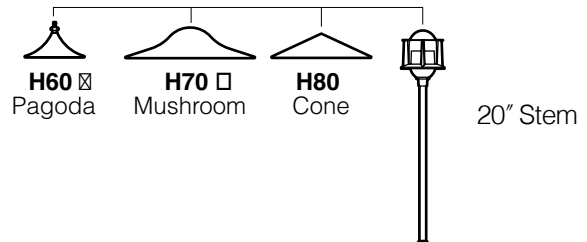
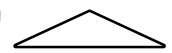
Pagoda Hood	Material/Finish
<input type="checkbox"/> <b>H60NB</b>	Copper/Natural
<input type="checkbox"/> <b>H60VG</b>	Copper/Verde Green Patina



Mushroom Hood	Material/Finish
<input type="checkbox"/> <b>H70NB</b>	Copper/Natural
<input type="checkbox"/> <b>H70VG</b>	Copper/Verde Green Patina



Cone Hood	Material/Finish
<input type="checkbox"/> <b>H80NB</b>	Copper/Natural
<input type="checkbox"/> <b>H80VG</b>	Copper/Verde Green Patina

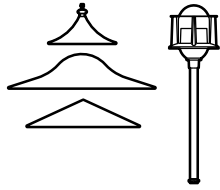


KIM LIGHTING RESERVES THE RIGHT TO CHANGE SPECIFICATIONS WITHOUT NOTICE.

Type:

Job:

Page: 2 of 3



## Mounting Options

Ordered Separately from Fixture

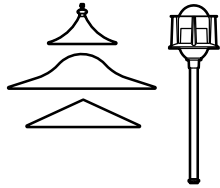
<p><b>Landscape Light Post by Engineered Products Co.</b>          Cat. No.  <input type="checkbox"/> EP17  <input type="checkbox"/> No Option</p>	<p>PVC fixture molded in black with 1/2" NPT mount is corrosion free and UV resistant. Replaces EMT, conduit connectors and weatherproof boxes. 17 1/2" post length.</p>
<p><b>Architectural Junction Box</b>          Cat. No.      Finish  <input type="checkbox"/> JB1/BL      Black  <input type="checkbox"/> JB1/DB      Dark Bronze  <input type="checkbox"/> JB1/GR      Verde Green  <input type="checkbox"/> No Option</p>	<p>Die-cast aluminum with 1/2" NPSM fixture mount. Internal set screw provided for locking position. Two 1/2" NPSM in bottom, 17 cu in. internal volume. TGIC powder coat.</p>
<p><b>Portable Spear Mount</b>          Cat. No.  <input type="checkbox"/> J-25N  <input type="checkbox"/> No Option</p>	<p>Cast iron with 1/2" NPSM fixture mount. Hot dip galvanized finish. 5.5 cu in. splice compartment. (SJTW-A) 3 wire cord and plug. 9' cord length.</p>
<p><b>Composite In-grade Architectural Junction Box</b>          Cat. No.  <input type="checkbox"/> JBR-4  <input type="checkbox"/> JBR-5  <input type="checkbox"/> No Option</p>	<p>Composite box with 1/2" NPSM fixture mount and composite cover. Internal set screw provided for locking position. 19 cu in. internal volume.  <b>JBR-4</b> (2) 3/4" NPT knock-outs in bottom                    (4) 3/4" NPT knock-outs on sides @ 90°  <b>JBR-5</b> Same as above but with brass cover  <b>NOTE:</b> May also be used to hard mount low voltage fixtures.</p>
<p><b>Brass In-grade Architectural Junction Box</b>          Cat. No.  <input type="checkbox"/> JBR-2  <input type="checkbox"/> JBR-3  <input type="checkbox"/> JBR-21  <input type="checkbox"/> JBR-24  <input type="checkbox"/> No Option</p>	<p>Die-cast brass with 1/2" NPSM fixture mount and die-cast cover. Internal set screw provided for locking position. 18 cu in. internal volume.  <b>JBR-2</b> (2) 1/2" NPT in bottom  <b>JBR-3</b> (2) 3/4" NPT in bottom  <b>JBR-21</b> (2) 1/2" NPT in sides, (2) 1/2" NPT in bottom  <b>JBR-24</b> (4) 1/2" NPT in sides, (2) 1/2" NPT in bottom          All side taps provided with plugs.</p>
<p><b>Brass In-grade Junction Box</b>          Cat. No.  <input type="checkbox"/> JBR30  <input type="checkbox"/> JBR32  <input type="checkbox"/> No Option</p>	<p><b>JBR30 BRASS IN-GRADE STAKED JUNCTION BOX</b>          Die-cast brass with 1/2" NPSM fixture mount and die-cast cover. Internal set screw provided for locking position. 18 cu in. internal volume.          (2) 1/2" NPT in bottom with (2) 19" long brass stakes</p> <hr/> <p><b>JBR32 BRASS IN-GRADE STAKED JUNCTION BOX WITH CORD</b>          Die-cast brass with 1/2" NPSM fixture mount and die-cast cover. Internal set screw provided for locking position. 18 cu in. internal volume. (SJTW-A) 3 wire cord and plug.          (2) 19" long brass stakes with 9' cord</p>

Go to the link below for more detailed information on mounting options:  
[http://www.kimlighting.com/content/products/specs/specs\\_files/kl\\_120vmounting\\_spec.pdf](http://www.kimlighting.com/content/products/specs/specs_files/kl_120vmounting_spec.pdf)

Type:

Job:

Page: 3 of 3



## Mounting Options

Ordered Separately from Fixture

Spectroradiometric			
	3000K	4200K	5100K
Correlated Color Temp. CCT (K)	2800 to 3175K	3800 to 4600K	4600 to 5600K
Color Rendering Index (CRI)	≥75	≥70	≥65

ELECTRICAL - Drive Current @350mA (3 LEDs)		
Volts -AC	Amps - AC	System Watts
120	0.04	5.2
208	0.03	5.2
240	0.02	5.2
277	0.02	5.2

Absolute Lumens (3 LEDs)	
Temperature	BN197/3L*K
3000K	57.4
4200K	67.3
5100K	70.3

Lumens Per Watt (3 LEDs)	
Temperature	BN197/3L*K
3000K	11.0
4200K	12.9
5100K	13.5