

Type:  
 Job:  
 Fixture Catalog number:

Approvals:

Fixture and Finish

Date:  
 Page: 1 of 2

## Specifications

**Housing:** Die-cast low copper alloy aluminum with clear anodized finish. Two 1/2" NPT in sides. Housing mounts into concrete, brick, or masonry (non-combustible materials). Internal splice area provided behind lamp plate.

**Lens Frame:** Die-cast aluminum, with silicone gasket, attaches to housing with two captive 10-32 stainless steel, hex socket cap screws.

**Lens:** Tempered prismatic glass with silicone gasket, concealed above lens frame opening.

**Transformer:** Requires remote transformer.

**Optical System:** A total of 3 LED emitters configured in a rectangular array comprised together as a module. Available in 3000K, 4200K, and 5100K.

**Driver:** Constant current electronic driver. Available in 12V input. -40°F. starting temperature. All drivers are Underwriters Laboratories recognized.

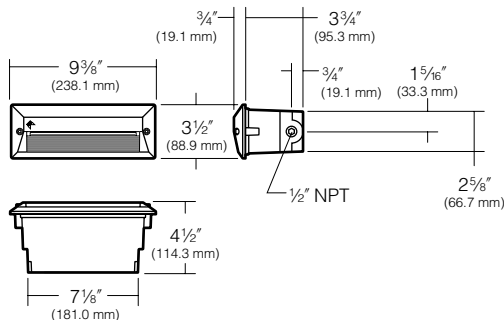
**Finish:** Each luminaire receives a fade and abrasion resistant, electrostatically applied, thermally cured, triglycidal isocyanurate (TGIC) polyester powdercoat finish. Standard colors are Black (**BL**), Dark Bronze (**DB**), and Verde Green (**GR**).

**Certification:** UL Listed to U.S. and Canadian safety standards for wet locations.

## ORDERING INFORMATION

Fixture	Source	Finish
<input type="checkbox"/> KLV807/3L3K/BL	5.3W, 3 LED's, 3000K <sup>1</sup>	Black
<input type="checkbox"/> KLV807/3L4K/BL	5.3W, 3 LED's, 4200K <sup>1</sup>	
<input type="checkbox"/> KLV807/3L5K/BL	5.3W, 3 LED's, 5100K <sup>1</sup>	
<input type="checkbox"/> KLV807/3L3K/DB	5.3W, 3 LED's, 3000K <sup>1</sup>	Dark Bronze
<input type="checkbox"/> KLV807/3L4K/DB	5.3W, 3 LED's, 4200K <sup>1</sup>	
<input type="checkbox"/> KLV807/3L5K/DB	5.3W, 3 LED's, 5100K <sup>1</sup>	
<input type="checkbox"/> KLV807/3L3K/GR	5.3W, 3 LED's, 3000K <sup>1</sup>	Verde Green
<input type="checkbox"/> KLV807/3L4K/GR	5.3W, 3 LED's, 4200K <sup>1</sup>	
<input type="checkbox"/> KLV807/3L5K/GR	5.3W, 3 LED's, 5100K <sup>1</sup>	

<sup>1</sup>.43 Max Amps.



KIM LIGHTING RESERVES THE RIGHT TO CHANGE SPECIFICATIONS WITHOUT NOTICE.

Type:

Job:

Page: 2 of 2

## Lumen Data

Spectroradiometric			
	3000K	4200K	5100K
Correlated Color Temp. CCT (K)	2800 to 3175K	3800 to 4600K	4600 to 5600K
Color Rendering Index (CRI)	≥75	≥70	≥65

ELECTRICAL - Drive Current @350mA (3 LEDs)		
Volts -AC	Amps - AC	System Watts
12	0.44	5.3

Absolute Lumens (3 LEDs)	
Temperature	KLV807/3L*K
3000K	61
4200K	71
5100K	78

Lumens Per Watt (3 LEDs)	
Temperature	KLV807/3L*K
3000K	11.5
4200K	13.4
5100K	14.7