

Type:
Job:
Fixture Catalog number:

_____/_____
Fixture Mode Finish

Approvals:

Date:
Page: 1 of 2

Specifications

Housing: Die-cast low copper alloy (<0.6% Cu) aluminum with clear anodized finish. Two 1/2" NPT in sides. Housing mounts into concrete, brick, or masonry (non-combustible materials). Internal splice area provided behind lamp plate.

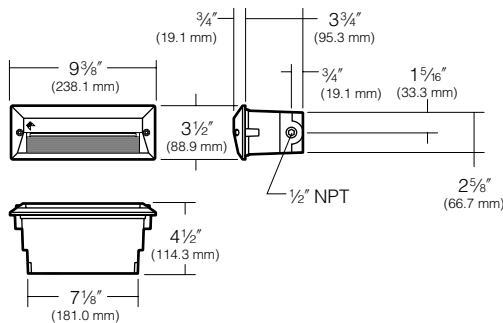
Lens Frame: Die-cast aluminum, with silicone gasket, attaches to housing with two captive 10-32 stainless steel, hex socket cap screws.

Lens: Tempered prismatic glass with silicone gasket, concealed above lens frame opening.

Finish: On lens frame only, each luminaire receives a fade and abrasion resistant, electrostatically applied, thermally cured, triglycidal isocyanurate (TGIC) polyester powdercoat finish. Standard colors are Black (**BL**), Dark Bronze (**DB**), and Verde Green (**GR**).

Optical System: A total of 3 or 9 LED emitters are configured together as a module. Available in 3000K, 4200K, and 5100K.

Driver: Universal Voltage from 120 to 277V with a ±10% tolerance. -40° F. starting temperature. All drivers are Underwriters Laboratories recognized.



ORDERING INFORMATION

Fixture	Source
<input type="checkbox"/> EL807 / 3L3KUV ¹	5.3W, 3 LED's, 3000K
<input type="checkbox"/> EL807 / 3L4KUV ¹	5.3W, 3 LED's, 4200K
<input type="checkbox"/> EL807 / 3L5KUV ¹	5.3W, 3 LED's, 5100K

Fixture	Source
<input type="checkbox"/> EL807 / 9L3KUV ¹	10.5W, 9 LED's, 3000K
<input type="checkbox"/> EL807 / 9L4KUV ¹	10.5W, 9 LED's, 4200K
<input type="checkbox"/> EL807 / 9L5KUV ¹	10.5W, 9 LED's, 5100K

¹ Universal Voltage from 120 to 277V with a ±10% tolerance.
For 5.3W, Max Amps. are .13 for 120V, .080 for 208V, .080 for 240V, .060 for 277V. For 10.8W, Max Amps. are .090 for 120V, .050 for 208V, .040 for 240V, .040 for 277V..

Finish

- BL** - Black
- DB** - Dark Bronze
- GR** - Verde Green

Listings and Ratings

UL cUL 1598 ¹	IP66 Rated	25C Ambient
--------------------------	------------	-------------

¹Suitable for wet locations

KIM LIGHTING RESERVES THE RIGHT TO CHANGE SPECIFICATIONS WITHOUT NOTICE.

Type:

Job:

Page: 2 of 2

Lumen Data

Spectroradiometric			
	3000K	4200K	5100K
Correlated Color Temp. CCT (K)	2800 to 3175K	3800 to 4600K	4600 to 5600K
Color Rendering Index (CRI)	≥75	≥70	≥65

ELECTRICAL - Drive Current @350mA (3 LEDs)		
Volts -AC	Amps - AC	System Watts
120	0.13	5.3
208	0.08	5.3
240	0.08	5.3
277	0.06	5.3

ELECTRICAL - Drive Current @350mA (9 LEDs)		
Volts -AC	Amps - AC	System Watts
120	0.09	10.5
208	0.05	10.5
240	0.04	10.5
277	0.04	10.5

Absolute Lumens (3 LEDs)	
Temperature	EL807/3L*K
3000K	61
4200K	71
5100K	78

Absolute Lumens (9 LEDs)	
Temperature	EL807/9L*K
3000K	167
4200K	188
5100K	211

Lumens Per Watt (3 LEDs)	
Temperature	EL807/3L*K
3000K	11.5
4200K	13.4
5100K	14.7

Lumens Per Watt (9 LEDs)	
Temperature	EL807/9L*K
3000K	15.9
4200K	17.9
5100K	20.1