

Type:  
Job:

**Fixture Options:**

**Approvals:**

Ordered Separately from Fixture  
See page 2

**Fixture Catalog number:**

**Mounting Options:**

Fixture and Finish

Ordered Separately from Fixture  
See pages 3-5

**Date:**  
**Page: 1 of 5**

## Specifications

**Lamp Housing:** Die-cast brass with die-cast cover, stainless steel fasteners and stainless steel set screw lock for aiming pivot.

**Aiming:** Aimable 358° vertically, horizontal aiming controlled by installation on mounting device.

**Ravenna Yoke:** Cast brass, stainless steel fasteners and 1/2" NPSM brass nipple mount.

**Lens:** Tempered glass, 1/8" nominal thickness.

**Gasketing:** Silicone gaskets used throughout.

**Socket:** G4 to GY6.35 socket for bipin lamp.

**Transformer:** 120 volt to 12 volt, 20 to 50 watt electronic stepdown transformer, enclosed and gasketed in yoke base.

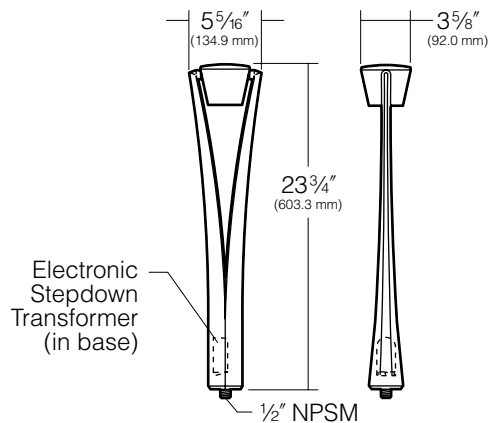
**Wiring:** No. 18AWM rated 105°C.

**Finish:** Natural Brass (**NB**) and Verde Green Patina (**VG**).

**Certification:** UL Listed to U.S. and Canadian safety standards for wet locations.

## ORDERING INFORMATION

Fixture	Lamp	Finish
<input type="checkbox"/> <b>BN175NB</b>	20W-50W MR16 Bipin Halogen	Natural Brass
<input type="checkbox"/> <b>BN175VG</b>	20W-50W MR16 Bipin Halogen	Verde Green Patina



U.S. PATENT D407,842

KIM LIGHTING RESERVES THE RIGHT TO CHANGE SPECIFICATIONS WITHOUT NOTICE.

Type:

Job:

Page: 2 of 5



## Fixture Options

Ordered Separately from Fixture

**Lens Accessories**  
 Cat. No. (See right)  
 No Option

**HL - Hex Cell Louver:** Constructed of hex cell aluminum louvers providing 45° cutoff, mounted in a circular frame, finished in baked high-heat flat black. Can be used in combination with colored lenses. Inserts behind lens. Cannot be used in combination with **SL** spread or **PL** prismatic lenses.



Cat. No.

**HL** Hex Cell Louver

**PL - Prismatic Lens:** Softens lamp distribution and flattens beam spread. Best with flood lamps. Inserts behind lens. Cannot be used in combination with **HL** louver.



Cat. No.

**PL** Prismatic Lens

**SL - Spread Lens:** Creates an oval beam pattern, more narrow in one beam axis. Best with spot lamps. Inserts behind lens. Cannot be used in combination with **HL** louver.



Cat. No.

**SL** Spread Lens

Type:

Job:

Page: 3 of 5



## Mounting Options

Ordered Separately from Fixture

### Landscape Light Post by Engineered Products Co.

Cat. No.

EP17

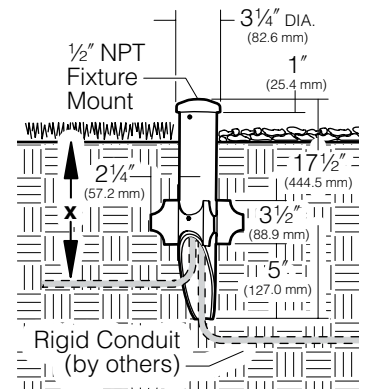
No Option

PVC fixture molded in black with 1/2" NPT mount is corrosion free and UV resistant. Replaces EMT, conduit connectors and weatherproof boxes. 100% shatter resistant against denting and cracking. Angled bottom to eliminate cable congestion.

17 1/2" post length

**NOTE:** EP17 should be used with a UL listed fixture and grounding means (i.e., third wire) suitable for use in wet locations.

"x" = required depth of conduit per local codes.



### Architectural Junction Box

Cat. No.

Finish

JB1/BL

Black

JB1/DB

Dark Bronze

JB1/GR

Verde Green

No Option

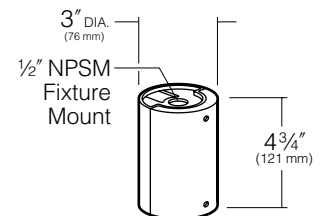
Die-cast aluminum with 1/2" NPSM fixture mount. Internal set screw provided for locking position. Two 1/2" NPSM in bottom, 17 cu in. internal volume. Super TGIC powder coat paint over clear anodizing and titanated zirconium conversion coating.

**NOTE:** May also be used to hard mount low voltage fixtures.

#### Application Notes

- Elevates Accent Lights above ground cover to prevent foliage from blocking the light.
- Elevates Path Lights above ground cover to achieve a greater light throw.

**CAUTION:** Junction box must be installed high enough to avoid contact with soil or standing water.



Type:

Job:

Page: 4 of 5



## Mounting Options

Ordered Separately from Fixture

### Brass In-grade Architectural Junction Box

Cat. No.

- JBR-2
- JBR-3
- JBR-21
- JBR-24
- No Option

Die-cast brass with 1/2" NPSM fixture mount and die-cast cover. Internal set screw provided for locking position. 18 cu in. internal volume.

- JBR-2** (2) 1/2" NPT in bottom
- JBR-3** (2) 3/4" NPT in bottom
- JBR-21** (2) 1/2" NPT in sides, (2) 1/2" NPT in bottom
- JBR-24** (4) 1/2" NPT in sides, (2) 1/2" NPT in bottom

All side taps provided with plugs.

**NOTE:** May also be used to hard mount low voltage fixtures.

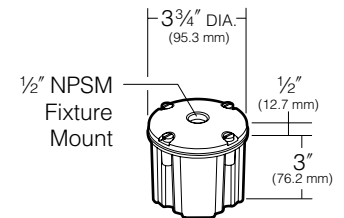
#### 25 Year Limited Warranty:

Solid brass junction boxes are warranted for 25 years, from date of sale, against manufacturing defects and failure due to corrosion.

#### Application Notes

- Creates a flush-mounted appearance.
- May be cast in concrete for increased stability.

**CAUTION:** Fixture stem and swivel must not contact soil or standing water. Provide drainage away from junction box.



### Brass In-grade Staked Junction Box

Cat. No.

- JBR30
- No Option

### JBR30 BRASS IN-GRADE STAKED JUNCTION BOX

Die-cast brass with 1/2" NPSM fixture mount and die-cast cover. Internal set screw provided for locking position. 18 cu in. internal volume.

(2) 1/2" NPT in bottom with (2) 19" long brass stakes.

**NOTE:** May also be used to hard mount low voltage fixtures.

### Brass In-grade Staked Junction Box With Cord

Cat. No.

- JBR32
- No Option

### JBR32 BRASS IN-GRADE STAKED JUNCTION BOX WITH CORD

Die-cast brass with 1/2" NPSM fixture mount and die-cast cover. Internal set screw provided for locking position. 18 cu in. internal volume. (SJTW-A) 3 wire cord and plug.

(2) 19" long stakes with 9' cord.

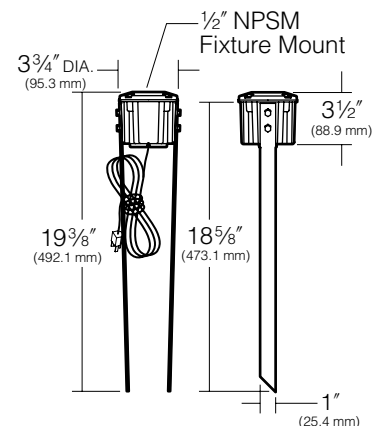
#### 25 Year Limited Warranty:

Solid brass junction boxes are warranted for 25 years, from date of sale, against manufacturing defects and failure due to corrosion.

#### Application Notes

- Creates a flush-mounted appearance.
- May be cast in concrete for increased stability.

**CAUTION:** Fixture stem and swivel must not contact soil or standing water. Provide drainage away from junction box.



Type:  
 Job:



## Mounting Options

Ordered Separately from Fixture

### Stanchion Mount

- |   |             |
|---|-------------|
| Cat. No.                                  | Finish      |
| <input type="checkbox"/> <b>SM18/BL</b>   | Black       |
| <input type="checkbox"/> <b>SM18/DB</b>   | Dark Bronze |
| <input type="checkbox"/> <b>SM18/GR</b>   | Verde Green |
| <input type="checkbox"/> <b>No Option</b> |             |

3" O.D. by .188" wall cast aluminum with 1/2" NPSM fixture mount and hand hole with flush cover. Internal set screw fixture lock accessible through hand hole. Internal ground lug supplied with installed lead. Super TGIC powder coat paint over clear anodizing and titanated zirconium conversion coating.

**NOTE:** May also be used to hard mount low voltage fixtures.

