

**Type:**  
**Job:**  
**Fixture Catalog number:**

Fixture and Finish

**Mounting Options:**

Ordered Separately from Fixture  
 See page 2

**Approvals:**

**Date:**  
**Page: 1 of 2**

## Specifications

**Hood:** Spun aluminum, supported on brass rods.

**Stem:** Cast aluminum with 1/2" NPT at bottom, plus solid brass locknut for mounting.

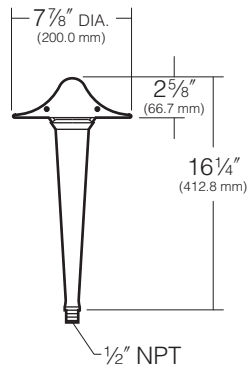
**Socket:** Porcelain medium base with silicone lamp gasket.

**Wiring:** 3' No. 18-2 12 volt cable with fork connectors.

**Lamp:** 25 watt A-19 included.

**Finish:** Super TGIC thermoset polyester powder coat paint, 2.5 mil nominal thickness, applied over a titanated zirconium conversion coating; 2500 hour salt spray test endurance rating. Standard colors are Black (**BL**), Dark Bronze (**DB**), and Verde Green (**GR**).

**Certification:** UL Listed to U.S. safety standards for wet locations.



## ORDERING INFORMATION

Fixture*	Finish
<input type="checkbox"/> KLV115BL	Black
<input type="checkbox"/> KLV115DB	Dark Bronze
<input type="checkbox"/> KLV115GR	Verde Green

### Wattage / Lamp

**25W - 50W**  
 A-19 (12 Volt)  
 Incandescent  
 (25W Lamp Included)

\*Remote transformer required.

Type:

Job:

Page: 2 of 2



## Mounting Options

Ordered Separately from Fixture

### Landscape Light Post by Engineered Products Co.

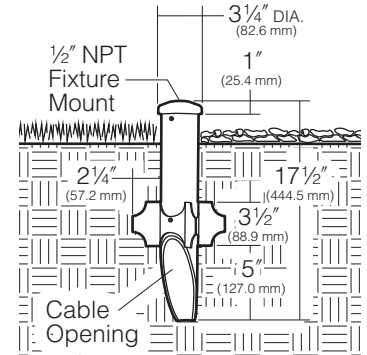
Cat. No.

EP17

No Option

PVC fixture molded in black with 1/2" NPT mount is corrosion free and UV resistant. Replaces EMT, conduit connectors and weatherproof boxes. 100% shatter resistant against denting and cracking. Angled bottom to eliminate cable congestion.

17 1/2" post length



### Low Voltage Spear Mount

Cat. No.

Finish

KLV400BL

Black

KLV400DB

Dark Bronze

KLV400GR

Verde Green

No Option

Die-cast low copper aluminum with 1/2" NPSM fixture mount. Stainless steel set screw locks fixture into mount. Cable slot allows easy fixture mounting before or after installation in ground. Super TGIC powder coat paint over clear anodizing and titanated zirconium conversion coating.

#### Spear Mounting in Concrete

In addition to soil mounting, the KLV400 can be installed in a concrete footing for added stability and permanence.

