

Type: Job: Fixture Catalog number: <hr/> Fixture and Finish	Fixture Options: <hr/> Ordered Separately from Fixture See page 2 Mounting Options: <hr/> Ordered Separately from Fixture See page 3	Approvals: Date: Page: 1 of 4
-----------------------------------------------------------------------------------------------	-----------------------------------------------------------------------------------------------------------------------------------------------------------------------	----------------------------------------------------------------------

Specifications

Housing and Lens Frame: Die-cast low copper alloy aluminum. Frame with silicone gasket, attaches to housing with four captive ¼-20 stainless steel, slotted cap screws.

Arm: Cast aluminum. Head is independently rotatable 300° vertically from top dead center. Head may be positioned straight up. Horizontal rotation of entire fixture controlled by installation on mounting device. Set screw provided for locking position.

Stem: ½" schedule 40 aluminum pipe with ½" NPT at bottom plus solid brass locknut for mounting.

Lens: Tempered clear soda lime glass with silicone gasket. Flush with lens frame to promote water runoff when positioned upward.

Wiring: 3' No. 18-2 12 Volt cable with fork connectors.

Optical System: A total of 3 LED emitters configured in a rectangular array comprised together as a module. Available in 3000K, 4200K, and 5100K.

Driver: Constant current electronic driver. Available in 12V input. -40°F. starting temperature. All drivers are Underwriters Laboratories recognized.

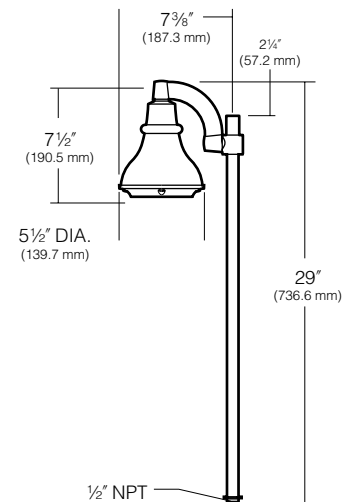
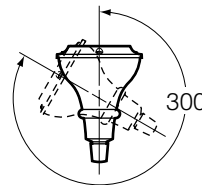
Finish: Each luminaire receives a fade and abrasion resistant, electrostatically applied, thermally cured, triglycidal isocyanurate (TGIC) polyester powdercoat finish. Standard colors are Black (**BL**), Dark Bronze (**DB**), and Verde Green (**GR**).

Certification: UL Listed to U.S. and Canadian safety standards for wet locations.

ORDERING INFORMATION

Fixture	Source	Finish
<input type="checkbox"/> KLV162/3L3K/BL	5.3W, 3 LED's, 3000K ¹	Black
<input type="checkbox"/> KLV162/3L4K/BL	5.3W, 3 LED's, 4200K ¹	
<input type="checkbox"/> KLV162/3L5K/BL	5.3W, 3 LED's, 5100K ¹	
<input type="checkbox"/> KLV162/3L3K/DB	5.3W, 3 LED's, 3000K ¹	Dark Bronze
<input type="checkbox"/> KLV162/3L4K/DB	5.3W, 3 LED's, 4200K ¹	
<input type="checkbox"/> KLV162/3L5K/DB	5.3W, 3 LED's, 5100K ¹	
<input type="checkbox"/> KLV162/3L3K/GR	5.3W, 3 LED's, 3000K ¹	Verde Green
<input type="checkbox"/> KLV162/3L4K/GR	5.3W, 3 LED's, 4200K ¹	
<input type="checkbox"/> KLV162/3L5K/GR	5.3W, 3 LED's, 5100K ¹	

¹.44 Max Amps.



KIM LIGHTING RESERVES THE RIGHT TO CHANGE SPECIFICATIONS WITHOUT NOTICE.

Type:

Job:

Page: 2 of 4



Fixture Options

Ordered Separately from Fixture

Lens Accessories

Cat. No. (See right)

No Option

HL72 - Hex Cell Louver: Constructed of hex cell aluminum louvers providing 45° cutoff, mounted in a circular frame, finished in baked high-heat flat black. Can be used in combination with colored lenses. Inserts behind lens into lens gasket. Cannot be used in combination with **SL** spread or **PL** prismatic lenses.



Cat. No.

HL72 Hex Cell Louver

PL72 - Prismatic Lens: Softens lamp distribution and flattens beam spread. Best with flood lamps. Inserts behind lens into lens gasket. Cannot be used in combination with **HL72** louver.



Cat. No.

PL72 Prismatic Lens

SL72 - Spread Lens: Creates an oval beam pattern, more narrow in one beam axis. Best with spot lamps. Inserts behind lens into lens gasket. Cannot be used in combination with **HL72** louver.



Cat. No.

SL72 Spread Lens

Transformer Options

See "12-15 Volt Variable Transformers" on kimlighting.com - Product Specifications - Landscape 12 Volt-120Volt section.

Type:

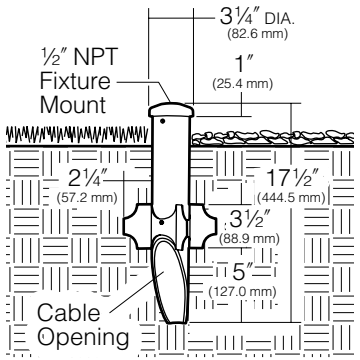
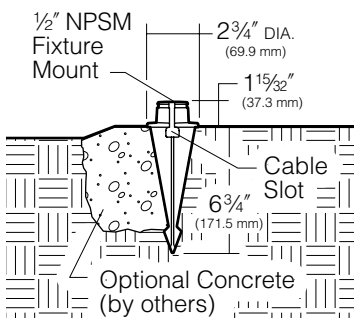
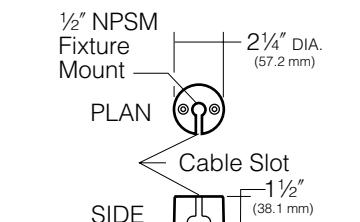
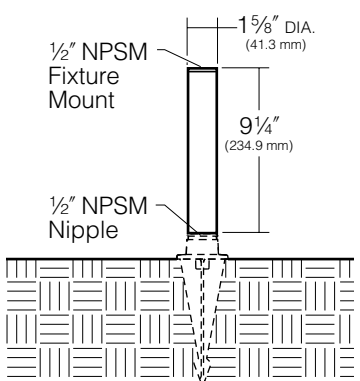
Job:

Page: 3 of 4



Mounting Options

Ordered Separately from Fixture

<p>Landscape Light Post by Engineered Products Co.</p> <p>Cat. No. <input type="checkbox"/> EP17 <input type="checkbox"/> No Option</p>	<p>PVC fixture molded in black with 1/2" NPT mount is corrosion free and UV resistant. Replaces EMT, conduit connectors and weatherproof boxes. 100% shatter resistant against denting and cracking. Angled bottom to eliminate cable congestion. 17 1/2" post length</p>	
<p>Low Voltage Spear Mount</p> <p>Cat. No. Finish <input type="checkbox"/> KLV400BL Black <input type="checkbox"/> KLV400DB Dark Bronze <input type="checkbox"/> KLV400GR Verde Green <input type="checkbox"/> No Option</p>	<p>Die-cast low copper aluminum with 1/2" NPSM fixture mount. Stainless steel set screw locks fixture into mount. Cable slot allows easy fixture mounting before or after installation in ground. TGIC powder coat paint over clear anodizing and titanated zirconium conversion coating.</p> <p>Spear Mounting in Concrete The KLV400 must be installed in concrete.</p>	
<p>Low Voltage Surface Mount</p> <p>Cat. No. Finish <input type="checkbox"/> KLV405BL Black <input type="checkbox"/> KLV405DB Dark Bronze <input type="checkbox"/> KLV405GR Verde Green <input type="checkbox"/> No Option</p>	<p>Die-cast low copper aluminum with 1/2" NPSM fixture mount. Stainless steel set screw locks fixture into mount. Two holes provided for flat head wood screws. TGIC powder coat paint over clear anodizing and titanated zirconium conversion coating.</p>	
<p>Extension Module</p> <p>Cat. No. Finish <input type="checkbox"/> KLV415BL Black <input type="checkbox"/> KLV415DB Dark Bronze <input type="checkbox"/> KLV415GR Verde Green <input type="checkbox"/> No Option</p>	<p>For raising fixtures to a height above foliage for efficient and unobstructed operation. Constructed of 1 5/8" diameter extruded aluminum with die-cast ends. 1/2" NPSM female thread on one end, and other end has a 1/2" NPSM solid brass nipple. Stainless steel allen head set screw locks fixture onto mount. TGIC powder coat paint over titanated zirconium conversion coating. Two modules may be stacked for additional height.</p>	

Type:

Job:

Page: 4 of 4



Lumen Data

Spectroradiometric			
	3000K	4200K	5100K
Correlated Color Temp. CCT (K)	2800 to 3175K	3800 to 4600K	4600 to 5600K
Color Rendering Index (CRI)	≥75	≥70	≥65

ELECTRICAL - Drive Current @350mA (3 LEDs)		
Volts	Amps	System Watts
12	0.44	5.3

Absolute Lumens (3 LEDs)	
Temperature	KLV162/3L*K
3000K	199.7
4200K	205.1
5100K	206

Lumens Per Watt (3 LEDs)	
Temperature	KLV162/3L*K
3000K	37.7
4200K	38.7
5100K	38.9