



KIM LIGHTING

Minivault **LTV761**

120 Volt Die-Cast Brass, PAR20 Halogen

revision 11/2/12 • kl_ltv761_spec.pdf

Type:

Job:

Fixture Catalog number:

Fixture

Fixture Options:

Ordered separately from fixture
See page 2 - 3

Approvals:

Date:

Page: 1 of 3

Specifications

Lens Ring: Die-cast brass with natural finish. (Optional standard stainless steel lens ring is also available.) Five captive 1/4" blackened stainless steel hex-socket cap screws.

Lens: Clear tempered soda lime, 3/16" thick, flush with lens ring, slightly crowned.

Lens Gasket: One-piece molded silicone, U-channel wraps completely around lens flange.

Housing: Heavy wall die-cast brass.

Integral Junction Box: Die-cast brass with stainless steel flat head slotted screws and molded silicone gasket. Die-cast internal junction box cover with silicone gasket and anti-siphon plug, two 1/2" NPT taps in bottom, 12 cu in. volume.

Socket: Medium base socket for PAR20 reflector lamps. Socket is yoke mounted, providing ±15° vertical adjustment and 340° rotation, locking screws black anodized gimble ring.

Wiring: Anti-siphon barrier on wiring to and from splice compartment. All components wire linked for ground, quick-disconnect for removal of optical system.

ORDERING INFORMATION

Fixture

LTV761

Source

Natural Finish

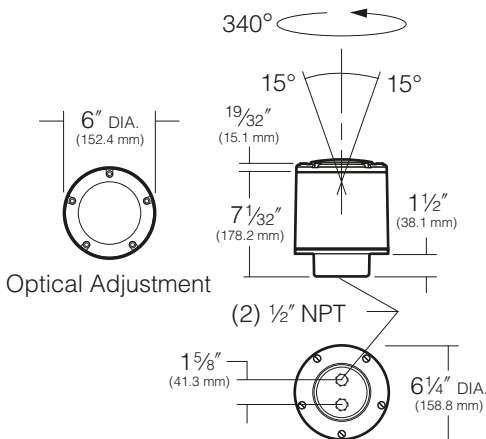
Wattage/Lamp

50W

PAR20

Halogen

In-grade mount only



Hubbell
Lighting, Inc.

U.S. PATENTS D410,295 AND D411,640



Listings and Ratings

UL cUL 1598¹

IP68 Rated

25C Ambient

¹Suitable for wet locations

KIM LIGHTING RESERVES THE RIGHT TO CHANGE SPECIFICATIONS WITHOUT NOTICE.

Type:

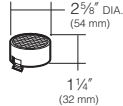
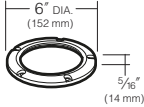
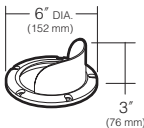
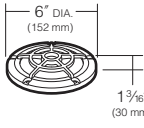
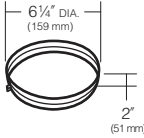
Job:

Page: 2 of 3



Fixture Options

Ordered Separately from Fixture

| | | |
|--|--|---|
| <p>Internal Louver Cat. No. <input type="checkbox"/> L20 <input type="checkbox"/> No Option</p> | <p>Clips onto rim of MR16 lamp and provides additional brightness control. For use with LTV761 only.</p> |  |
| <p>Brushed Stainless Steel Lens Ring Cat. No. <input type="checkbox"/> SS60 <input type="checkbox"/> SS60 (Assembled) <input type="checkbox"/> No Option</p> | <p>Brushed stainless steel replaces standard lens ring. Includes mounting screws. May be ordered separately. To order assembled with fixture, add to fixture Cat. No. - Example: LTV761/SS60.</p> |  |
| <p>Half Shield Cat. No. <input type="checkbox"/> HS60 <input type="checkbox"/> HS60 (Assembled) <input type="checkbox"/> No Option</p> | <p>Lens ring for directional glare control toward the viewer. One-piece cast bronze, replaces standard lens ring. Includes glass lens gasket and mounting screws. May be ordered separately. To order assembled with fixture, add to fixture Cat. No. - Example: LTV761/HS60. Replaces standard lens ring. NOTE: Cast bronze only.</p> |  |
| <p>Rock Guard Cat. No. <input type="checkbox"/> RG60 <input type="checkbox"/> RG60 (Assembled) <input type="checkbox"/> No Option</p> | <p>Lens ring for lens protection in vandal prone areas. One-piece cast bronze, replaces standard lens ring. Includes glass lens gasket and mounting screws. May be ordered separately. To order assembled with fixture, add to fixture Cat. No. - Example: LTV761/RG60. Replaces standard lens ring. NOTE: Cast bronze only.</p> |  |
| <p>Trim Ring Cat. No. <input type="checkbox"/> TR60 <input type="checkbox"/> No Option</p> | <p>For flush mounting of fixture in concrete pad or paving. Brass ring clamps to housing with stainless steel screw. NOTE: Brass only.</p> |  |

Type:

Job:

Page: 3 of 3



Fixture Options

Ordered Separately from Fixture

Lens Accessories
 Cat. No. (See right)
 No Option

HL73 - Hex Cell Louver: Constructed of hex cell aluminum louvers providing 45° cutoff, mounted in a circular frame, finished in baked high-heat flat black. Can be used in combination with colored lenses. Inserts behind lens into lens gasket. Cannot be used in combination with **SL** spread or **PL** prismatic lenses.



Cat. No.

HL73 Hex Cell Louver

PL73 - Prismatic Lens: Softens lamp distribution and flattens beam spread. Best with flood lamps. Inserts behind lens into lens gasket. Cannot be used in combination with **HL73** louver.



Cat. No.

PL73 Prismatic Lens

SL73 - Spread Lens: Creates an oval beam pattern, more narrow in one beam axis. Best with spot lamps. Inserts behind lens into lens gasket. Cannot be used in combination with **HL73** louver.



Cat. No.

SL73 Spread Lens