

Type:
Job:
Fixture Catalog number:

Fixture Options:

Approvals:

Fixture and Finish

Ordered Separately from Fixture
 See page 2

Date:
Page: 1 of 2

Specifications

Lens Ring: Die-cast low copper alloy aluminum. Five captive ¼" blackened stainless steel hex-socket cap screws.

Lens: Clear tempered soda lime, 3/16" thick, flush with lens ring, slightly crowned.

Lens Gasket: One-piece molded silicone, U-channel wraps completely around lens flange.

Housing: Die-cast low copper alloy aluminum, clear anodized prior to finishing.

Socket: G4 to GY6.35 socket for bipin lamp, mounted on yoke providing ±15° vertical adjustment and 340° rotation, locking screws, black anodized gimble ring.

Cable: 6' #18-2 12 Volt cable with fork connector, sealed entry into body with anti-siphon plug.

Finish: Super TGIC thermoset polyester powder coat paint, 2.5 mil nominal thickness, applied over an anodized pre-treatment and titanated zirconium conversion coating; 2500 hour salt spray test endurance rating. Standard colors are Black (**BL**), Dark Bronze (**DB**), and Verde Green (**GR**).

Certification: UL Listed to U.S. and Canadian safety standards for wet locations. Fixture manufacturer shall employ a quality program that is certified to meet the ISO 9001:2000 standard.

ORDERING INFORMATION

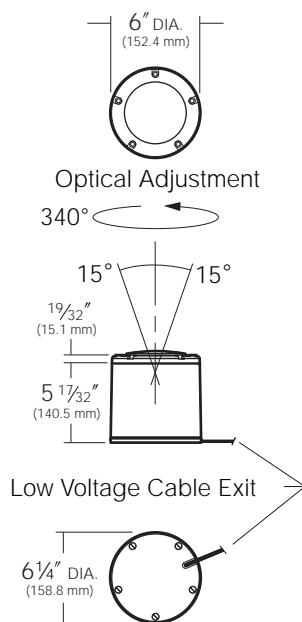
Fixture*	Finish
<input type="checkbox"/> KLV360BL	Black
<input type="checkbox"/> KLV360DB	Dark Bronze
<input type="checkbox"/> KLV360GR	Verde Green

Wattage / Lamp

20W - 75W
 MR16 Bipin
 Halogen

*Remote transformer required.

NOTE: Surface or In-grade mounting. KLV360 replaces the discontinued KLV310.



KIM LIGHTING RESERVES THE RIGHT TO CHANGE SPECIFICATIONS WITHOUT NOTICE.

Type:

Job:

Page: 2 of 2



Fixture Options

Ordered Separately from Fixture

Lens Accessories
 Cat. No. (See right)
 No Option

HL73 - Hex Cell Louver: Constructed of hex cell aluminum louvers providing 45° cutoff, mounted in a circular frame, finished in baked high-heat flat black. Can be used in combination with colored lenses. Inserts behind lens into lens gasket. Cannot be used in combination with **SL** spread or **PL** prismatic lenses.



Cat. No.
 HL73 Hex Cell Louver

PL73 - Prismatic Lens: Softens lamp distribution and flattens beam spread. Best with flood lamps. Inserts behind lens into lens gasket. Cannot be used in combination with **HL73** louver.



Cat. No.
 PL73 Prismatic Lens

SL73 - Spread Lens: Creates an oval beam pattern, more narrow in one beam axis. Best with spot lamps. Inserts behind lens into lens gasket. Cannot be used in combination with **HL73** louver.



Cat. No.
 SL73 Spread Lens

Internal Louver
 Cat. No.
 L12
 No Option

Clips onto rim of MR16 lamp and provides additional brightness control.

