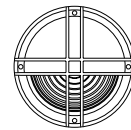
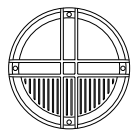


WF20



WF21



WF22

WALL FORMS® Round - WF20 Series Installation Instructions

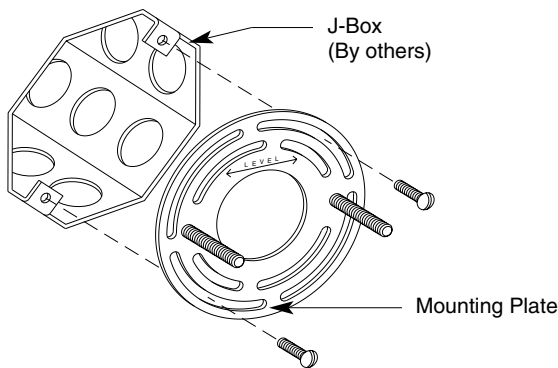
SURFACE UNITS for Catalog Numbers WF20S, WF21S & WF22S

WARNING: Fixtures must be grounded in accordance with local codes or the National Electrical Code. Failure to do so may result in serious personal injury.

NOTE: Keep this sheet for future reference.

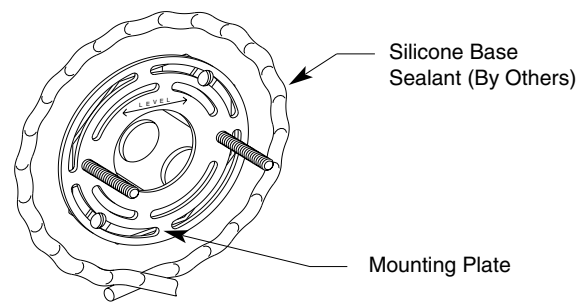
- Tools Required:**
- Flat Blade Screwdriver
 - 1/8" Allen Wrench
 - 7/16" Socket & Ratchet
 - Silicone Based Sealant

1. Mounting Plate Installation



Install mounting plate to J-box using screws provided with J-box. Make sure that threaded studs projecting from plate are **horizontally level**.

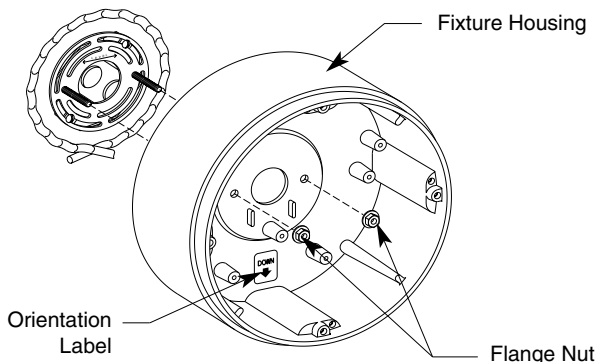
2. Sealant Application



Apply silicone base sealant (by others) about 1" away from mounting plate to prevent water intrusion.

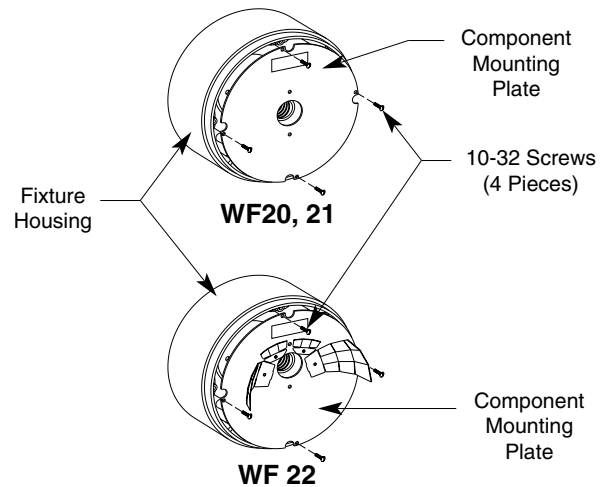
NOTE: In conformance with UL Standard 1570, 1571, & 1572, a silicone base sealant must be used between fixture and supporting wall.

3. Fixture Housing Installation



Install fixture housing to mounting plate. (Note orientation label on inside of housing.) Pull electrical wires into housing. Press housing to wall, rocking gently to seal caulking. Use flange nuts to tighten housing to wall. Do not over tighten.

4. Component Mounting Plate Installation



1. Connect wires i.e.; green-to-ground, white-to-common, and black-to-voltage.
2. Install component mounting plate using the 10-32 screws provided in housing (4 places). Pay special attention to orientation of WF22.

Wall Forms® Round - WF20 Series Installation Instructions

5. Lamp Installation

⚠ Make certain electricity is **OFF** before starting lamp installation.

1. Screw the proper lamp (as per fixture label on housing) into the socket and tighten the lamp sufficiently to ensure a vibration-safe installation.
2. After tightening, gently adjust both horizontal and vertical lamp positions so the lamp is centered in the fixture.

6. Face Frame Installation

1. Mount face frame to housing with socket head screws provided. Tighten securely to prevent water infiltration.

Note: The "normal" orientation of types WF21 & WF22 is with the light directed down.

WARNING:

This H.I.D. / Fluorescent fixture utilizes a lamp that may contain mercury. For information on disposal of lamp, go to website: www.lamprecycle.org

KIM LIGHTING LIMITED WARRANTY

When installed in accordance with Kim Installation Instructions and accepted trade practices, the following shall apply:

General Product Limited Warranty Coverage

All material and component parts used in the manufacture of Kim Products, are warranted to be free from defects of material and/or workmanship for a period of 1 year from date of sale, with the following exceptions:

Auxiliary Equipment

All auxiliary equipment (such as lamps, ballasts, and transformers) provided by and/or included in Kim Products shall carry the component manufacturer's warranty.

Copper and Bronze Landscape Components

Copper and Bronze Landscape fixture components shall be warranted against defects of material and/or workmanship, and failure due to corrosion, for a period of 25 years from date of sale.

Composite In-Grade Components

Composite In-Grade fixture components installed below grade, shall be warranted against defects of material and/or workmanship, and failure due to corrosion, for a period of 7 years from date of sale.

Aluminum Landscape Components

Aluminum Landscape fixture components not in direct contact with soil, shall be warranted against defects of material and/or workmanship for a period of 3 years from date of sale. Aluminum fixture components in direct contact with soil shall be warranted from defects of material and failure from corrosion for a period of 1 year from date of sale.

Limit of Liability and General Conditions

Only products which are installed, used and maintained in accordance with applicable Kim instructions, specifications and accepted trade practices, are covered by the Kim Warranty. During the warranty period, with proof of purchase, Kim will repair or replace with the same or similar product, at Kim's option, without charge. Labor costs are the owner's responsibility and are excluded from this warranty. This warranty is void if the product is modified, tampered with, misapplied, poorly installed, improperly maintained, or subjected to abnormal conditions.

Repair or replacement as provided under this warranty is the exclusive remedy of the purchaser. This warranty is in lieu of all other warranties, expressed or implied, including any implied warranty of fitness for a particular application. Kim Lighting shall not be liable to the purchaser for indirect or consequential damages.



How may we serve you better?
Please let us know. Visit our website at:
www.kimlighting.com
Your input matters to us.