

Type:
Job:
Fixture Catalog number:

Fixture and Finish

Fixture Options:

Ordered Separately from Fixture
 See pages 2-3

Mounting Options:

Ordered Separately from Fixture
 See pages 4-6

Approvals:

Date:
Page: 1 of 6

Specifications

Housing: Die-cast aluminum body, lamp housing and socket enclosure.

Swivel: Die-cast aluminum with locking teeth and 1/2" solid brass NPT mount. Provides horizontal rotation independent of the threaded mount. Swivel locked by J-20 stainless set screw. Clear anodized prior to powder coating for added corrosion resistance.

Lens Frame: Integral die-cast aluminum lens ring and glare shield.

Lens: Tempered clear soda lime glass with silicone gasket. Flush with lens frame to promote water runoff when positioned upward.

Gasketing: Silicone gaskets used throughout.

Socket: Nickel plated brass/porcelain socket. 4KV pulse rated.

Wiring: No. 18AWM rated 105°C.

Finish: Super TGIC thermoset polyester powder coat paint, 2.5 mil nominal thickness, applied over a titanated zirconium conversion coating; 2500 hour salt spray test endurance rating. Standard colors are Black (**BL**), Dark Bronze (**DB**), and Verde Green (**GR**).

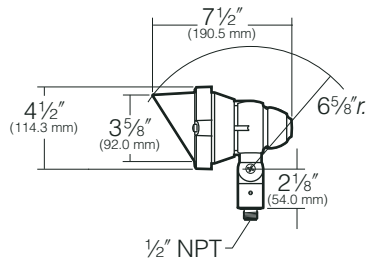
Certification: UL Listed to U.S. and Canadian safety standards for wet locations.

ORDERING INFORMATION

Fixture	Finish
<input type="checkbox"/> EL720BL	Black
<input type="checkbox"/> EL720DB	Dark Bronze
<input type="checkbox"/> EL720GR	Verde Green

Wattage / Lamp

35W - 50W
 PAR20
 Halogen



U.S. PATENT D424,731

KIM LIGHTING RESERVES THE RIGHT TO CHANGE SPECIFICATIONS WITHOUT NOTICE.

Type:

Job:

Page: 2 of 6



Fixture Options

Ordered Separately from Fixture

Lens Accessories
 Cat. No. (See right)
 No Option

HL72 - Hex Cell Louver: Constructed of hex cell aluminum louvers providing 45° cutoff, mounted in a circular frame, finished in baked high-heat flat black. Can be used in combination with colored lenses. Inserts behind lens into lens gasket. Cannot be used in combination with **SL** spread or **PL** prismatic lenses.



Cat. No.

HL72 Hex Cell Louver

PL72 - Prismatic Lens: Softens lamp distribution and flattens beam spread. Best with flood lamps. Inserts behind lens into lens gasket. Cannot be used in combination with **HL72** louver.



Cat. No.

PL72 Prismatic Lens

SL72 - Spread Lens: Creates an oval beam pattern, more narrow in one beam axis. Best with spot lamps. Inserts behind lens into lens gasket. Cannot be used in combination with **HL72** louver.



Cat. No.

SL72 Spread Lens

Type:

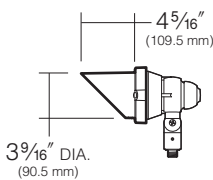
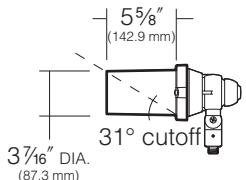

Job:

Page: 3 of 6



Fixture Options

Ordered Separately from Fixture

<p>Aluminum Adjustable Glare Shield</p> <p>Cat. No. Finish</p> <p><input type="checkbox"/> AGS72BL Black</p> <p><input type="checkbox"/> AGS72DB Dark Bronze</p> <p><input type="checkbox"/> AGS72GR Verde Green</p> <p><input type="checkbox"/> No Option</p>	<p>Spun aluminum shield with 45° cut and drain hole. Includes die-cast low copper alloy (< 0.6%) aluminum lens ring. The shield is rotatable 360°. Replaces standard lens ring/hood on fixture.</p>	
<p>Aluminum Full Glare Shield</p> <p>Cat. No. Finish</p> <p><input type="checkbox"/> FGS72BL Black</p> <p><input type="checkbox"/> FGS72DB Dark Bronze</p> <p><input type="checkbox"/> FGS72GR Verde Green</p> <p><input type="checkbox"/> No Option</p>	<p>Spun aluminum shield with drain hole. Includes die-cast low copper aluminum lens ring. Replaces standard lens ring/hood on fixture.</p>	
<p>Debris Screen</p> <p>Cat. No. Finish</p> <p><input type="checkbox"/> DS72 Black</p> <p><input type="checkbox"/> No Option</p>	<p>Stainless steel wire screen welded to flange, and held in place with spring clips. Screen inserts inside full glare shield only. All debris screens are black iridite colored.</p>	

Type:

Job:

Page: 4 of 6



Mounting Options

Ordered Separately from Fixture

Landscape Light Post by Engineered Products Co.

Cat. No.

EP17

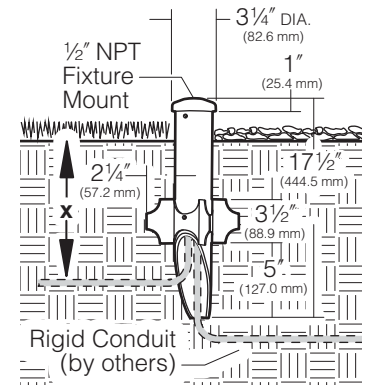
No Option

PVC fixture molded in black with 1/2" NPT mount is corrosion free and UV resistant. Replaces EMT, conduit connectors and weatherproof boxes. 100% shatter resistant against denting and cracking. Angled bottom to eliminate cable congestion.

17 1/2" post length

NOTE: EP17 should be used with a UL listed fixture and grounding means (i.e., third wire) suitable for use in wet locations.

"x" = required depth of conduit per local code.



Architectural Junction Box

Cat. No.

Finish

JB1/BL

Black

JB1/DB

Dark Bronze

JB1/GR

Verde Green

No Option

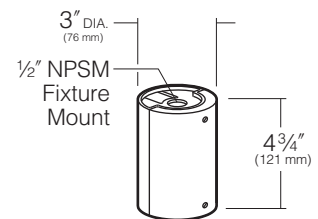
Die-cast aluminum with 1/2" NPSM fixture mount. Internal set screw provided for locking position. Two 1/2" NPSM in bottom, 17 cu in. internal volume. Super TGIC powder coat paint over clear anodizing and titanated zirconium conversion coating.

NOTE: May also be used to hard mount low voltage fixtures.

Application Notes

- Elevates Accent Lights above ground cover to prevent foliage from blocking the light.
- Elevates Path Lights above ground cover to achieve a greater light throw.

CAUTION: junction box must be installed high enough to avoid contact with soil or standing water.



Portable Spear Mount

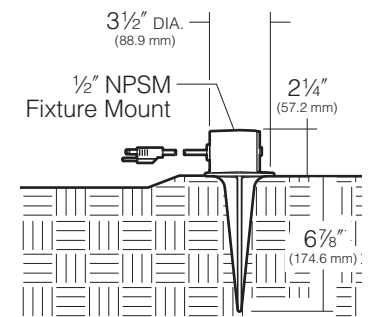
Cat. No.

J-25N

No Option

Cast iron with 1/2" NPSM fixture mount. Hot dip galvanized finish. 5.5 cu in. splice compartment. (SJTW-A) 3 wire cord and plug.

9' cord length



Type:

Job:

Page: 5 of 6



Mounting Options

Ordered Separately from Fixture

Brass In-grade Architectural Junction Box

Cat. No.

- JBR-2
- JBR-3
- JBR-21
- JBR-24
- No Option

Die-cast brass with 1/2" NPSM fixture mount and die-cast cover. Internal set screw provided for locking position. 18 cu in. internal volume.

- JBR-2** (2) 1/2" NPT in bottom
- JBR-3** (2) 3/4" NPT in bottom
- JBR-21** (2) 1/2" NPT in sides, (2) 1/2" NPT in bottom
- JBR-24** (4) 1/2" NPT in sides, (2) 1/2" NPT in bottom

All side taps provided with plugs.

NOTE: May also be used to hard mount low voltage fixtures.

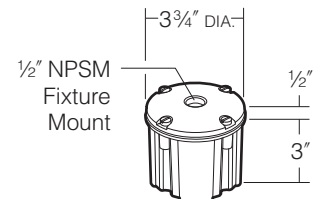
25 Year Limited Warranty:

Solid brass junction boxes are warranted for 25 years, from date of sale, against manufacturing defects and failure due to corrosion.

Application Notes

- Creates a flush-mounted appearance.
- May be cast in concrete for increased stability.

CAUTION: Fixture stem and swivel must not contact soil or standing water. Provide drainage away from junction box.



Brass In-grade Staked Junction Box

Cat. No.

- JBR30
- No Option

JBR30 BRASS IN-GRADE STAKED JUNCTION BOX

Die-cast brass with 1/2" NPSM fixture mount and die-cast cover. Internal set screw provided for locking position. 18 cu in. internal volume.

(2) 1/2" NPT in bottom with (2) 19" long brass stakes

NOTE: May also be used to hard mount low voltage fixtures.

JBR32 BRASS IN-GRADE STAKED JUNCTION BOX WITH CORD

Brass In-grade Staked Junction Box with Cord

Cat. No.

- JBR32
- No Option

Die-cast brass with 1/2" NPSM fixture mount and die-cast cover. Internal set screw provided for locking position. 18 cu in. internal volume. (SJTW-A) 3 wire cord and plug.

(2) 19" long brass stakes with 9' cord

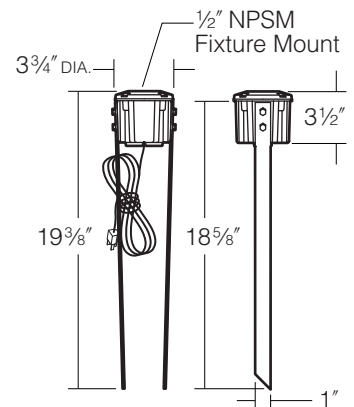
25 Year Limited Warranty:

Solid brass junction boxes are warranted for 25 years, from date of sale, against manufacturing defects and failure due to corrosion.

Application Notes

- Creates a flush-mounted appearance.
- May be cast in concrete for increased stability.

CAUTION: Fixture stem and swivel must not contact soil or standing water. Provide drainage away from junction box.



Type:

Job:

Page: 6 of 6



Mounting Options

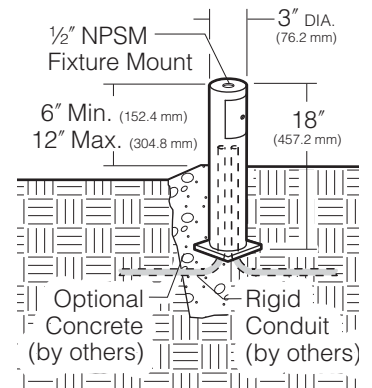
Ordered Separately from Fixture

Stanchion Mount

- Cat. No. Finish
- SM18/BL** Black
- SM18/DB** Dark Bronze
- SM18/GR** Verde Green
- No Option**

3" O.D. by .188" wall cast aluminum with 1/2" NPSM fixture mount and hand hole with flush cover. Internal set screw fixture lock accessible through hand hole. Internal ground lug supplied with installed lead. Super TGIC powder coat paint over clear anodizing and titanated zirconium conversion coating.

NOTE: May also be used to hard mount low voltage fixtures.

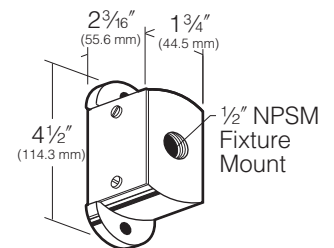


Surface Mount

- Cat. No. Finish
- J-27N/BL** Black
- J-27N/DB** Dark Bronze
- J-27N/GR** Verde Green
- No Option**

Cast aluminum with 1/2" NPSM fixture mount. Internal set screw provided for locking position. 5 cu in. internal volume. Super TGIC powder coat paint over clear anodizing and titanated zirconium conversion coating.

NOTE: May also be used to hard mount low voltage fixtures.



Architectural Wall Mount

- Cat. No. Finish
- JW/BL** Black
- JW/DB** Dark Bronze
- JW/GR** Verde Green
- No Option**

Die-cast aluminum with 1/2" NPSM fixture mount. Internal set screw provided for locking position. Canopy attaches to stainless steel wall plate for mounting to any standard electrical outlet box. Super TGIC powder coat paint over titanated zirconium conversion coating.

NOTE: May also be used to hard mount low voltage fixtures.

