

Type:
 Job:

Fixture Options:

Ordered Separately from Fixture
 See pages 2-3

Approvals:

Fixture Catalog number:

 Fixture / Finish

Mounting Options:

Ordered Separately from Fixture
 See pages 4-6

Date:
Page: 1 of 6

Specifications

Housing: Die-cast brass body, lamp housing and socket enclosure.

Swivel: Die-cast brass with locking teeth and 1/2" solid brass NPT mount. Provides horizontal rotation independent of the threaded mount. Swivel locked by 1/4-20 stainless set screw.

Lens Frame: Integral die-cast brass lens ring and glare shield.

Lens: Tempered clear soda lime glass with silicone gasket. Flush with lens frame to promote water runoff when positioned upward.

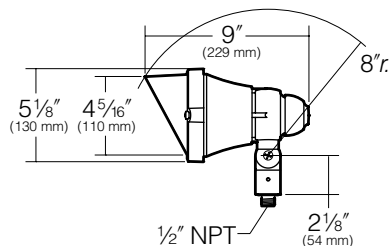
Gasketing: Silicone gaskets used throughout.

Socket: **C735** Nickel plated brass/porcelain socket. 4KV pulse rated.

Wiring: No. 18AWM rated 105°C.

Finish: Natural Brass (**NB**) and Verde Green Patina (**VG**).

Certification: UL Listed to U.S. and Canadian safety standards for wet locations.



ORDERING INFORMATION

Fixture	Lamp
<input type="checkbox"/> C735	50W-75W, PAR30 Halogen

Finish

- NB**- Natural Brass
 VG - Verde Green Patina



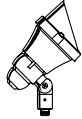
U.S. PATENT D424,731

KIM LIGHTING RESERVES THE RIGHT TO CHANGE SPECIFICATIONS WITHOUT NOTICE.

Type:

Job:

Page: 2 of 6



Fixture Options

Ordered Separately from Fixture

Lens Accessories
 Cat. No. (See right)
 No Option}

HL73 - Hex Cell Louver: Constructed of hex cell aluminum louvers providing 45° cutoff, mounted in a circular frame, finished in baked high-heat flat black. Can be used in combination with colored lenses. Inserts behind lens into lens gasket. Cannot be used in combination with **SL** spread or **PL** prismatic lenses.



Cat. No.

HL73 Hex Cell Louver

PL73 - Prismatic Lens: Softens lamp distribution and flattens beam spread. Best with flood lamps. Inserts behind lens into lens gasket. Cannot be used in combination with **HL73** louver.



Cat. No.

PL73 Prismatic Lens

SL73 - Spread Lens: Creates an oval beam pattern, more narrow in one beam axis. Best with spot lamps. Inserts behind lens into lens gasket. Cannot be used in combination with **HL73** louver.



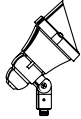
Cat. No.

SL73 Spread Lens

Type:

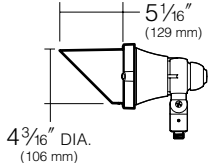
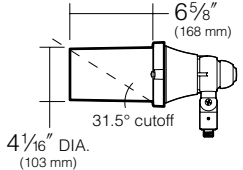

Job:

Page: 3 of 6



Fixture Options

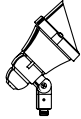
Ordered Separately from Fixture

<p>Copper Adjustable Glare Shield</p> <p>Cat. No. Finish</p> <p><input type="checkbox"/> AGS73NB Natural Copper and Brass</p> <p><input type="checkbox"/> AGS73VG Verde Green Patina</p> <p><input type="checkbox"/> No Option</p>	<p>Spun copper shield with 45° cut and drain hole. Includes die-cast brass lens ring. The shield is rotatable 360°. Replaces standard lens ring/hood on fixture.</p>	
<p>Copper Full Glare Shield</p> <p>Cat. No. Finish</p> <p><input type="checkbox"/> FGS73NB Natural Copper and Brass</p> <p><input type="checkbox"/> FGS73VG Verde Green Patina</p> <p><input type="checkbox"/> No Option†</p>	<p>Spun copper shield with drain hole. Includes die-cast brass lens ring. Replaces standard lens ring/hood on fixture.</p>	
<p>Debris Screen</p> <p>Cat. No. Finish</p> <p><input type="checkbox"/> DS73 Black</p> <p><input type="checkbox"/> No Option</p>	<p>Stainless steel wire screen welded to flange, and held in place with spring clips. Screen inserts inside full glare shield only. All debris screens are black iridite colored.</p>	

Type:

Job:

Page: 4 of 6



Mounting Options

Ordered Separately from Fixture†

Landscape Light Post by Engineered Products Co.

Cat. No.

EP17

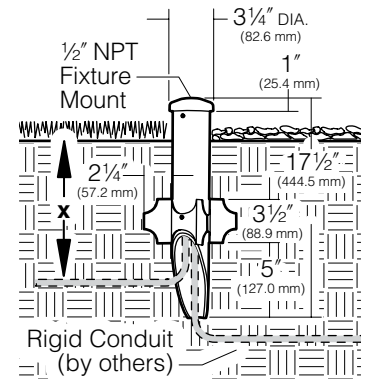
No Option'

PVC fixture molded in black with 1/2" NPT mount is corrosion free and UV resistant. Replaces EMT, conduit connectors and weatherproof boxes. 100% shatter resistant against denting and cracking. Angled bottom to eliminate cable congestion.

17 1/2" post length

NOTE: EP17 should be used with a UL listed fixture and grounding means (i.e., third wire) suitable for use in wet locations.

"x" = required depth of conduit per local code.



Architectural Junction Box

Cat. No.

Finish

JB1/BL

Black

JB1/DB

Dark Bronze

JB1/GR

Verde

Green

No Option

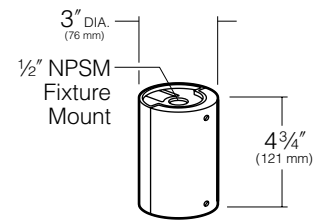
Die-cast aluminum with 1/2" NPSM fixture mount. Internal set screw provided for locking position. Two 1/2" NPSM in bottom, 17 cu in. internal volume. Super TGIC powder coat paint over clear anodizing and titanated zirconium conversion coating.

NOTE: May also be used to hard mount low voltage fixtures.

Application Notes

- Elevates Accent Lights above ground cover to prevent foliage from blocking the light.
- Elevates Path Lights above ground cover to achieve a greater light throw.

CAUTION: Junction box must be installed high enough to avoid contact with soil or standing water.



Portable Spear Mount

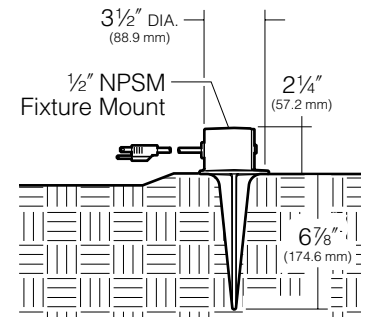
Cat. No.

J-25N

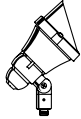
No Option

Cast iron with 1/2" NPSM fixture mount. Hot dip galvanized finish. 5.5 cu in. splice compartment. (SJTW-A) 3 wire cord and plug.

9' cord length



Type:
 Job:



Mounting Options

Ordered Separately from Fixture†

Brass In-grade Architectural Junction Box

Cat. No.

- JBR-2
- JBR-3
- JBR-21
- JBR-24
- No Option[∞]

Die-cast brass with 1/2" NPSM fixture mount and die-cast cover. Internal set screw provided for locking position. 18 cu in. internal volume.

- JBR-2** (2) 1/2" NPT in bottom
- JBR-3** (2) 3/4" NPT in bottom
- JBR-21** (2) 1/2" NPT in sides, (2) 1/2" NPT in bottom
- JBR-24** (4) 1/2" NPT in sides, (2) 1/2" NPT in bottom

All side taps provided with plugs.

NOTE: May also be used to hard mount low voltage fixtures.

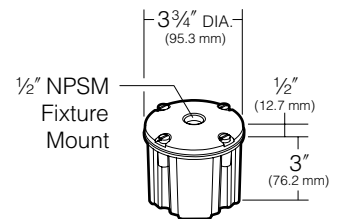
25 Year Limited Warranty:

Solid brass junction boxes are warranted for 25 years, from date of sale, against manufacturing defects and failure due to corrosion.

Application Notes

- Creates a flush-mounted appearance.
- May be cast in concrete for increased stability.

CAUTION: Fixture stem and swivel must not contact soil or standing water. Provide drainage away from junction box.



Brass In-grade Staked Junction Box

Cat. No.

- JBR30
- No Option

JBR30 BRASS IN-GRADE STAKED JUNCTION BOX

Die-cast brass with 1/2" NPSM fixture mount and die-cast cover. Internal set screw provided for locking position. 18 cu in. internal volume.

(2) 1/2" NPT in bottom with (2) 19" long brass stakes

NOTE: May also be used to hard mount low voltage fixtures.

JBR32 BRASS IN-GRADE STAKED JUNCTION BOX WITH CORD

Brass In-grade Staked Junction Box with Cord

Cat. No.

- JBR32
- No Option

Die-cast brass with 1/2" NPSM fixture mount and die-cast cover. Internal set screw provided for locking position. 18 cu in. internal volume. (SJTW-A) 3 wire cord and plug.

(2) 19" long brass stakes with 9' cord

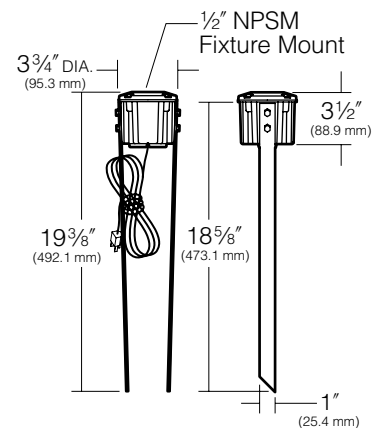
25 Year Limited Warranty:

Solid brass junction boxes are warranted for 25 years, from date of sale, against manufacturing defects and failure due to corrosion.

Application Notes

- Creates a flush-mounted appearance.
- May be cast in concrete for increased stability.

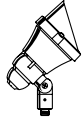
CAUTION: Fixture stem and swivel must not contact soil or standing water. Provide drainage away from junction box.



Type:

Job:

Page: 6 of 6



Mounting Options

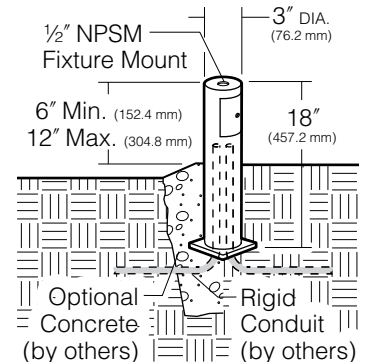
Ordered Separately from Fixture†

Stanchion Mount

- Cat. No. Finish
- SM18/BL** Black
- SM18/DB** Dark Bronze
- SM18/GR** Verde Green
- No Option**

3" O.D. by .188" wall cast aluminum with 1/2" NPSM fixture mount and hand hole with flush cover. Internal set screw fixture lock accessible through hand hole. Internal ground lug supplied with installed lead. Super TGIC powder coat paint over clear anodizing and titanated zirconium conversion coating.

NOTE: May also be used to hard mount low voltage fixtures.

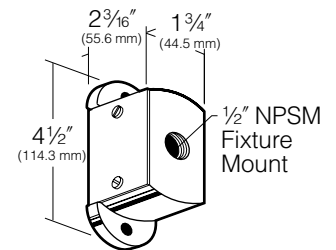


Surface Mount

- Cat. No. Finish
- J-27N/BL** Black
- J-27N/DB** Dark Bronze
- J-27N/GR** Verde Green
- No Option**

Cast aluminum with 1/2" NPSM fixture mount. Internal set screw provided for locking position. 5 cu in. internal volume. Super TGIC powder coat paint over clear anodizing and titanated zirconium conversion coating.

NOTE: May also be used to hard mount low voltage fixtures.



Brass Architectural Wall Mount

- Cat. No. Finish
- JWBR/NB** Natural Brass
- JWBR/VG** Verde Green Patina
- No Option**

Die-cast brass with 1/2" NPSM fixture mount. Internal set screw provided for locking position. Canopy attaches to stainless steel wall plate for mounting to any standard electrical outlet box.

NOTE: May also be used to hard mount low voltage fixtures.

