

Type: Job: Fixture Catalog number: <hr/> Fixture and Finish	Fixture Options: <hr/> Ordered Separately from Fixture See page 2	Approvals: Date: Page: 1 of 5
	Mounting Options: <hr/> Ordered Separately from Fixture See pages 3-5	

Specifications

Lamp Housing: Die-cast brass with die-cast cover, stainless steel fasteners and stainless steel set screw lock for aiming pivot.

Aiming: Aimable 358° vertically, horizontal aiming controlled by installation on mounting device.

Ravenna Yoke: Cast brass, stainless steel fasteners and 1/2" NPSM brass nipple mount.

Lens: Tempered glass, 1/8" nominal thickness.

Gasketing: Silicone gaskets used throughout.

Socket: G4 to GY6.35 socket for bipin lamp.

Transformer: Remote transformer required.

Wiring: 6' No. 18-2 12 volt cable with spade connectors for low voltage cable system connection.

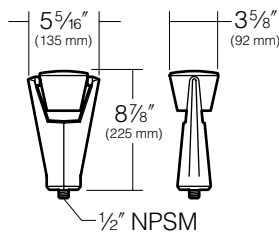
Finish: Natural Brass (**NB**) or Verde Green Patina (**VG**).

Certification: UL Listed to U.S. and Canadian safety standards for wet locations.

ORDERING INFORMATION

Fixture ¹	Lamp	Finish
<input type="checkbox"/> KLV275NB	20W-50W MR16 Bipin Halogen	Natural Brass
<input type="checkbox"/> KLV275VG	20W-50W MR16 Bipin Halogen	Verde Green Patina

¹Remote transformer required.



U.S. PATENT D407,842

KIM LIGHTING RESERVES THE RIGHT TO CHANGE SPECIFICATIONS WITHOUT NOTICE.

Type:
 Job:



Fixture Options

Ordered Separately from Fixture

<p>Lens Accessories Cat. No. (See right) <input type="checkbox"/> No Option</p>	<p>HL - Hex Cell Louver: Constructed of hex cell aluminum louvers providing 45° cutoff, mounted in a circular frame, finished in baked high-heat flat black. Can be used in combination with colored lenses. Inserts behind lens Cat. No. <input type="checkbox"/> HL Hex Cell Louver</p> <hr/> <p>PL - Prismatic Lens: Softens lamp distribution and flattens beam spread. Best with flood lamps. Replaces standard lens. Cannot be used in combination with HL louver. Cat. No. <input type="checkbox"/> PL Prismatic Lens</p> <hr/> <p>SL - Spread Lens: Creates an oval beam pattern, more narrow in one beam axis. Best with spot lamps Replaces standard lens. Cannot be used in combination with HL louver. Cat. No. <input type="checkbox"/> SL Spread Lens</p>
<p>Transformer Options</p>	<p>See "12-15 Volt Variable Transformers" on kimlighting.com - Product Specifications - Landscape 12 Volt-120Volt section.</p>



Type:
 Job:



Mounting Options

Ordered Separately from Fixture

<p>Landscape Light Post by Engineered Products Co.</p> <p>Cat. No. <input type="checkbox"/> EP17 <input type="checkbox"/> No Option</p>	<p>PVC fixture molded in black with 1/2" NPT mount is corrosion free and UV resistant. Replaces EMT, conduit connectors and weatherproof boxes. 100% shatter resistant against denting and cracking. Angled bottom to eliminate cable congestion.</p> <p>17 1/2" post length</p>	
<p>Low Voltage Spear Mount</p> <p>Cat. No. Finish <input type="checkbox"/> KLV400BL Black <input type="checkbox"/> KLV400DB Dark Bronze <input type="checkbox"/> KLV400GR Verde Green <input type="checkbox"/> No Option</p>	<p>Die-cast low copper aluminum with 1/2" NPSM fixture mount. Stainless steel set screw locks fixture into mount. Cable slot allows easy fixture mounting before or after installation in ground. Super TGIC powder coat paint over clear anodizing and titanated zirconium conversion coating.</p> <p>Spear Mounting in Concrete The KLV400 must be installed in concrete.</p>	
<p>Low Voltage Surface Mount</p> <p>Cat. No. Finish <input type="checkbox"/> KLV405BL Black <input type="checkbox"/> KLV405DB Dark Bronze <input type="checkbox"/> KLV405GR Verde Green <input type="checkbox"/> No Option</p>	<p>Die-cast low copper aluminum with 1/2" NPSM fixture mount. Stainless steel set screw locks fixture into mount. Two holes provided for flat head wood screws. Super TGIC powder coat paint over clear anodizing and titanated zirconium conversion coating.</p>	
<p>Extension Module</p> <p>Cat. No. Finish <input type="checkbox"/> KLV415BL Black <input type="checkbox"/> KLV415DB Dark Bronze <input type="checkbox"/> KLV415GR Verde Green <input type="checkbox"/> No Option</p>	<p>For raising fixtures to a height above foliage for efficient and unobstructed operation. Constructed of 1 5/8" diameter extruded aluminum with die-cast ends. 1/2" NPSM female thread on one end, and other end has a 1/2" NPSM solid brass nipple. Stainless steel allen head set screw locks fixture onto mount. Super TGIC powder coat paint over titanated zirconium conversion coating. Two modules may be stacked for additional height.</p>	

Type:

Job:



Mounting Options

Ordered Separately from Fixture

Brass In-grade Architectural Junction Box

Cat. No.

- JBR-2
- JBR-3
- JBR-21
- JBR-24
- No Option

Die-cast brass with 1/2" NPSM fixture mount and die-cast cover. Internal set screw provided for locking position. 18 cu in. internal volume.

- JBR-2** (2) 1/2" NPT in bottom
- JBR-3** (2) 3/4" NPT in bottom
- JBR-21** (2) 1/2" NPT in sides, (2) 1/2" NPT in bottom
- JBR-24** (4) 1/2" NPT in sides, (2) 1/2" NPT in bottom

All side taps provided with plugs.

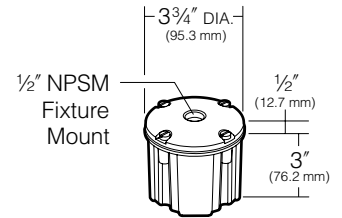
25 Year Limited Warranty:

Solid brass junction boxes are warranted for 25 years, from date of sale, against manufacturing defects and failure due to corrosion.

Application Notes

- Creates a flush-mounted appearance.
- May be cast in concrete for increased stability.

CAUTION: Fixture stem and swivel must not contact soil or standing water. Provide drainage away from junction box.



Brass In-grade Staked Junction Box

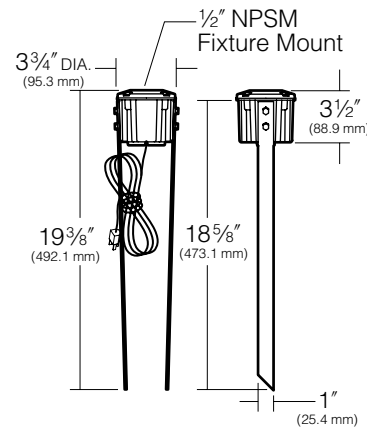
Cat. No.

- JBR30
- No Option

JBR30 BRASS IN-GRADE STAKED JUNCTION BOX

Die-cast brass with 1/2" NPSM fixture mount and die-cast cover. Internal set screw provided for locking position. 18 cu in. internal volume.

(2) 1/2" NPT in bottom with (2) 19" long brass stakes



Type:
 Job:



Mounting Options

Ordered Separately from Fixture

Stanchion Mount

- | | |
|---|-------------|
| Cat. No. | Finish |
| <input type="checkbox"/> SM18/BL | Black |
| <input type="checkbox"/> SM18/DB | Dark Bronze |
| <input type="checkbox"/> SM18/GR | Verde Green |
| <input type="checkbox"/> No Option | |

3" O.D. by .188" wall cast aluminum with 1/2" NPSM fixture mount and hand hole with flush cover. Internal set screw fixture lock accessible through hand hole. Internal ground lug supplied with installed lead. Super TGIC powder coat paint over clear anodizing and titanated zirconium conversion coating.

