

Type:
Job:

Fixture Options:

Ordered Separately from Fixture
See page 2

Approvals:

Fixture Catalog number:

Mounting Options:

Ordered Separately from Fixture
See pages 3-5

Fixture and Finish

Date:
Page: 1 of 5

Specifications

Lamp Housing: Die-cast low copper aluminum with die-cast cover, stainless steel fasteners, and stainless steel set screw lock for aiming pivot.

Aiming: Aimable 358° vertically, horizontal aiming controlled by installation on mounting device.

Ravenna Yoke: Cast aluminum, stainless steel fasteners and 1/2" NPSM brass nipple mount.

Lens: Tempered glass, 1/8" nominal thickness.

Gasketing: Silicone gaskets used throughout.

Socket: G4 to GY6.35 socket for bipin lamp.

Transformer: Remote transformer required.

Wiring: 6' No. 18-2 12 volt cable with spade connectors for low voltage cable system connection.

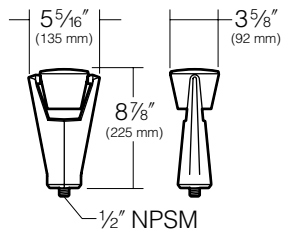
Finish: Super TGIC thermoset polyester powder coat paint, 2.5 mil nominal thickness, applied over a titanated zirconium conversion coating; 2500 hour salt spray test endurance rating. Standard colors are Black (**BL**), Dark Bronze (**DB**), and Verde Green (**GR**).

Certification: UL Listed to U.S. and Canadian safety standards for wet locations.

ORDERING INFORMATION

Fixture ¹	Lamp	Finish
<input type="checkbox"/> KLV270BL	20W - 50W MR16 Bipin Halogen	Black
<input type="checkbox"/> KLV270DB	50W MR16 Bipin Halogen	Dark Bronze
<input type="checkbox"/> KLV270GR	50W MR16 Bipin Halogen	Verde Green

¹Remote transformer required.



U.S. PATENT D407,842

KIM LIGHTING RESERVES THE RIGHT TO CHANGE SPECIFICATIONS WITHOUT NOTICE.

Type:
 Job:



Fixture Options

Ordered Separately from Fixture

<p>Lens Accessories Cat. No. (See right) <input type="checkbox"/> No Option</p>	<p>HL - Hex Cell Louver: Constructed of hex cell aluminum louvers providing 45° cutoff, mounted in a circular frame, finished in baked high-heat flat black. Can be used in combination with colored lenses. Inserts behind lens. Cannot be used in combination with SL spread or PL prismatic lenses.</p> <p>Cat. No. <input type="checkbox"/> HL Hex Cell Louver</p> <hr/> <p>PL - Prismatic Lens: Softens lamp distribution and flattens beam spread. Best with flood lamps. Inserts behind lens. Cannot be used in combination with HL louver.</p> <p>Cat. No. <input type="checkbox"/> PL Prismatic Lens</p> <hr/> <p>SL - Spread Lens: Creates an oval beam pattern, more narrow in one beam axis. Best with spot lamps. Inserts behind lens. Cannot be used in combination with HL louver.</p> <p>Cat. No. <input type="checkbox"/> SL Spread Lens</p>
<p>Transformer Options</p>	<p>See "12-15 Volt Variable Transformers" on kimlighting.com - Product Specifications - Landscape 12 Volt-120Volt section.%</p>



Type:
 Job:



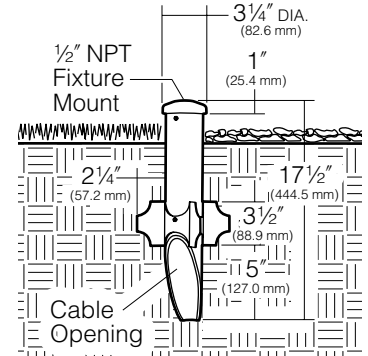
Mounting Options

Ordered Separately from Fixture

Landscape Light Post by Engineered Products Co.

- Cat. No.
 EP17
 No Option

PVC fixture molded in black with 1/2" NPT mount is corrosion free and UV resistant. Replaces EMT, conduit connectors and weatherproof boxes. 100% shatter resistant against denting and cracking. Angled bottom to eliminate cable congestion.
 17 1/2" post length

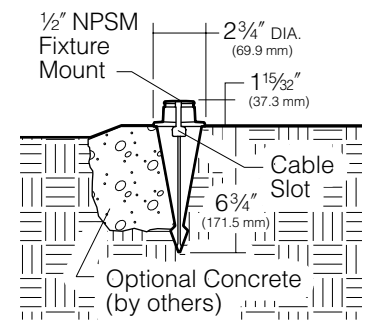


Low Voltage Spear Mount

- Cat. No. Finish
 KLV400BL Black
 KLV400DB Dark Bronze
 KLV400GR Verde Green
 No Option

Die-cast low copper aluminum with 1/2" NPSM fixture mount. Stainless steel set screw locks fixture into mount. Cable slot allows easy fixture mounting before or after installation in ground. Super TGIC powder coat paint over clear anodizing and titanated zirconium conversion coating.

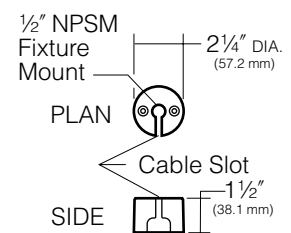
Spear Mounting in Concrete
 The KLV400 must be installed in concrete.



Low Voltage Surface Mount

- Cat. No. Finish
 KLV405BL Black
 KLV405DB Dark Bronze
 KLV405GR Verde Green
 No Option

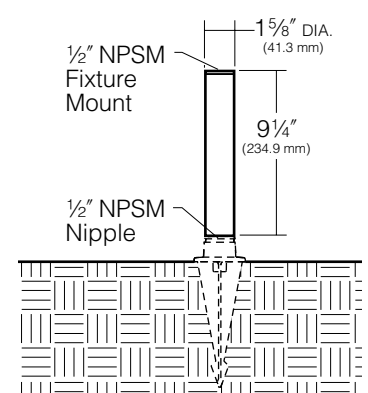
Die-cast low copper aluminum with 1/2" NPSM fixture mount. Stainless steel set screw locks fixture into mount. Two holes provided for flat head wood screws. Super TGIC powder coat paint over clear anodizing and titanated zirconium conversion coating.



Extension Module

- Cat. No. Finish
 KLV415BL Black
 KLV415DB Dark Bronze
 KLV415GR Verde Green
 No Option

For raising fixtures to a height above foliage for efficient and unobstructed operation. Constructed of 1 5/8" diameter extruded aluminum with die-cast ends. 1/2" NPSM female thread on one end, and other end has a 1/2" NPSM solid brass nipple. Stainless steel allen head set screw locks fixture onto mount. Super TGIC powder coat paint over titanated zirconium conversion coating. Two modules may be stacked for additional height.



Type:

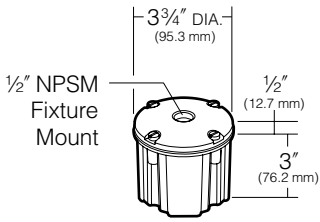
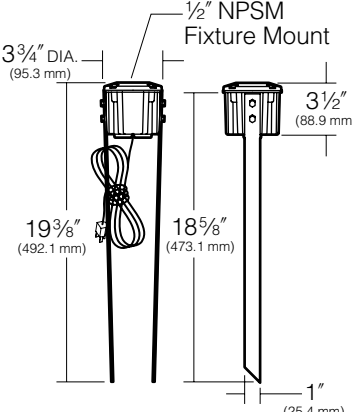
Job:

Page: 4 of 5



Mounting Options

Ordered Separately from Fixture

<p>Brass In-grade Architectural Junction Box</p> <p>Cat. No.</p> <p><input type="checkbox"/> JBR-2</p> <p><input type="checkbox"/> JBR-3</p> <p><input type="checkbox"/> JBR-21</p> <p><input type="checkbox"/> JBR-24</p> <p><input type="checkbox"/> No Option</p>	<p>Die-cast brass with 1/2" NPSM fixture mount and die-cast cover. Internal set screw provided for locking position. 18 cu in. internal volume.</p> <p>JBR-2 (2) 1/2" NPT in bottom JBR-3 (2) 3/4" NPT in bottom JBR-21 (2) 1/2" NPT in sides, (2) 1/2" NPT in bottom JBR-24 (4) 1/2" NPT in sides, (2) 1/2" NPT in bottom</p> <p>All side taps provided with plugs.</p> <p>25 Year Limited Warranty: Solid brass junction boxes are warranted for 25 years, from date of sale, against manufacturing defects and failure due to corrosion.</p> <p>Application Notes</p> <ul style="list-style-type: none"> • Creates a flush-mounted appearance. • May be cast in concrete for increased stability. <p>CAUTION: Fixture stem and swivel must not contact soil or standing water. Provide drainage away from junction box.</p>	
<p>Brass In-grade Staked Junction Box</p> <p>Cat. No.</p> <p><input type="checkbox"/> JBR30</p> <p><input type="checkbox"/> No Option</p>	<p>JBR30 BRASS IN-GRADE STAKED JUNCTION BOX</p> <p>Die-cast brass with 1/2" NPSM fixture mount and die-cast cover. Internal set screw provided for locking position. 18 cu in. internal volume.</p> <p>(2) 1/2" NPT in bottom with (2) 19" long brass stakes</p>	

Type:
 Job:



Mounting Options

Ordered Separately from Fixture

Stanchion Mount

- | | |
|---|-------------|
| Cat. No. | Finish |
| <input type="checkbox"/> SM18/BL | Black |
| <input type="checkbox"/> SM18/DB | Dark Bronze |
| <input type="checkbox"/> SM18/GR | Verde Green |
| <input type="checkbox"/> No Option | |

3" O.D. by .188" wall cast aluminum with 1/2" NPSM fixture mount and hand hole with flush cover. Internal set screw fixture lock accessible through hand hole. Internal ground lug supplied with installed lead. Super TGIC powder coat paint over clear anodizing and titanated zirconium conversion coating.

