

Type:  
Job:

**Fixture Options:**

Ordered Separately from Fixture  
See page 2

**Approvals:**

Fixture Catalog number:

**Mounting Options:**

Ordered Separately from Fixture  
See pages 3-4

Fixture and Finish

Date:  
Page: 1 of 4

## Specifications

**Lamp Housing:** Die-cast low copper aluminum, stainless steel fasteners and stainless steel set screw lock for aiming pivot.

**Aiming:** Aimable 358° vertically, horizontal aiming controlled by installation on mounting device.

**Ravenna Yoke:** Die-cast low copper aluminum, stainless steel fasteners and 1/2" NPSM brass nipple mount.

**Lens:** Tempered glass, 1/8" nominal thickness.

**Gasketing:** Silicone gaskets used throughout.

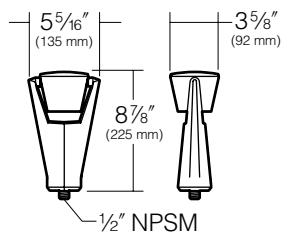
**Transformer:** 120 volt to 12 volt, 20 watt electronic stepdown transformer, enclosed and gasketed in yoke base.

**Wiring:** No. 18AWM rated 105°C.

**Driver/Optical System:** 3 LED emitters configured in a triangle array comprised together as a module. Each LED is encapsulated under a precision optical prism to produce a narrow flood pattern. The -40c driver is within the module and operates on 12V AC or DC current, 10 watt, 0.83 amp.

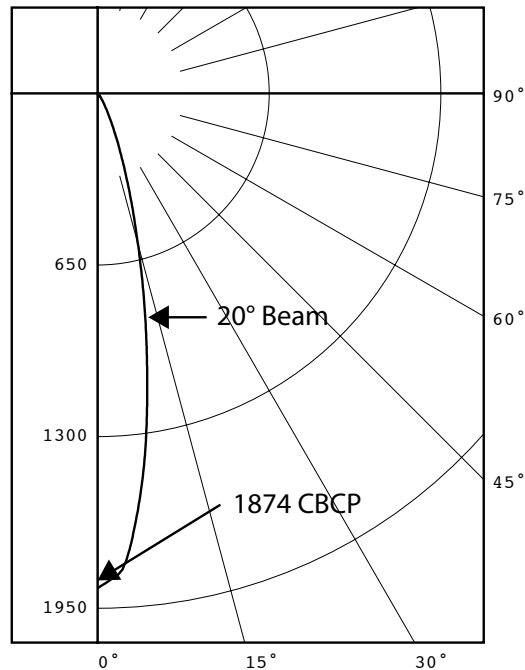
**Finish:** Each luminaire receives a fade and abrasion resistant, electrostatically applied, thermally cured, triglycidal isocyanurate (TGIC) polyester powdercoat finish. Standard colors include (BL) Black, (DB) Dark Bronze, Verde Green (GR).

**Certification:** UL Listed to U.S. and Canadian safety standards for wet locations.



## ORDERING INFORMATION

Fixture	Finish
<input type="checkbox"/> ELL271BL	Black
<input type="checkbox"/> ELL271DB	Dark Bronze
<input type="checkbox"/> ELL271GR	Verde Green



Catalog Number: ELL271  
 Report Number: k103894  
 Voltage: 120 Watts: 10 Amps: 0.083  
 Lumens: 394 CBCP: 1874 Beam: 20°  
 CCT: 3000K Efficacy: 39.4 Lm/W



U.S. PATENT D407,842

KIM LIGHTING RESERVES THE RIGHT TO CHANGE SPECIFICATIONS WITHOUT NOTICE.

Type:

Job:

Page: 2 of 4



## Fixture Options

Ordered Separately from Fixture

**Lens Accessories**  
 Cat. No. (See right)  
 No Option

**HL - Hex Cell Louver:** Constructed of hex cell aluminum louvers providing 45° cutoff, mounted in a circular frame, finished in baked high-heat flat black. Can be used in combination with colored lenses. Inserts behind lens. Cannot be used in combination with **SL** spread or **PL** prismatic lenses.



Cat. No.

**HL** Hex Cell Louver

**PL - Prismatic Lens:** Softens lamp distribution and flattens beam spread. Best with flood lamps. Inserts behind lens. Cannot be used in combination with **HL** louver.



Cat. No.

**PL** Prismatic Lens

**SL - Spread Lens:** Creates an oval beam pattern, more narrow in one beam axis. Best with spot lamps. Inserts behind lens. Cannot be used in combination with **HL** louver.



Cat. No.

**SL** Spread Lens

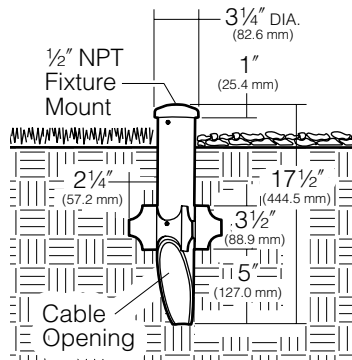
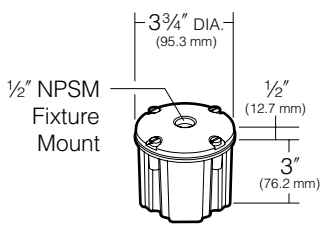
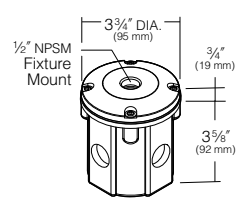
Type:

Job:



## Mounting Options

Ordered Separately from Fixture

<p><b>Landscape Light Post by Engineered Products Co.</b>          Cat. No.  <input type="checkbox"/> EP17  <input type="checkbox"/> No Option</p>	<p>PVC fixture molded in black with 1/2" NPT mount is corrosion free and UV resistant. Replaces EMT, conduit connectors and weatherproof boxes. 100% shatter resistant against denting and cracking. Angled bottom to eliminate cable congestion.          17 1/2" post length</p>	
<p><b>Brass In-grade Architectural Junction Box</b>          Cat. No.  <input type="checkbox"/> JBR-2  <input type="checkbox"/> JBR-3  <input type="checkbox"/> JBR-21  <input type="checkbox"/> JBR-24  <input type="checkbox"/> No Option</p>	<p>Die-cast brass with 1/2" NPSM fixture mount and die-cast cover. Internal set screw provided for locking position. 18 cu in. internal volume.  <b>JBR-2</b> (2) 1/2" NPT in bottom  <b>JBR-3</b> (2) 3/4" NPT in bottom  <b>JBR-21</b> (2) 1/2" NPT in sides, (2) 1/2" NPT in bottom  <b>JBR-24</b> (4) 1/2" NPT in sides, (2) 1/2" NPT in bottom          All side taps provided with plugs.  <b>25 Year Limited Warranty:</b>          Solid brass junction boxes are warranted for 25 years, from date of sale, against manufacturing defects and failure due to corrosion.  <b>Application Notes</b>  <ul style="list-style-type: none"> <li>• Creates a flush-mounted appearance.</li> <li>• May be cast in concrete for increased stability.</li> </ul> <b>CAUTION:</b> Fixture stem and swivel must not contact soil or standing water. Provide drainage away from junction box.</p>	
<p><b>Composite In-Grade Architectural Junction Box</b>          Cat. No.  <input type="checkbox"/> JBR-4  <input type="checkbox"/> JBR-5  <input type="checkbox"/> No Option</p>	<p>Composite box with 1/2" NPSM fixture mount and composite cover. 19 cu in. internal volume.  <b>JBR-4</b> (2) 3/4" NPT knockouts in bottom.                    (4) 3/4" NPT knockouts on sides.  <b>JBR-5</b> Same as above but with brass cover.  <b>CAUTION:</b> Fixture stem and swivel must not contact soil or standing water. Provide drainage away from J-Box.</p>	

Type:  
 Job:



## Mounting Options

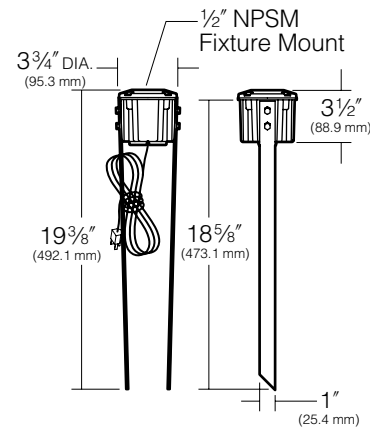
Ordered Separately from Fixture

### Brass In-grade Staked Junction Box

- Cat. No.  
 **JBR30**  
 **No Option**

### JBR30 BRASS IN-GRADE STAKED JUNCTION BOX

Die-cast brass with 1/2" NPSM fixture mount and die-cast cover. Internal set screw provided for locking position. 18 cu in. internal volume.  
 (2) 1/2" NPT in bottom with (2) 19" long brass stakes



### Stanchion Mount

- Cat. No.      Finish  
 **SM18/BL**      Black  
 **SM18/DB**      Dark Bronze  
 **SM18/GR**      Verde Green  
 **No Option**

3" O.D. by .188" wall cast aluminum with 1/2" NPSM fixture mount and hand hole with flush cover. Internal set screw fixture lock accessible through hand hole. Internal ground lug supplied with installed lead. Super TGIC powder coat paint over clear anodizing and titanated zirconium conversion coating.

