



# UNDERCABINET LIGHTING

SOLO-TASK LED  
12VAC, 3000K LED ARRAY  
**USTL1-3K, UK3STL-3K**  
**USTLR1-3K**

Project: \_\_\_\_\_

Fixture Type: \_\_\_\_\_

Location: \_\_\_\_\_

Contact/Phone: \_\_\_\_\_

## PRODUCT DESCRIPTION

The Solo-Task LED luminaire offers ultimate flexibility and efficiency for task and accent lighting. The diminutive size allows it to be used easily and unobtrusively in applications where lighting of both superior efficacy and quality is desired. Solo-Task LED luminaires approximate light levels of 20-watt halogen and xenon sources while using less than ¼ of the energy, and generates significantly less heat. The ability to use multiple Solo-Task LED luminaires together in a daisy-chain method makes installation simple and straightforward. Solo-Task LED luminaires are designed for maintenance free operation for 50,000 hours and can be ordered in surface mount or recessed mount configuration. A convenient all-in-one surface mount kit is also available.

## ENVIRONMENTALLY FRIENDLY, ENERGY EFFICIENT

- No harmful ultraviolet or infrared wavelengths
- No lead or mercury

## PRODUCT SPECIFICATIONS

**LED** 3000K white phosphor array provides outstanding performance, color quality/consistency and reliability • 85 CRI.

**Housing** Quality die-cast aluminum • Daisy-chain capable utilizing screw-type terminal blocks • Accepts 14AWG through 18AWG wire • Designer white, black, brushed bronze or satin nickel finishes • Available as surface mount or recessed mount fixture.

**Life** Rated at 50,000 hours at 70% lumen maintenance.

**Lens** High transmission diffusing lens produces smooth, uniform aperture luminance.

**LED Drivers/Transformers** Onboard luminaire LED driver operates at less than 5-watts input at 12-volts AC • Requires Class 2, 120-volt to 12-volt AC electronic (remote or plug-in) or magnetic (remote) driver/transformer for operation • Juno's [TL602E](#) and TL548U electronic drivers/transformers, and [TL576](#) magnetic driver/transformer are designed specifically for use with these luminaires.

**Dimming** May be dimmed with dimmers tested and qualified by Juno for use with [TL602E](#) and [TL576](#) • Refer to driver/transformer specifications for compatible dimmers • Color temperature remains constant over dimming range

**Labels** UL Listed for indoor damp locations • UL and cUL Listed • Union made • RoHS compliant.

**Warranty** Warranty period is 5-years from date of purchase • Standard Juno Lighting Group product guarantee terms and conditions apply • Continuously operating these luminaires above 12VAC will void the warranty.

Product specifications subject to change without notice.

## PRODUCT CODES

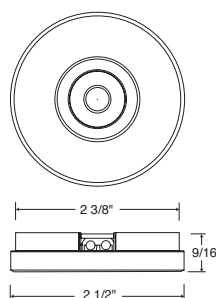
Model	Color Temperature	Shade Finish
<b>USTL1</b>	<b>-3K</b>	<b>-BZ</b>
<b>USTL1</b> Surface Mount	<b>3K</b> 3000K	<b>BL</b> Black
<b>USTLR1</b> Recessed Mount		<b>BZ</b> Bronze
<b>UK3STL*</b> 3 Surface Mount Luminaires Kit		<b>SN</b> Satin Nickel
		<b>WH</b> White

\*Juno Solo-Task LED kits include 3 surface mount luminaires, 1 plug-in driver/transformer with field installed switch, 10 feet of wire and five adhesive backed wire clips.

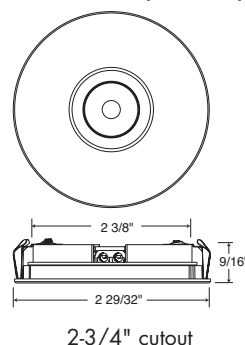


## DIMENSIONS

Surface Mount (USTL1-3K)



Recessed Mount (USTLR1-3K)



## ELECTRICAL DATA

	USTL1-3K/USTLR1-3K	UK3STL-3K
No. of Fixtures	1	3
Input voltage	12VAC	12VAC
Total input power (watts)	4.3*	14.3
Total input current	0.37*	0.14
Lumens	205	571
Efficacy (lumens/watt)	47.7	40.1

\*Solo-Task input power. Additional losses vary depending on transformer and system loading.

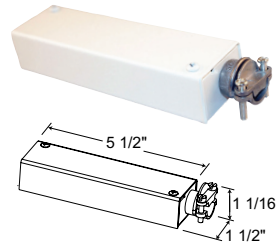
# UNDERCABINET LIGHTING

SOLO-TASK LED  
12VAC, 3000K LED ARRAY  
**USTL1-3K, UK3STL-3K**  
**USTLR1-3K**

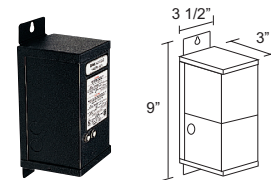
## ACCESSORIES



Catalog Number	Description
<b>UST18G-10-WH</b>	18AWG 2-Conductor Parallel Bonded Wire, 10-feet, White
<b>UST18G-25-WH</b>	18AWG 2-Conductor Parallel Bonded Wire, 25-feet, White
<b>UST18G-10-BL</b>	18AWG 2-Conductor Parallel Bonded Wire, 10-feet, Black
<b>UST18G-25-BL</b>	18AWG 2-Conductor Parallel Bonded Wire, 25-feet, Black
<b>USTL-REC-BL</b>	Kit to convert surface mount to recessed mount, Black
<b>USTL-REC-BZ</b>	Kit to convert surface mount to recessed mount, Brushed Bronze
<b>USTL-REC-SN</b>	Kit to convert surface mount to recessed mount, Satin Nickel
<b>USTL-REC-WH</b>	Kit to convert surface mount to recessed mount, White
<b>USTL-SHIELD-WH</b>	Solo-Task Shield, White
<b>USTL-SHIELD-BL</b>	Solo-Task Shield, Black
<b>USTL-SNOOT-WH</b>	Solo-Task Snoot, White
<b>USTL-SNOOT-BL</b>	Solo-Task Snoot, Black



TL602E



TL576

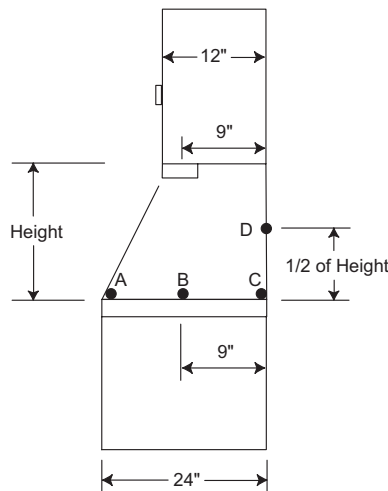
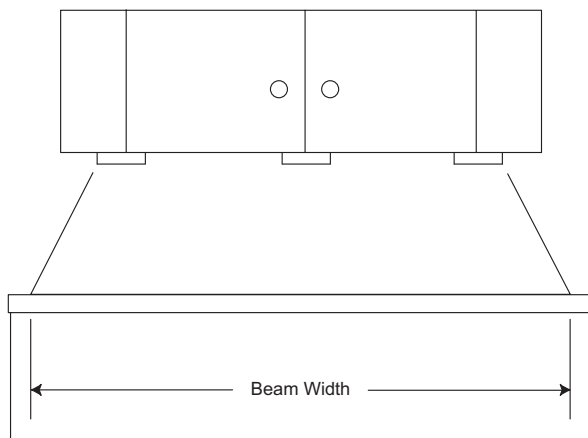
## TRANSFORMERS

Catalog Number	Finish	Description
<b>TL602E-10-WH</b>	White	10W 12V Electronic Transformer
<b>TL602E-25-WH</b>	White	25W 12V Electronic Transformer
<b>TL602E-60-WH</b>	White	60W 12V Electronic Transformer
<b>TL576-10-BL</b>	Black	10W 12V Magnetic Transformer
<b>TL576-25-BL</b>	Black	25W 12V Magnetic Transformer
<b>TL576-60-BL</b>	Black	60W 12V Magnetic Transformer
<b>TL548U-WH</b>	White	60W 12V Plug-in Electronic Transformer
<b>TL548U-BL</b>	Black	60W 12V Plug-in Electronic Transformer

## LIGHTING APPLICATION DATA

### FOOTCANDLES ON HORIZONTAL WORK SURFACE

Three Solo-Task Fixtures



Based on Three Solo-Task Fixtures Spaced 18" On-Center

Height	Beam Width*	Footcandles			
		A	B	C	D
15"	51"	29.2	77.1	41.6	30.1
18"	53"	29.0	60.7	40.8	30.1
24"	56"	26.4	42.0	34.3	27.0

\* Beam width defined as 50% of maximum footcandles  
Rear wall reflectance 50%  
Counter surface reflectance 20%



1300 S. Wolf Road • Des Plaines, IL 60018 • Phone (847) 827-9880 • Fax (847) 827-2925  
220 Chrysler Drive • Brampton, Ontario • Canada L6S 6B6 • Phone (905) 792-7335 • Fax (905) 792-0064  
Visit us at [www.junolightinggroup.com](http://www.junolightinggroup.com)

Printed in U.S.A. ©2014 Juno Lighting, LLC.