

JUNO**TRAC-MASTER®**

Project: _____

Fixture Type: _____

Location: _____

Contact/Phone: _____

Avant Garde

13W VERTICAL CYLINDER LED**T381L****PRODUCT DESCRIPTION**

The classic, simple appearance of the Vertical Cylinder LED fixtures offers a fresh take on a traditional aesthetic. The subtle elegance is carried through the entire design producing an understated charm. The 13W Vertical Cylinder LED fixtures have integral TIR optics which enable uniform spot, narrow flood, flood or wide flood distributions to be achieved. These fixtures have an integral, bayonet-mounted accessory holder that accommodates one accessory if desired. The 13W Vertical Cylinder LED can deliver up to 1187 lumens, at efficacies up to 89LPW and having a rated life of 50,000 hours. Available in 2700K, 3000K, 3500K and 4000K color temperatures, the white-light 13W Vertical Cylinder LED is compatible with all Juno line voltage trac and standard adapter accessories.

**PRODUCT SPECIFICATIONS**

Construction All-metal housing and custom designed concealed heat sink provides outstanding thermal management, yielding 70% average lumen maintenance at 50,000 hours of operation • Passively-cooled design – no moving parts to break or wear-out • Extruded aluminum vertically mounted LED driver housing • Concealed fixture wiring for a clean aesthetic • Fashionable, elegant design complements any decor • Available in white, black and silver painted finishes.

LED High performance LED array provides outstanding reliability, performance and color quality/consistency • 2700K, 3000K, 3500K or 4000K white phosphor high performance LEDs • Chromaticity range within a 3-step MacAdam Ellipse • 80 CRI minimum on standard product • Optional high CRI versions offer 90 CRI minimum, with an R9 value greater than 50 • Optional SpectralWhite versions are also available which make whites appear naturally brilliant and render colors more richly.

Driver Assembled in a side-mount vertical housing to minimize overall fixture footprint • Insulating air gap between driver and LED light engine optimizes thermal operation • Provides quiet operation with or without dimming • Dimmable using high quality reverse phase ELV dimmers approved by Juno - see [T381L-DIM](#) • Solid state electronic, Class 2 compliant • Integral overcurrent and short circuit protection • Class B FCC Part 15 rated.

Optics Interchangeable computer-designed custom TIR optics available in four factory-configured beam spreads • One TIR optic provided with fixture (as specified in catalog number) • Accessory optics available to enable beam changes in the field • Beam patterns can be altered as desired using a variety of available light control accessories.

Adapter Copper alloy contacts provide precise spring action – no arcing and will not take a set • True, positive electrical ground • On/off switch included • Patented embossed polarity arrows on bottom of adapter • Spring-loaded positive latch with embossed polarity arrows secures trac light to trac • “Pull-up” contact to up position for two-circuit application.

Accessory Holder Integral to fixture design • Die cast aluminum construction • Precision bayonet mounting • Accommodates one accessory if desired.

Aiming 360° horizontal coverage • Greater than 90° vertical aiming capability.

Labels UL and C-UL Listed.

Warranty Warranty period is 5 years from date of purchase • Standard Juno Lighting Group product guarantee terms and conditions apply.

Product specifications subject to change without notice.

ORDERING INFORMATION

Fixture Type	Color Temperature	Color Rendering Index	Beam Spread	Finish
T381L 13W Vertical Cylinder LED	27 2700K 3 3000K 35 3500K 4 4000K	Blank 80 CRI Minimum HC 90 CRI Minimum V¹ SpectralWhite	S Spot N Narrow Flood F Flood W Wide Flood	BL Black SL Silver WH White

¹3000K & 3500K only

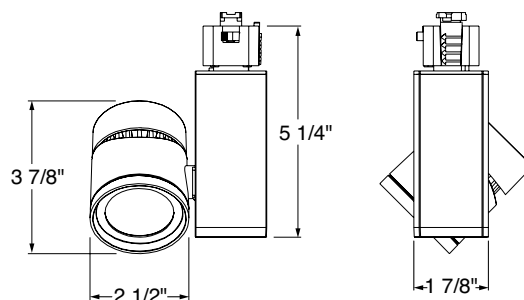
Ordering Examples: T381L-27SBL, T381L-3VNWH

ACCESSORIES

Cat. No.	Description	Cat. No.	Description
T7459BL	Hexcell Louver	T7477	Prismatic Spread Lens
T741-6	Color Filters	T7478	Linear Spread Lens
T7401-16	Dichroic Filters	TIR-1-SP	TIR Optic - Spot
T7418	Color Correction Filter ¹	TIR-1-NFL	TIR Optic - Narrow Flood
T7420	Diffusion Lens	TIR-1-FL	TIR Optic - Flood
T7421	Uniformity Lens	TIR-1-WFL	TIR Optic - Wide Flood

See specification sheet [D1.2.2](#) for details.

¹ T7418 corrects 3000K color to approximately 2700K and 4000K color to approximately 3400K.



TRAC-MASTER®

Avant Garde

13W VERTICAL CYLINDER LED**T381L****PERFORMANCE DATA¹:**

Catalog Number	Voltage	Input Watts (Typical)	Lumens	Efficacy (LPW)	Rated Life (Hours)
T381L-27S	120V	13.4	1025	76	50,000
T381L-27N	120V	13.4	988	74	50,000
T381L-27F	120V	13.4	1019	76	50,000
T381L-27W	120V	13.4	929	69	50,000
T381L-27HCS	120V	13.4	896	67	50,000
T381L-27HCN	120V	13.4	863	64	50,000
T381L-27HCF	120V	13.4	891	66	50,000
T381L-27HCW	120V	13.4	812	61	50,000
T381L-3S	120V	13.4	1079	81	50,000
T381L-3N	120V	13.4	1040	78	50,000
T381L-3F	120V	13.4	1073	80	50,000
T381L-3W	120V	13.4	978	73	50,000
T381L-3HCS	120V	13.4	939	70	50,000
T381L-3HCN	120V	13.4	905	68	50,000
T381L-3HCF	120V	13.4	934	70	50,000
T381L-3HCW	120V	13.4	851	64	50,000
T381L-3VS	120V	13.4	939	70	50,000
T381L-3VN	120V	13.4	905	68	50,000
T381L-3VF	120V	13.4	934	70	50,000
T381L-3VW	120V	13.4	851	64	50,000
T381L-35S	120V	13.4	1133	85	50,000
T381L-35N	120V	13.4	1092	81	50,000
T381L-35F	120V	13.4	1127	84	50,000
T381L-35W	120V	13.4	1027	77	50,000
T381L-35HCS	120V	13.4	971	72	50,000
T381L-35HCN	120V	13.4	936	70	50,000
T381L-35HCF	120V	13.4	966	72	50,000
T381L-35HCW	120V	13.4	880	66	50,000
T381L-35VS	120V	13.4	971	72	50,000
T381L-35VN	120V	13.4	936	70	50,000
T381L-35VF	120V	13.4	966	72	50,000
T381L-35VW	120V	13.4	880	66	50,000
T381L-4S	120V	13.4	1187	89	50,000
T381L-4N	120V	13.4	1144	85	50,000
T381L-4F	120V	13.4	1180	88	50,000
T381L-4W	120V	13.4	1076	80	50,000
T381L-4HCS	120V	13.4	993	74	50,000
T381L-4HCN	120V	13.4	957	71	50,000
T381L-4HCF	120V	13.4	987	74	50,000
T381L-4HCW	120V	13.4	900	67	50,000

ELECTRICAL DATA

Input Voltage	120V
Input Current (max.)	0.12A
Power Factor	>0.90
T.H.D.	<20%

¹Performance data, including Rated Life, is based on measurements of an individual fixture operating in a 25°C ambient.

TRAC-MASTER®

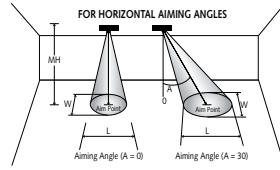
Avant Garde

13W VERTICAL CYLINDER LED

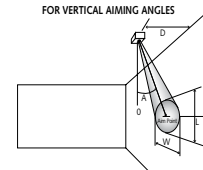
T381L

CBCP • Centerbeam candlepower
FC • Footcandles at beam center (aim point)

In vertical aiming applications, aim point (X) is determined by dividing distance from the wall (D) by the tangent of the desired aim angle (A) (0.5774 for 30°, 1.0 for 45°, 1.732 for 60°).



Horizontal Aiming Angles



Vertical Aiming Angles



Fixture	Beam Type	Beam Spread	Rated Life	CBCP	0°		30°			30°					45°				60°						
					MH	FC	L	W	FC	L	W	D	FC	X	L	W	FC	X	L	W	D	FC	X	L	W
Cylinder 13W LED, 3000K Spot	S	16°	50000	10386	6	289	1.7	1.7	187	2.3	2.0	3	144	5.2	3.6	1.7	408	3.0	1.7	1.2	6	187	3.5	2.3	2.0
					8	162	2.3	2.3	105	3.0	2.6	4	81	6.9	4.8	2.3	230	4.0	2.3	1.6	8	105	4.6	3.0	2.6
					10	104	2.8	2.8	67	3.8	3.3	5	52	8.7	6.0	2.8	147	5.0	2.9	2.0	10	67	5.8	3.8	3.3
					12	72	3.4	3.4	47	4.6	3.9	6	36	10.4	7.2	3.4	102	6.0	3.5	2.4	12	47	6.9	4.6	3.9
					14	53	4.0	4.0	34	5.3	4.6	7	26	12.1	8.4	4.0	75	7.0	4.0	2.8	14	34	8.1	5.3	4.6
Cylinder 13W LED, 3000K Narrow Flood	N	26°	50000	4278	4	267	1.9	1.9	174	2.5	2.1	2	134	3.5	4.4	1.9	378	2.0	2.0	1.3	4	174	2.3	2.5	2.1
					6	119	2.8	2.8	77	3.8	3.2	3	59	5.2	6.6	2.8	168	3.0	2.9	2.0	6	77	3.5	3.8	3.2
					8	67	3.7	3.7	43	5.0	4.3	4	33	6.9	8.8	3.7	95	4.0	3.9	2.6	8	43	4.6	5.0	4.3
					10	43	4.6	4.6	28	6.3	5.4	5	21	8.7	11.1	4.6	61	5.0	4.9	3.3	10	28	5.8	6.3	5.4
					12	30	5.6	5.6	19	7.6	6.4	6	15	10.4	13.3	5.6	42	6.0	5.9	3.9	12	19	6.9	7.6	6.4
Cylinder 13W LED, 3000K Flood	F	39°	50000	2309	4	144	2.8	2.8	94	4.0	3.3	1	289	1.7	4.6	1.4	816	1.0	1.6	1.0	3	167	1.7	3.0	2.5
					5	92	3.6	3.6	60	4.9	4.1	2	72	3.5	9.1	2.8	204	2.0	3.3	2.0	4	94	2.3	4.0	3.3
					6	64	4.3	4.3	42	5.9	4.9	3	32	5.2	13.7	4.3	91	3.0	4.9	3.0	5	60	2.9	4.9	4.1
					7	47	5.0	5.0	31	6.9	5.7	4	18	6.9	18.3	5.7	51	4.0	6.5	4.0	6	42	3.5	5.9	4.9
					8	36	5.7	5.7	23	7.9	6.6	5	12	8.7	22.8	7.1	33	5.0	8.1	5.0	7	31	4.0	6.9	5.7
Cylinder 13W LED, 3000K Wide Flood	W	51°	50000	1182	2	296	1.9	1.9	192	2.7	2.2	1.0	148	1.7	11.7	1.9	418	1.0	2.5	1.3	2	192	1.2	2.7	2.2
					3	131	2.8	2.8	85	4.1	3.3	1.5	66	2.6	17.6	2.8	186	1.5	3.7	2.0	3	85	1.7	4.1	3.3
					4	74	3.8	3.8	48	5.5	4.4	2.0	37	3.5	23.5	3.8	104	2.0	4.9	2.7	4	48	2.3	5.5	4.4
					5	47	4.7	4.7	31	6.8	5.5	2.5	24	4.3	**	4.7	67	2.5	6.1	3.4	5	31	2.9	6.8	5.5
					6	33	5.7	5.7	21	8.2	6.6	3.0	16	5.2	**	5.7	46	3.0	7.4	4.0	6	21	3.5	8.2	6.6

For 2700K fixtures, use 0.95 multiplier; for 2700HC fixtures, use 0.83 multiplier; for 3000HC fixtures, use 0.87 multiplier; for 3000V fixtures, use 0.87 multiplier; for 3500K fixtures, use 1.05 multiplier; for 3500HC fixtures, use 0.90 multiplier; for 3500V fixtures, use 0.90 multiplier; for 4000K fixtures, use 1.10 multiplier; for 4000HC fixtures, use 0.92 multiplier

**Due to steep aiming angle, length of beam extends beyond 25'.