

Juno**TRAC-MASTER®**

Project: _____

Avant Garde

Fixture Type: _____

CYLINDRA™ 45W LED

Location: _____

T255LED

Contact/Phone: _____

**PRODUCT DESCRIPTION**

The Juno Cyindra™ 45W LED trac fixture approximates the light output and distribution of 39W PAR30L ceramic metal halide lamps, utilizing about the same amount of energy, but having a rated life of 50,000 hours and significantly better lumen maintenance over life. Available in 2700K, 3000K, 3500K and 4000K color temperatures, the white-light Cyindra LED is compatible with all Juno line voltage trac and T43 monopoints. The contemporary styling of the Cyindra LED enables it to subtly enhance practically any decor without diverting attention from the surrounding environment. Soft curved surfaces combine with clean, crisp edges to provide a uniquely attractive aesthetic. Cyindra's integral, bayonet-mounted accessory holder accommodates up to two accessories if desired.

**Cylindra 45W LED**

Construction Die cast aluminum housing provides outstanding thermal management, yielding 70% average lumen maintenance at 50,000 hours of operation • Fashionable, elegant design complements any decor • Available in white, black and silver painted finishes.

LED Citizen LED array provides outstanding reliability, performance and color quality/consistency • 2700K, 3000K, 3500K or 4000K white phosphor high performance LEDs • High CRI of 83 typical.

Driver Assembled into heat dissipating aluminum housing and positioned above fixture housing to minimize overall fixture footprint • Solid state electronic, Class 2 compliant • Integral overcurrent and short circuit protection • Class B FCC Part 15 rated.

Dimming Non-dimming and dimming fixture versions available - see Ordering Information to configure desired catalog number • Dimming fixture versions may be dimmed with a wide variety of reverse phase electronic low voltage (ELV) dimmers approved by Juno - contact factory for a list of approved dimmers or to confirm compatibility with desired dimmer.

Reflector Precision designed integral reflector provides either spot, narrow flood or flood beam distributions • Faceted/dimpled reflector ensures a properly color-mixed beam • Accessory reflectors available to convert from one beam distribution to another in the field without the use of tools • Beam patterns can be altered as desired using a variety of available light control accessories.

Adapter Copper alloy contacts provide precise spring action - no arcing and will not take a set • True, positive electrical ground • On/off switch included • Patented embossed polarity arrows on bottom of adapter • Spring-loaded positive latch with embossed polarity arrows secures trac fixture to trac • "Pull-up" contact to up position for two-circuit application.

Accessory Holder Integral to fixture design • Die cast aluminum construction • Precision bayonet mounting • Accommodates up to two accessories if desired.

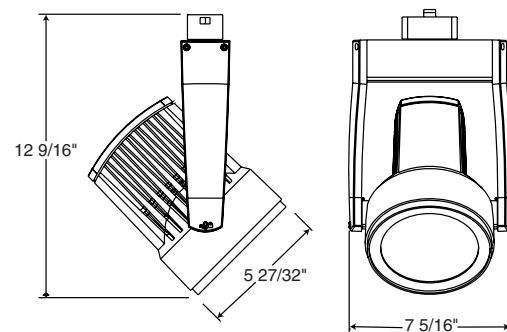
Aiming 360° horizontal coverage • Greater than 120° vertical aiming capability.

Mounting For ceiling mount installations only.

Labels UL and C-UL Listed • ENERGY STAR® Qualified.

Warranty Warranty period is 5 years from date of purchase • Standard Juno Lighting Group product guarantee terms and conditions apply.

Product specifications subject to change without notice.

DIMENSIONS**ACCESSORIES**

Cat. No.	Description	Cat. No.	Description
T579BL	Cube Cell Louver	T5778	Linear Spread Lens
T571-6	Color Filters	T43	Monopoint
T5718	Color Correction Filter ¹	TR1-CL-SP	Reflector-Spot
T5721	Uniformity Lens	TR1-CL-NFL	Reflector-Narrow Flood
T5777	Prismatic Spread Lens	TR1-CL-FL	Reflector-Flood

See specification sheet [D1.2.2](#) for details.

¹ T5718 corrects 3000K color to approximately 2700K and 4000K color to approximately 3400K.

ORDERING INFORMATION

Fixture Type	Color Temperature	Dimming Compatibility	Beam Spread	Finish
T255LED	27 2700K	D Dimmable	SP 8° Spot	BL Black
45W Cyindra LED	3 3000K	K Not Dimmable	NFL 23° Narrow Flood	SL Silver
	35 3500K		FL 40° Flood	WH White
	4 4000K			

REV/6/12

Ordering Examples: T255LED-27K-SP-WH, T255LED-3D-NFL-SL

TRAC-MASTER®

Avant Garde

CYLINDRA™ 45W LED

T255LED

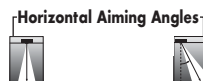
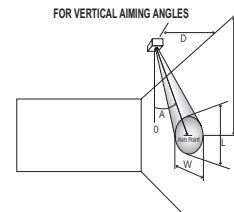
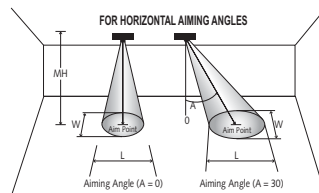
PERFORMANCE DATA¹

Catalog Number	Input Voltage	Watts (Typical)	Lumens	Efficacy (LPW)	Rated Life (Hours)
T255LED-27x-SP	120V	45.4W	2179	48	50,000
T255LED-27x-NFL	120V	45.4W	2150	47	50,000
T255LED-27x-FL	120V	45.4W	2131	47	50,000
T255LED-3x-SP	120V	45.4W	2339	52	50,000
T255LED-3x-NFL	120V	45.4W	2308	51	50,000
T255LED-3x-FL	120V	45.4W	2288	50	50,000
T255LED-35x-SP	120V	45.5W	2456	54	50,000
T255LED-35x-NFL	120V	45.5W	2423	53	50,000
T255LED-35x-FL	120V	45.5W	2402	53	50,000
T255LED-4x-SP	120V	45.4W	2522	56	50,000
T255LED-4x-NFL	120V	45.4W	2489	55	50,000
T255LED-4x-FL	120V	45.4W	2467	54	50,000

¹Performance data, including Rated Life, is based on measurements of an individual fixture operating in a 25 °C ambient.

CBCP • Centerbeam candlepower
FC • Footcandles at beam center (aim point)

In vertical aiming applications, aim point (X) is determined by dividing distance from the wall (D) by the tangent of the desired aim angle (A) (0.5774 for 30°, 1.0 for 45°, 1.732 for 60°).



Lamp	Beam Type	Beam Spread°	Rated Life	CBCP	0°			30°			45°			60°											
					MH	FC	L	W	FC	L	W	D	FC	X	L	W	D	FC	X	L	W				
Cylindra 45W LED, 3000K Spot	SP	8°	50000	40008	12	278	1.7	1.7	180	2.2	1.9	6	139	10.4	3.4	1.7	393	6.0	1.7	1.2	12	180	6.9	2.2	1.9
					14	204	2.0	2.0	133	2.6	2.3	8	78	13.9	4.5	2.2	221	8.0	2.2	1.6	14	133	8.1	2.6	2.3
					16	156	2.2	2.2	102	3.4	2.6	10	50	17.3	5.7	2.8	141	10.0	2.8	2.0	16	102	9.2	3.0	2.6
					18	123	2.5	2.5	80	3.4	2.9	12	35	20.8	6.8	3.4	98	12.0	3.4	2.4	18	80	10.4	3.4	2.9
					20	100	2.8	2.8	65	3.7	3.2	14	26	24.2	7.9	3.9	72	14.0	3.9	2.8	20	65	11.5	3.7	3.2
Cylindra 45W LED, 3000K Narrow Flood	NFL	23°	50000	11495	8	180	3.3	3.3	117	4.4	3.8	4	90	6.9	7.4	3.3	254	4.0	3.4	2.3	6	207	3.5	3.3	2.8
					10	115	4.1	4.1	75	5.5	4.7	5	57	8.7	9.3	4.1	163	5.0	4.2	2.9	8	117	4.6	4.4	3.8
					12	80	4.9	4.9	52	6.6	5.6	6	40	10.4	11.2	4.9	113	6.0	5.1	3.5	10	75	5.8	5.5	4.7
					14	59	5.7	5.7	38	7.7	6.6	7	29	12.1	13.0	5.7	83	7.0	5.9	4.0	12	52	6.9	6.6	5.6
					16	45	6.5	6.5	29	8.8	7.5	8	22	13.9	14.9	6.5	64	8.0	6.8	4.6	14	38	8.1	7.7	6.6
Cylindra 45W LED, 3000K Flood	FL	40°	50000	5627	5	225	3.6	3.6	146	5.1	4.2	2	176	3.5	9.7	2.9	497	2.0	3.4	2.1	5	146	2.9	5.1	4.2
					6	156	4.4	4.4	102	6.1	5.0	3	78	5.2	14.5	4.4	221	3.0	5.0	3.1	6	102	3.5	6.1	5.0
					7	115	5.1	5.1	75	7.1	5.9	4	44	6.9	19.3	5.8	124	4.0	6.7	4.1	7	75	4.0	7.1	5.9
					8	88	5.8	5.8	57	8.1	6.7	5	28	8.7	24.2	7.3	80	5.0	8.4	5.1	8	57	4.6	8.1	6.7
					9	69	6.6	6.6	45	9.1	7.6	6	20	10.4	**	8.7	55	6.0	10.1	6.2	9	45	5.2	9.1	7.6

For 2700K fixtures, use 0.93 multiplier; for 3500K fixtures, use 1.05 multiplier; for 4000K fixtures, use 1.08 multiplier.

**Due to steep aiming angle, length of beam extends beyond 25'.



1300 S. Wolf Road • Des Plaines, IL 60018 • Phone (847) 827-9880 • Fax (847) 827-2925
 220 Chrysler Drive • Brampton, Ontario • Canada L6S 6B6 • Phone (905) 792-7335 • Fax (905) 792-0064
 Visit us at www.junolightinggroup.com

Printed in U.S.A. ©2012 Juno Lighting, LLC.