

# JUNO® Gyrus™ MR16 Trac Fixtures

## Installation Instructions

### Important Safety Instructions-Save These Instructions For Juno Gyrus Low Voltage Trac Fixtures (T640, TL140, TF140)

Read all of these instructions before installing the trac fixtures.

Do not install these fixtures in damp or wet locations.

Do not install any fixture assembly closer than 6" from any curtain or similar combustible material.

Disconnect electrical power to trac before adding, removing, or relamping fixtures.

To reduce the risk of fire and burns, allow the lamp to cool before removing from fixture.

Save these instructions and refer to them when additions or changes to the trac configuration are made.

#### TL140 - Low Voltage Gyrus Trac Fixtures For Trac12 Installation & Removal From Trac

**Note:** TL140 Fixtures are for use with Juno TL series or TLR series trac systems only.

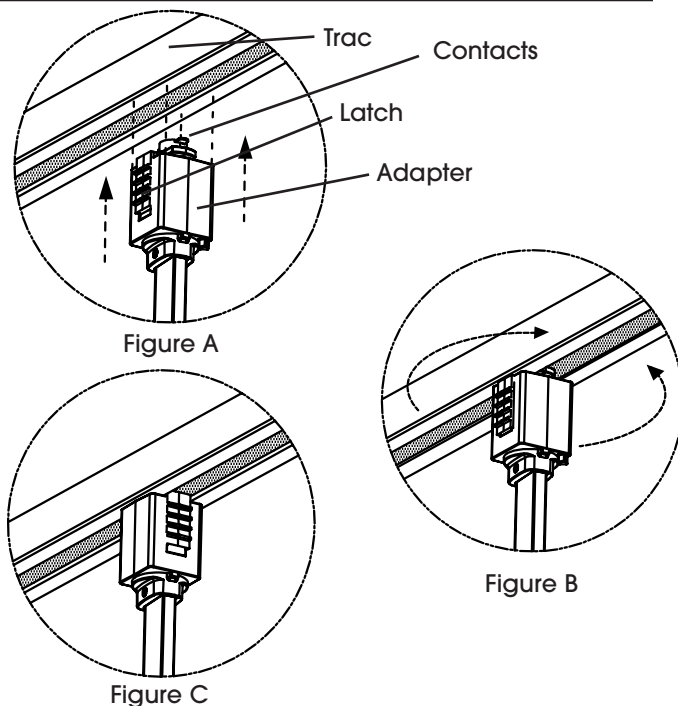
(For media cartridge use, relamping, and additional general instructions, refer to page 2)

##### Installing to Trac:

1. Disconnect electrical power to trac.
2. Insert fixture adapter with latch and contacts oriented as shown (figure A) into TL series or TLR series trac until latch is fully depressed.
3. Rotate fixture adapter 90° in either direction until latch "snaps" into trac channel (figure B & C). To prevent damage to the fixture, hold only the adaptor when rotating. Do not rotate adaptor via the fixture.

##### Removing from Trac:

1. Disconnect electrical power to trac.
2. Depress latch, and rotate 90° in either direction until the latch is oriented as shown (figure B). To prevent damage to the fixture, hold only the adaptor when rotating. Do not rotate adaptor via the fixture.
3. Remove from trac by pulling adaptor down out of the trac channel.



#### TF140 - Low Voltage Gyrus Trac Fixtures For Flex12 Installation & Removal From Trac

**Note:** TF140 Fixtures are for use with Juno TF series trac systems only.

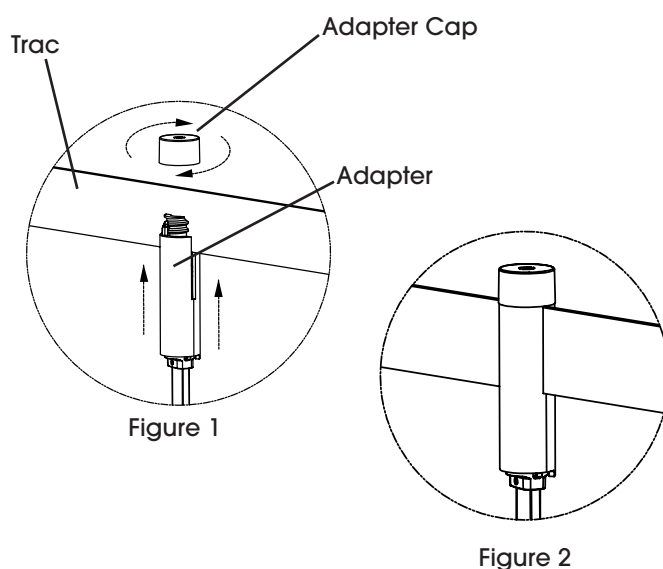
(For media cartridge use, relamping, and additional general instructions, refer to page 2)

##### Installing to Trac:

1. Disconnect electrical power to trac.
2. Unscrew adapter cap from adaptor and remove.
3. While supporting fixture from the adapter, insert fixture adaptor onto TF series trac and slide straight up as shown (figure 1). Do not slide adapter left or right, scratching of the trac will result.
4. Once adapter is fully engaged on trac, tighten the adapter cap removed in step 2 until secure (figure 2).

##### Removing from Trac:

1. Disconnect electrical power to trac.
2. While supporting fixture from the adapter, unscrew and remove the adapter cap.
3. Slide fixture straight down (opposite figure 1) until adapter is fully off of trac, taking caution not to slide the adapter left or right to prevent scratching the trac.
4. Replace adapter cap removed in step 2.



#### WARRANTY

Juno warrants that its products are free from defects in material and workmanship. Juno's obligation is expressly limited to repair or replacement, without charge, at Juno's factory after prior written return authorization has been granted. This warranty shall not apply to products which have been altered or repaired outside of Juno's factory. This warranty is in lieu of all other warranties, express or implied, and without limiting the generality of the foregoing phrase, excludes any implied warranty of merchantability. Also, there are no warranties which extend beyond the description of the product on the company's literature setting forth terms of sale.

# JUNO® Gyrus™ MR16 Trac Fixtures

## T640 - Low Voltage Gyrus Trac Fixtures For Trac-Master Installation & Removal From Trac Mounted Transformers

**Note:** T640 Fixtures are for use with Juno T, TU, R, or V series trac systems only (used in conjunction with Juno T537 or T538 transformers, or T539, T542, or T543 monopoints).

(For media cartridge use, relamping, and additional general instructions, refer to instructions below. For transformer installation instructions, refer to the sheet supplied with the transformer)

### Connecting to transformer:

1. Switch off transformer, uninstall transformer from trac, or remove power to trac.
2. While supporting fixture by the adapter ring, bring fixture towards the transformer opening until fixture plug can be connected to the transformer receptacle. Do not pull on transformer receptacle. Slide fixture plug firmly into the receptacle until they lock together (see figure A). If using the T538, position the connector so it is parallel with the notches in the transformer opening, and the transformer receptacle side of the connector is bottoming out in the opening cavity.
3. Line up the smaller tab on the adaptor ring with the smaller notch in the transformer opening. Push the adapter ring up into the transformer opening, and rotate the fixture by the adapter ring clockwise until it locks into place (see figures B & C). To prevent damage to the fixture, do not rotate the adapter ring via the fixture.
4. Follow the instructions supplied with the transformer to install the transformer to the trac or switch the transformer power on if necessary.

### Removing from transformer:

1. Disconnect power to trac, switch off transformer, or uninstall transformer from trac.
2. Grasp adapter ring on fixture and rotate counter clockwise until adapter ring unlocks from transformer.
3. Pull fixture straight down until you can access the plug and receptacle. Disengage the fixture plug from the transformer receptacle.

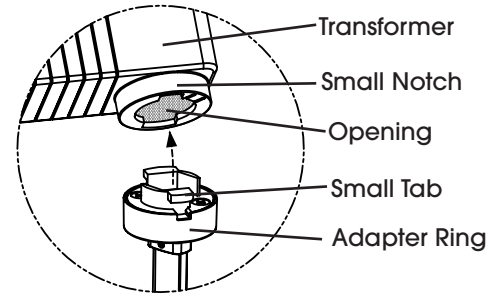


Figure B (wires removed for clarity)

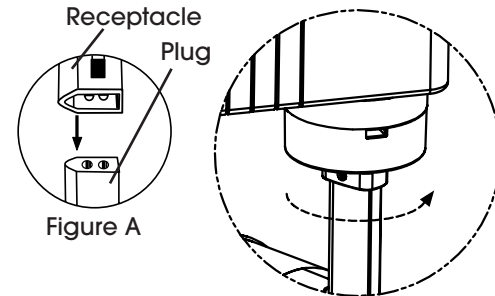


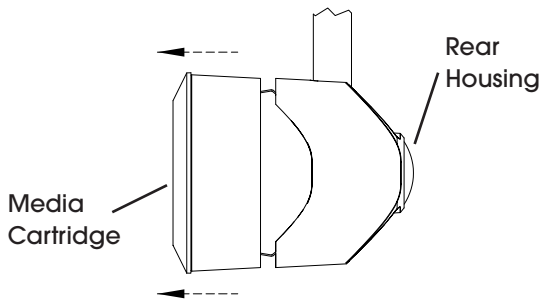
Figure A

Figure C

## Gyrus Trac Fixtures (TL140, TF140 & T640) General Instructions

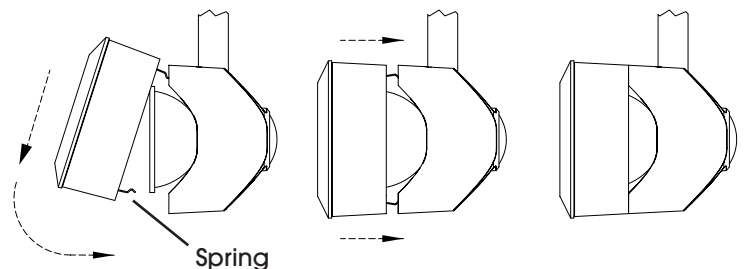
### Media Cartridge Removal

Pull media cartridge in the direction shown below while holding the rear housing stationary. A slight tilt to the side will help to overcome the spring tension.



### Media Cartridge Installation

- \* While holding the rear housing for support, start 1 media cartridge spring in the corresponding housing notch. Apply force down and towards the rear housing (as shown in the 1st illustration) to engage the other media cartridge spring.
- \* When both media cartridge springs are engaged, push the media cartridge assembly straight back towards the rear housing (as shown in the 2nd illustration) until the springs snap the media cartridge into place.



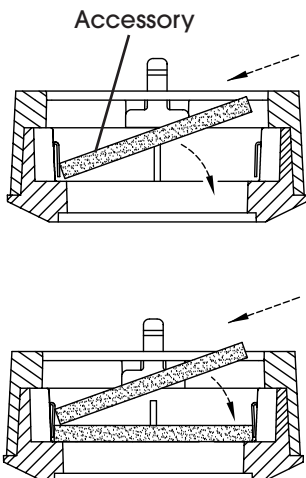
### Accessory Installation

The Gyrus Media Cartridge accepts up to (2) 2" lenses, filters, or louvers.

**Note:** when using the Hexagonal Cell Louver, a 2" lens or filter must be inserted on top of the louver to adequately secure the louver in place.

- \* To install, insert the accessory against 1 of the lens retaining springs inside the media cartridge. Push and rotate in the directions shown until the accessory sits flush. Repeat for additional accessories.

- \* To remove the accessories, push on them from the outside of the media cartridge towards the open side until loose.



### Gyrus Adjustment

**Caution:** to reduce the risk of burn, remove power and let fixture cool before adjusting.

**Note:** When adjusting, do not grip the media cartridge. All adjustment must be done from the rear housing or stem.

