



TRAC-MASTER®

Avant Garde

DELTA 200 SERIES

T216, TP216, T218 and T219

Project: _____

Fixture Type: _____

Location: _____

Contact/Phone: _____

PRODUCT DESCRIPTION

The Delta 200 Series attains the ultimate caliber of clean lines in today's popular open fixture look. The die-cast aluminum exterior features the detailed styling of a precision lighting instrument with a sleek vented look.

Construction Die-cast aluminum body.

Aiming 90° vertical aiming capability and 358° rotation

- One locking screw provided.

Labels UL listed, CSA certified.

Product specifications subject to change without notice.



Low Voltage MR16

Lampholder Ceramic bi-pin.

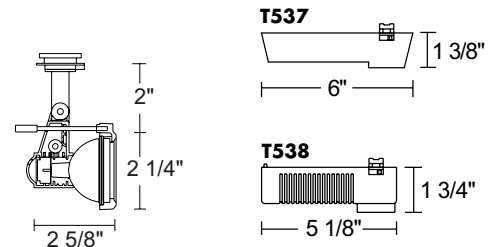
Transformer T537 or T538 12V solid state electronic transformer with on/off switch or Juno Trac-Master low voltage monopoint • Must be ordered separately • Dimmable, see spec sheet D1.2.1.

Catalog Number	Finish	Lamp
T216WH	White	20-50W MR16
T216BL	Black	20-50W MR16
T216SL	Silver	20-50W MR16

ACCESSORIES

Cat. No.	Description	Cat. No.	Description	Cat. No.	Description
T74BL	Black Barn Doors	T557	Prismatic Spread Lens	T559	Linear Spread Lens
T551-5	Color Filters	T558BL	Black Snoot	T5501-18	Dichroic Lenses
T5520	Diffuse Spread Lens	T5521	Uniformity Lens	T5522	UV Filter Lens
T5559BL	Hexcell Louver				

See specification sheet D1.2.2 for details.



Low Voltage MR16

Lampholder Ceramic bi-pin.

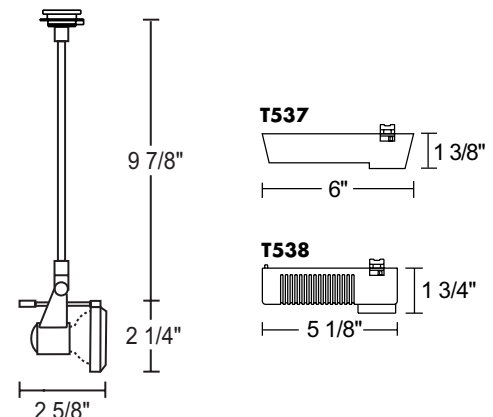
Transformer T537 or T538 12V solid state electronic transformer with on/off switch or Juno Trac-Master low voltage monopoint • Must be ordered separately • Dimmable, see spec sheet D1.2.1.

Catalog Number	Description	Finish	Lamp
TP216WH	Delta 200 Pendant	White	20-50W MR16
TP216BL	Delta 200 Pendant	Black	20-50W MR16
TP216SL	Delta 200 Pendant	Silver	20-50W MR16

ACCESSORIES

Cat. No.	Description	Cat. No.	Description	Cat. No.	Description
T74BL	Black Barn Doors	T557	Prismatic Spread Lens	T559	Linear Spread Lens
T551-5	Color Filters	T558BL	Black Snoot	T5501-18	Dichroic Lenses
T5520	Diffuse Spread Lens	T5521	Uniformity Lens	T5522	UV Filter Lens
T5559BL	Hexcell Louver				

See specification sheet D1.2.2 for details.



TRAC-MASTER®

Avant Garde

DELTA 200 SERIES**T216, TP216, T218 and T219****PRODUCT DESCRIPTION**

The Delta 200 Series attains the ultimate caliber of clean lines in today's popular open fixture look. The die-cast aluminum exterior features the detailed styling of a precision lighting instrument with a sleek vented look.

Construction Die-cast aluminum body.

Aiming 90° vertical aiming capability and 358° rotation

- One locking screw provided.

Adapter Copper alloy contacts provide precise spring action - no arcing and will not take a set • True, positive electrical ground • On/off switch included

- Patented embossed polarity arrows on bottom of adapter • Spring-loaded positive latch with embossed polarity arrows secures trac light to trac
- "Pull-up" contact to up position for two-circuit application.

Labels UL listed, CSA certified.

Product specifications subject to change without notice.

Line Voltage PAR30

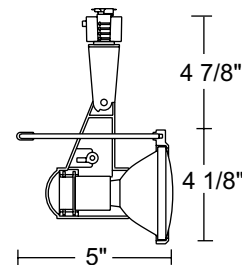
Lampholder Medium base porcelain with nickel plated copper screw shell.

Catalog Number	Finish	Lamp
T218WH	White	50-75W PAR30
T218BL	Black	50-75W PAR30
T218SL	Silver	50-75W PAR30

ACCESSORIES

Cat. No.	Description	Cat. No.	Description	Cat. No.	Description
T569BL	Cube Cell Louver	T577BL	Black Eyebrow	T660BL	Black Filter Holder
T561-6	Color Filters	T5677	Prismatic Spread Lens	T5678	Linear Spread Lens
T5621	Uniformity Lens	T5622	UV Filter		

See specification sheet D1.2.2 for details.

**Line Voltage PAR38**

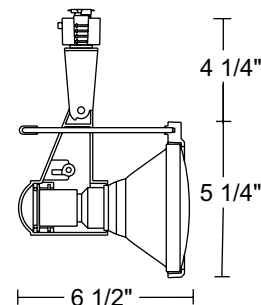
Lampholder Medium base porcelain with nickel plated copper screw shell.

Catalog Number	Finish	Lamp
T219WH	White	45-150W PAR38
T219BL	Black	45-150W PAR38
T219SL	Silver	45-150W PAR38

ACCESSORIES

Cat. No.	Description	Cat. No.	Description	Cat. No.	Description
T579BL	Cube Cell Louver	T587BL	Black Eyebrow	T571-6	Color Filters
T670BL	Black Filter Holder	T5777	Prismatic Spread Lens	T5778	Linear Spread Lens
T5721	Uniformity Lens	T5722	UV Filter		

See specification sheet D1.2.2 for details.



1300 S. Wolf Road • Des Plaines, IL 60018 • Phone (847) 827-9880 • Fax (847) 827-2925
 220 Chrysler Drive • Brampton, Ontario • Canada L6S 6B6 • Phone (905) 792-7335 • Fax (905) 792-0064
 Visit us at www.junolightinggroup.com

Printed in U.S.A. ©2009 Juno Lighting, LLC.