



TRAC-MASTER®

Wall Wash/Floods MINI-BIAX® SERIES

TMBX26

Project: _____

Fixture Type: _____

Location: _____

Contact/Phone: _____

PRODUCT DESCRIPTION

Mini-Biax compact fluorescent trac fixtures are an excellent energy efficient solution for residential, retail and commercial wall washing and display illumination. The wide distribution provides uniform illumination and focus on art and feature displays.

PRODUCT SPECIFICATIONS

Lamp One 26W quad compact fluorescent lamp CFQ26/G24d
• 2 pin base.

Profile Low profile design.

Aiming 90° vertical aiming capability • 358° horizontal rotation
• Two locking knobs provided.

Adapter Copper alloy contacts provide precise spring action - no arcing and will not take a set • True, positive electrical ground
• On/off switch included • Patented embossed polarity arrows on bottom of adapter • Spring-loaded positive latch with embossed polarity arrows secures trac light to trac • "Pull-up" contact to up position for two-circuit application.

Materials Computer contoured reflector • Sturdy extruded aluminum housing with die-cast aluminum end caps and textured paint.

Ballast 120V NPF magnetic ballast

Reflector Hammertone specular aluminum.

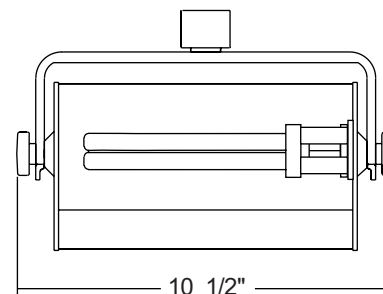
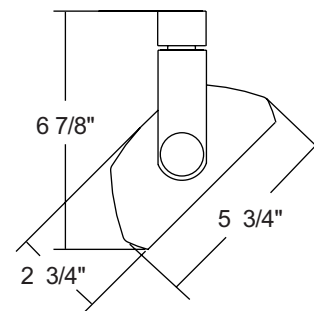
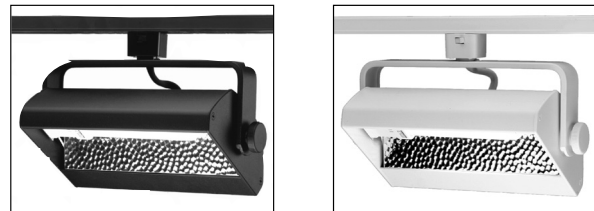
Labels UL listed, CSA certified.

Product specifications subject to change without notice.

PRODUCT CODES

Catalog Number	Finish	Ballast	Wattage and Lamp
TMBX26WH	White	NPF Magnetic	(1) 26W Quad CFL
TMBX26BL	Black	NPF Magnetic	(1) 26W Quad CFL

DIMENSIONS



ENGINEERING DATA

26W, 120V NPF

Total Input Power	31
Operating Amps	.52
Power Factor	.45
T.H.D.	<20%
Min. Starting Temp.	50°F
Crest Factor	<1.7
Ballast Factor	.87

Biax is a registered trademark of General Electric Corporation.

REV-6/09

PHOTOMETRIC REPORT

Test Report #: ITL44371

Catalog No: TMBX26

Luminaire: Mini Biax Trac Fixture

Lamp: One 26W Quad CFL lamp rated @ 1850 lumens

TRAC-MASTER®

Wall Wash/Floods

MINI-BIAX® SERIES

TMBX26

FOOTCANDLES ON WALL FROM MULTIPLE UNITS

Fixture Distance to Wall	2'						3'						4'														
	⌈	2'	⌋	⌈	3'	⌋	⌈	4'	⌋	⌈	3'	⌋	⌈	4'	⌋	⌈	5'	⌋	⌈	4'	⌋	⌈	5'	⌋	⌈	6'	⌋
1'	108	106	108	80	63	80	70	37	70	56	55	56	45	38	45	40	26	40	32	31	32	27	24	27	25	18	25
2'	59	59	59	41	38	41	34	25	34	41	41	41	32	29	32	28	21	28	28	27	28	23	21	23	21	17	21
3'	35	35	35	24	23	24	18	17	18	27	27	27	20	20	20	17	15	17	21	21	21	17	16	17	15	13	15
4'	22	22	22	15	15	15	11	11	18	19	19	19	14	14	14	12	11	12	15	16	15	13	12	13	11	10	11
5'	15	15	15	10	10	10	8	8	8	14	14	14	10	10	10	9	8	9	12	12	12	10	10	10	8	8	8
6'	10	10	10	7	7	7	6	6	6	10	10	10	8	8	8	6	6	6	9	9	9	8	8	8	7	6	7
7'	8	8	8	6	5	6	4	4	4	8	8	8	6	6	6	5	5	5	7	8	7	6	6	6	5	5	5
8'	6	6	6	4	4	4	3	3	3	6	6	6	5	5	5	4	4	4	6	6	6	5	5	5	4	4	4
9'	5	5	5	4	4	4	3	3	3	5	5	5	4	4	4	3	3	3	5	5	5	4	4	4	4	4	4
10'	4	4	4	3	3	3	2	2	2	4	4	4	3	3	3	3	3	3	4	4	4	4	4	4	3	3	3

