

Juno Current Limiting Pendant Stem Kits

Read and understand these instructions before installing fixture.

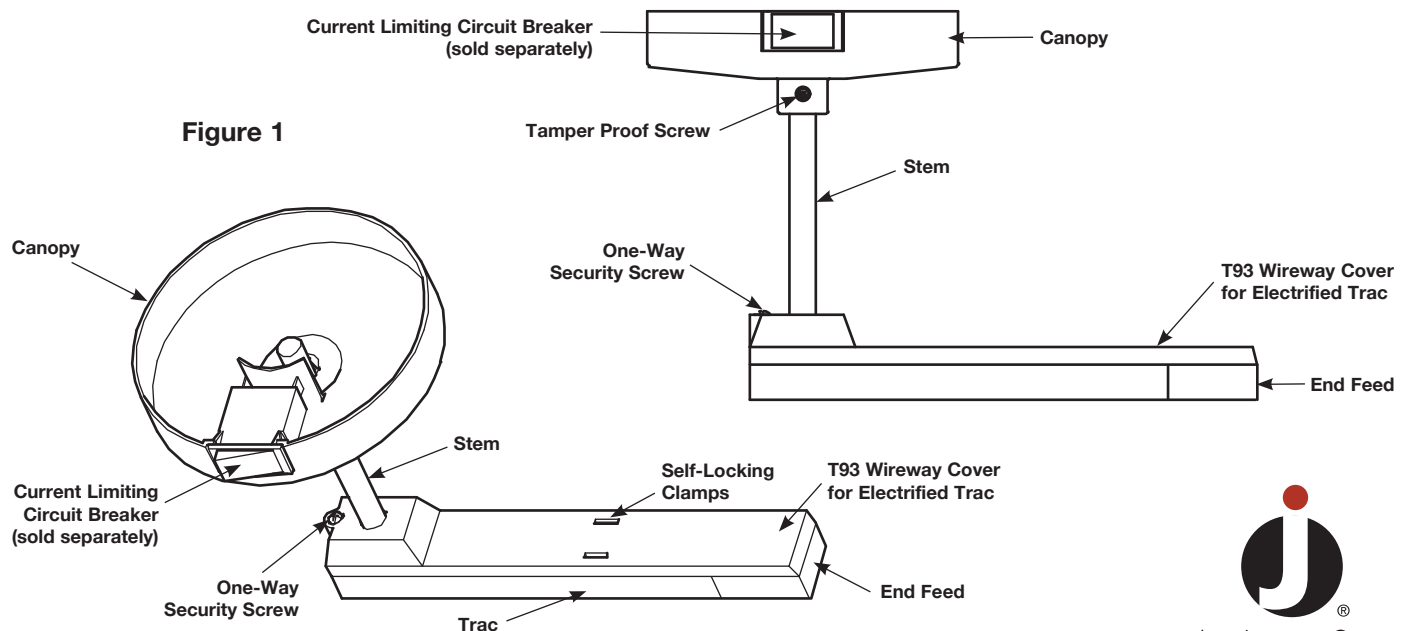
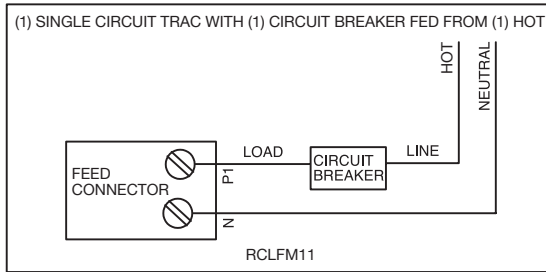
This fixture is intended for installation in accordance with the National Electrical Code and local regulations. To assure full compliance with local codes and regulations, check with your local electrical inspector before installation. To prevent electrical shock, turn off electricity at main circuit breaker panel before proceeding.

SAVE THESE INSTRUCTIONS

- Step 1.** Route the wires through STEM for connections with FEED CONNECTOR.
- Step 2.** Place CURRENT LIMITING CIRCUIT BREAKER in the slot provided on the CANOPY as shown in **Figure 1** below.
- Step 3.** Make electrical connections at CURRENT LIMITING CIRCUIT BREAKER as shown in circuit **Diagram 1**.
- Step 4.** Assemble Pendant Stem Kits as shown in **Figures 2 and 3** on page 2.
- Step 5.** Assemble bracket to trac per **Figure 4**.
- Step 6.** Hang trac onto stem by slipping bracket over the nut on the end of STEM. Tighten nut to secure the trac. Use caution to prevent damage to the electric wires.
- Step 7.** Make electrical connections at the FEED CONNECTOR as shown in **Diagram 1**.
- Step 8.** Use TAMPER PROOF SCREW to secure CANOPY on STEM. Use ONE-WAY SECURITY SCREW to secure WIREWAY COVER on TRAC. Refer to **Figure 1** below.

Note: Break SELF-LOCKING CLAMPS for installation with Trac-Lites trac ONLY.

Diagram 1
(End Feed)



Trac-Lites Single-Circuit Current Limiting End Feed Connector

T90CLF – T-BAR CURRENT LIMITING PENDANT STEM KIT

Figure 2

Position the MOUNTING PLATE on the T-Bar and rotate clockwise to secure T-BAR CLIP onto the bar.

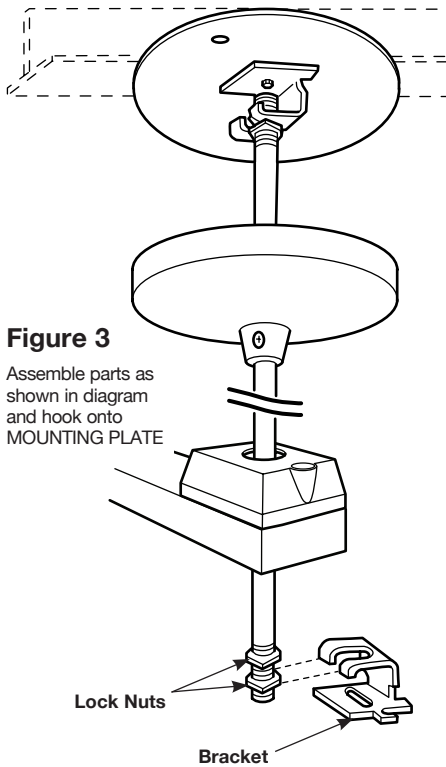
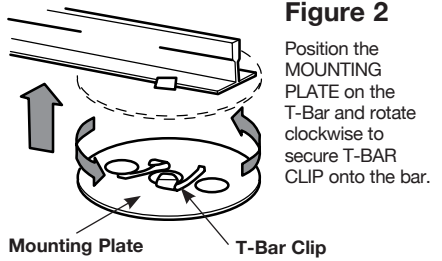


Figure 3

Assemble parts as shown in diagram and hook onto MOUNTING PLATE

T91CLF – RIGID CEILING CURRENT LIMITING PENDANT STEM KIT

Figure 2

Attach MOUNTING STRAP to JUNCTION BOX.

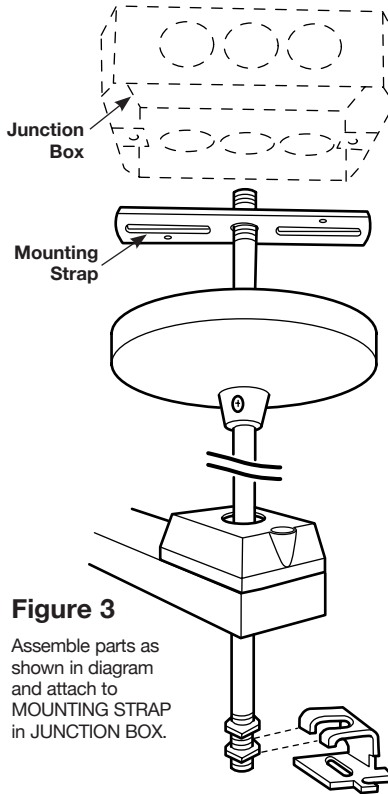
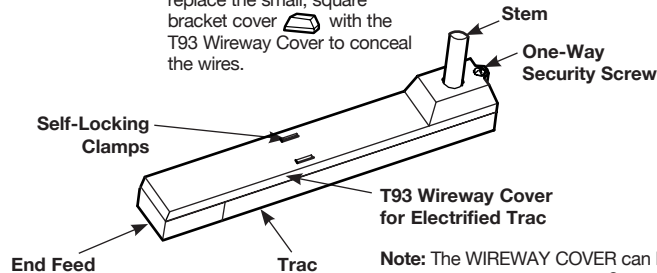


Figure 3

Assemble parts as shown in diagram and attach to MOUNTING STRAP in JUNCTION BOX.

T93 – WIREWAY COVER FOR ELECTRIFIED TRAC

When electrifying the Trac, replace the small, square bracket cover with the T93 Wireway Cover to conceal the wires.



Note: The WIREWAY COVER can be used with either Trac-Master® (Single Circuit) or Trac-Lites™ Trac sections.

TRAC-MASTER® TRAC

Figure 4

Slide the bracket down the wireway channel to desired position and lock in place

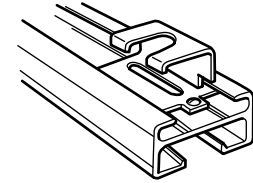
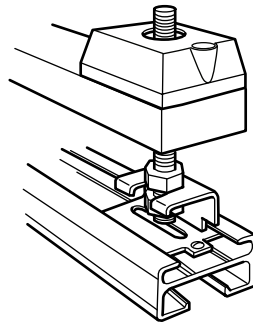


Figure 5

To hang Trac, slip bracket over the nut on bottom of stem



TRAC-LITES™ TRAC

Figure 4

Use square headed bolt and acorn nut to attach bracket to Trac utilizing existing holes or those drilled by installer

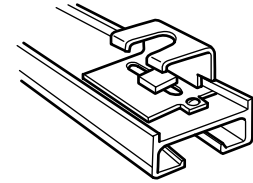


Figure 5

To hang Trac, slip bracket over the nut on bottom of stem

