

Installation Instructions For Juno TLR92 Pendant Mount Support Important Safety Instructions-Save these Instructions

Read all of these installation instructions before installing the trac system.

Do not install this trac in damp or wet locations.

Do not install any fixture assembly closer than 6" from any curtain or similar combustible material.

Disconnect electrical power before adding to or changing the configuration of the trac.

Do not attempt to energize anything other than lighting fixtures on the trac. To reduce the risk of fire or electrical shock, do not attempt to connect power tools, extension cords, appliances and the like to the trac.

This mounting kit is to be used with Juno TLR series trac systems only. Use only fixtures intended for use with Juno TL or TLR series trac.

Save these instructions and refer to them when additions to or changes in the trac configuration are made.

TLR92 Pendant Stem Mechanical Support Kit

Provides mechanical support to Trac12/25 with a stem. TLR92 is compatible with most standard 15/16" exposed tee ceiling suspension systems (using either flush or drop ceiling tiles) or a drywall ceiling.

NOTE: The total number of pendant suspension kits per section of trac must be as follows:

* 2' (TLR2), 4' (TLR4) and 6' (TLR6) require 2 pendant mounting kits per section of trac.

* 8' (TLR8) requires 3 pendant mounting kits per section of trac.

1. Based on Figure 1, select the TLR92 components that correspond to the current application (note: all parts in kit will not be used).

2. Determine where the mounting kit will be installed, and mark the mounting surface or t-bar.

3. Based on the application, choose 1 of the following:

Grid Mounting:

* Put the chosen screw through the hole in the T-bar grid clip (verify screw rotation is prevented by the forms in the T-bar grid clip). Snap the T-bar grid clip / screw assembly over the marks from step 2, and rotate until the grid clip locks into place. (see figure 2)

* If using the TLR92 with a drop ceiling tile, thread the #10-32 nut about halfway onto the installed T-bar grid clip / screw assembly (reference figure 1). Push the canopy over the screw until it stops on the #10-32 nut; adjust the height of the #10-32 nut until the canopy sits flush with the bottom of the ceiling tile.

* Push the canopy over the installed grid clip / screw assembly, and secure in place with the nylon nut.

(continued on page 2)

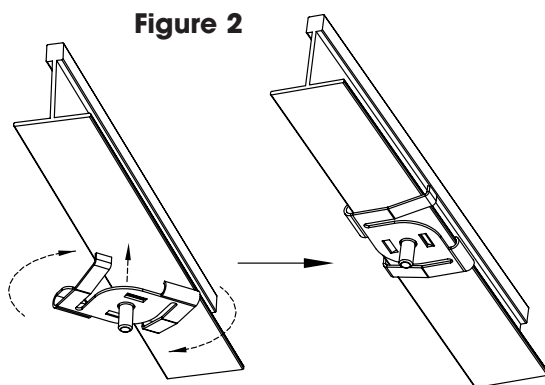


Figure 2

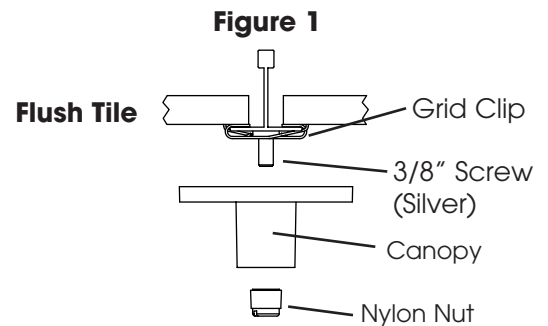
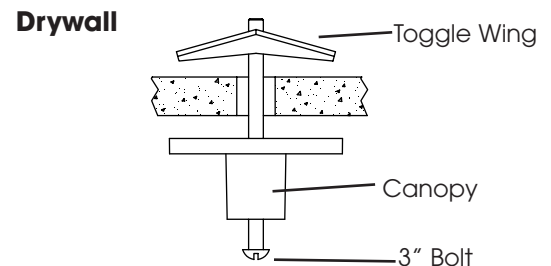
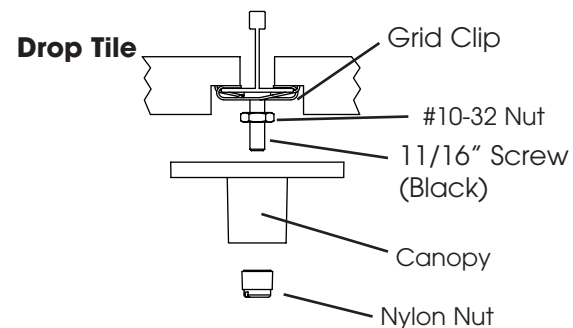


Figure 1



WARRANTY

Juno warrants that its products are free from defects in material and workmanship. Juno's obligation is expressly limited to repair or replacement, without charge, at Juno's factory after prior written return authorization has been granted. This warranty shall not apply to products which have been altered or repaired outside of Juno's factory. This warranty is in lieu of all other warranties, express or implied, and without limiting the generality of the foregoing phrase, excludes any implied warranty of merchantability. Also, there are no warranties which extend beyond the description of the product on the company's literature setting forth terms of sale.

Product Services phone (888) 387-2212

JUNO® Trac 12/25

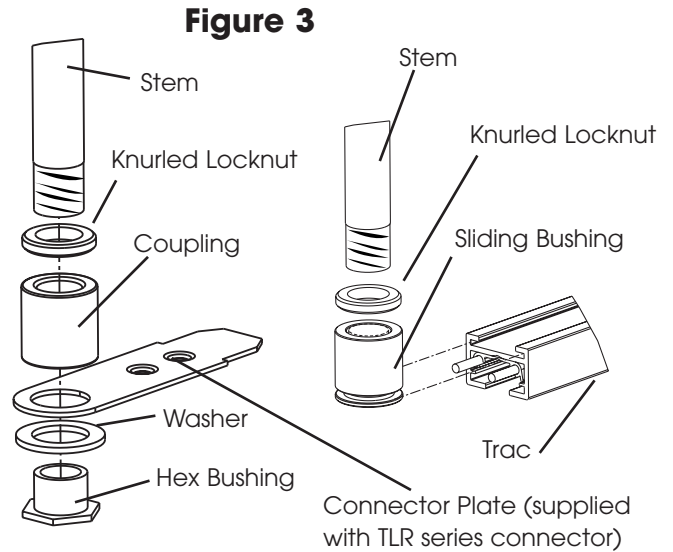
Drywall mounting:

- * Drill a 5/16" hole in the surface at the mark from step 2.
- * Insert the 3" bolt through the hole in the center of the canopy and start the toggle wing on the end of the 3" bolt (reference figure 1). While holding the toggle wing closed, insert the assembly through the 5/16" hole in the surface. Pull down slightly on the canopy while tightening the 3" bolt until the toggle wing is adequately securing the assembly.

4. Thread one end of the stem into the canopy and tighten securely.

5. Determine if the trac will be supported from a TLR series connector or from the TLR series trac extrusion. Select the corresponding components according to figure 3. The components that are not used can be discarded.

6. If fastening the TLR92 to a connector, make the mechanical connections as shown in figure 3. Follow the instructions included with the connector for additional mechanical & electrical installation requirements. If fastening the TLR92 to the trac extrusion, fasten the sliding bushing and knurled lock nut to the stem and slide to desired location on track (note: the small plastic grommet in the TLR series trac - used for flush mount applications - can be pushed out of the way by hand if it interferes with the sliding bushing).



TLR92 Configuration Diagram

