

JUNO**MONOLINE**

Avant Garde

19W VERTICAL CYLINDER LED**SP382MLL**

Project: _____

Fixture Type: _____

Location: _____

Contact/Phone: _____

PRODUCT DESCRIPTION

The classic, simple appearance of the Vertical Cylinder LED fixtures offers a fresh take on a traditional aesthetic. The subtle elegance is carried through the entire design producing an understated charm. The 19W Vertical Cylinder LED fixtures have integral TIR optics which enable uniform spot, narrow flood, flood or wide flood distributions to be achieved. These fixtures have an integral, bayonet-mounted accessory holder that accommodates one accessory if desired. The 19W Vertical Cylinder LED can deliver up to 1497 lumens, at efficacies up to 80LPW and having a rated life of 50,000 hours. Available in 2700K, 3000K, 3500K and 4000K color temperatures, the white-light 19W Vertical Cylinder LED may be specified in standard or high CRI versions, or in optional SpectraWhite color/white enhancing versions which offer CRI and Color Quality Scale (CQS) scores of 90+, rendering colors richly and making whites appear naturally brilliant.

**PRODUCT SPECIFICATIONS**

Construction All-metal housing and custom designed concealed heat sink provides outstanding thermal management, yielding 70% average lumen maintenance at 50,000 hours of operation • Passively-cooled design – no moving parts to break or wear-out • Extruded aluminum vertically mounted LED driver housing • Concealed fixture wiring for a clean aesthetic • Fashionable, elegant design complements any decor • Available in a rich Satin Nickel plated finish.

LED High performance LED array provides outstanding reliability, performance and color quality/consistency • 2700K, 3000K, 3500K or 4000K white phosphor high performance LEDs • Chromaticity range within a 3-step MacAdam Ellipse • 80 CRI minimum on standard product • Optional high versions offer 90 CRI minimum • Optional SpectralWhite versions are also available which make whites appear naturally brilliant and render colors more richly.

Driver Assembled in a side-mount vertical housing to minimize overall fixture footprint • Insulating air gap between driver and LED light engine optimizes thermal operation • Provides quiet operation with or without dimming • Dimmable using high quality reverse phase ELV dimmers approved by Juno - see [T381L-DIM](#) • Solid state electronic, Class 2 compliant • Integral overcurrent and short circuit protection • Class B FCC Part 15 rated.

Optics Interchangeable computer-designed custom TIR optics available in four factory-configured beam spreads • One TIR optic provided with fixture (as specified in catalog number) • Accessory optics available to enable beam changes in the field • Beam patterns can be altered as desired using a variety of available light control accessories.

Adapter Patented Power Grab™ fixture adapter requires no tools and has no loose parts • Allow fixture to hang on track prior to securing adapter, enabling simple and precise fixture positioning • Nickel plated contacts for reliable power connections and no arcing.

Accessory Holder Integral to fixture design • Die cast aluminum construction • Precision bayonet mounting • Accommodates one accessory if desired.

Aiming 360° horizontal coverage • Greater than 90° vertical aiming capability.

Labels UL and C-UL Listed.

Warranty Warranty period is 5 years from date of purchase • Standard Juno Lighting Group product guarantee terms and conditions apply.

Product specifications subject to change without notice.

ORDERING INFORMATION

Fixture Type	Color Temperature	Color Rendering Index	Beam Spread	Finish
SP382MLL 19W Vertical Cylinder LED	27 2700K 3 3000K 35 3500K 4 4000K	Blank 80 CRI Minimum HC 90 CRI Minimum V ¹ SpectralWhite	S Spot N Narrow Flood F Flood W Wide Flood	STN Satin Nickel

¹3000K & 3500K only

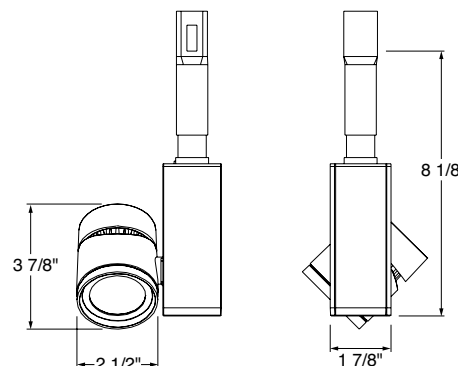
Ordering Examples: SP382MLL3NSTN, SP382MLL35VFSTN

ACCESSORIES

Cat. No.	Description	Cat. No.	Description
T7459BL	Hexcell Louver	T7477	Prismatic Spread Lens
T741-6	Color Filters	T7478	Linear Spread Lens
T7401-16	Dichroic Filters	TIR-1-SP	TIR Optic - Spot
T7418	Color Correction Filter ¹	TIR-1-NFL	TIR Optic - Narrow Flood
T7420	Diffusion Lens	TIR-1-FL	TIR Optic - Flood
T7421	Uniformity Lens	TIR-1-WFL	TIR Optic - Wide Flood

See specification sheet [D1.2.2](#) for details.

¹ T7418 corrects 3000K color to approximately 2700K and 4000K color to approximately 3400K.



MONOLINE®

Avant Garde

19W VERTICAL CYLINDER LED**SP382MLL****PERFORMANCE DATA¹:**

Catalog Number	Voltage	Input Watts (Typical)	Lumens	Efficacy (LPW)	Rated Life (Hours)
SP382MLL27S	120V	18.7	1293	69	50,000
SP382MLL27N	120V	18.7	1249	67	50,000
SP382MLL27F	120V	18.7	1289	69	50,000
SP382MLL27W	120V	18.7	1174	63	50,000
SP382MLL27HCS	120V	18.7	1130	60	50,000
SP382MLL27HCN	120V	18.7	1091	58	50,000
SP382MLL27HCF	120V	18.7	1126	60	50,000
SP382MLL27HCW	120V	18.7	1026	55	50,000
SP382MLL3S	120V	18.7	1361	73	50,000
SP382MLL3N	120V	18.7	1315	70	50,000
SP382MLL3F	120V	18.7	1357	73	50,000
SP382MLL3W	120V	18.7	1236	66	50,000
SP382MLL3HCS	120V	18.7	1184	63	50,000
SP382MLL3HCN	120V	18.7	1144	61	50,000
SP382MLL3HCF	120V	18.7	1181	63	50,000
SP382MLL3HCW	120V	18.7	1075	58	50,000
SP382MLL3VS	120V	18.7	1184	63	50,000
SP382MLL3VN	120V	18.7	1144	61	50,000
SP382MLL3VF	120V	18.7	1181	63	50,000
SP382MLL3VW	120V	18.7	1075	58	50,000
SP382MLL35S	120V	18.7	1429	76	50,000
SP382MLL35N	120V	18.7	1381	74	50,000
SP382MLL35F	120V	18.7	1425	76	50,000
SP382MLL35W	120V	18.7	1298	69	50,000
SP382MLL35HCS	120V	18.7	1225	66	50,000
SP382MLL35HCN	120V	18.7	1184	63	50,000
SP382MLL35HCF	120V	18.7	1221	65	50,000
SP382MLL35HCW	120V	18.7	1112	59	50,000
SP382MLL35VS	120V	18.7	1225	66	50,000
SP382MLL35VN	120V	18.7	1184	63	50,000
SP382MLL35VF	120V	18.7	1221	65	50,000
SP382MLL35VW	120V	18.7	1112	59	50,000
SP382MLL4S	120V	18.7	1497	80	50,000
SP382MLL4N	120V	18.7	1447	77	50,000
SP382MLL4F	120V	18.7	1493	80	50,000
SP382MLL4W	120V	18.7	1360	73	50,000
SP382MLL4HCS	120V	18.7	1252	67	50,000
SP382MLL4HCN	120V	18.7	1210	65	50,000
SP382MLL4HCF	120V	18.7	1248	67	50,000
SP382MLL4HCW	120V	18.7	1137	61	50,000

ELECTRICAL DATA

Input Voltage	120V
Input Current (max.)	0.17A
Power Factor	>0.90
T.H.D.	<20%

¹ Performance data, including Rated Life, is based on measurements of an individual fixture operating in a 25°C ambient.

MONOLINE®

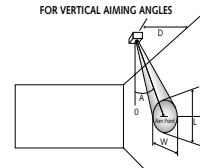
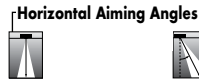
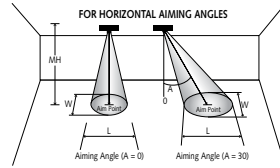
Avant Garde

19W VERTICAL CYLINDER LED

SP382MLL

CBCP • Centerbeam candlepower
FC • Footcandles at beam center (aim point)

In vertical aiming applications, aim point (X) is determined by dividing distance from the wall (D) by the tangent of the desired aim angle (A) (0.5774 for 30°, 1.0 for 45°, 1.732 for 60°).



Fixture	Beam Type	Beam Spread	Rated Life	CBCP	0°			30°			30°			45°			60°								
					MH	FC	L	W	FC	L	W	D	FC	X	L	W	FC	X	L	W	D	FC	X	L	W
Cylinder 19W LED, 3000K Spot	S	16°	50000	13116	8	205	2.2	2.2	133	3.0	2.6	3	182	5.2	3.6	1.7	515	3.0	1.7	1.2	6	237	3.5	2.3	1.9
					10	131	2.8	2.8	85	3.8	3.2	4	102	6.9	4.8	2.2	290	4.0	2.3	1.6	8	133	4.6	3.0	2.6
					12	91	3.4	3.4	59	4.5	3.9	5	66	8.7	6.0	2.8	185	5.0	2.9	2.0	10	85	5.8	3.8	3.2
					14	67	3.9	3.9	43	5.3	4.5	6	46	10.4	7.2	3.4	129	6.0	3.4	2.4	12	59	6.9	4.5	3.9
					16	51	4.5	4.5	33	6.0	5.2	7	33	12.1	8.4	3.9	95	7.0	4.0	2.8	14	43	8.1	5.3	4.5
Cylinder 19W LED, 3000K Narrow Flood	N	26°	50000	5478	5	219	2.3	2.3	142	3.1	2.7	2	171	3.5	4.4	1.8	484	2.0	2.0	1.3	4	222	2.3	2.5	2.1
					6	152	2.8	2.8	99	3.8	3.2	3	76	5.2	6.6	2.8	215	3.0	2.9	2.0	6	99	3.5	3.8	3.2
					7	112	3.2	3.2	73	4.4	3.7	4	43	6.9	8.8	3.7	121	4.0	3.9	2.6	8	56	4.6	5.0	4.3
					8	86	3.7	3.7	56	5.0	4.3	5	27	8.7	11.0	4.6	77	5.0	4.9	3.3	10	36	5.8	6.3	5.3
					9	68	4.2	4.2	44	5.6	4.8	6	19	10.4	13.2	5.5	54	6.0	5.9	3.9	12	25	6.9	7.5	6.4
Cylinder 19W LED, 3000K Flood	F	39°	50000	2940	4	184	2.8	2.8	119	3.9	3.3	1.5	163	2.6	6.8	2.1	462	1.5	2.4	1.5	3	212	1.7	3.0	2.5
					5	118	3.5	3.5	76	4.9	4.1	2.0	92	3.5	9.1	2.8	260	2.0	3.2	2.0	4	119	2.3	3.9	3.3
					6	82	4.2	4.2	53	5.9	4.9	2.5	59	4.3	11.4	3.5	166	2.5	4.0	2.5	5	76	2.9	4.9	4.1
					7	60	5.0	5.0	39	6.9	5.7	3.0	41	5.2	13.6	4.2	115	3.0	4.9	3.0	6	53	3.5	5.9	4.9
					8	46	5.7	5.7	30	7.9	6.5	3.5	30	6.1	15.9	5.0	85	3.5	5.7	3.5	7	39	4.0	6.9	5.7
Cylinder 19W LED, 3000K Wide Flood	W	53°	50000	1397	2	349	2.0	2.0	227	2.9	2.3	1.0	175	1.7	15.0	2.0	494	1.0	2.6	1.4	2	227	1.2	2.9	2.3
					3	155	3.0	3.0	101	4.3	3.4	1.5	78	2.6	22.5	3.0	220	1.5	3.9	2.1	3	101	1.7	4.3	3.4
					4	87	4.0	4.0	57	5.8	4.6	2.0	44	3.5	**	4.0	123	2.0	5.3	2.8	4	57	2.3	5.8	4.6
					5	56	5.0	5.0	36	7.2	5.7	2.5	28	4.3	**	5.0	79	2.5	6.6	3.5	5	36	2.9	7.2	5.7
					6	39	5.9	5.9	25	8.6	6.9	3.0	19	5.2	**	5.9	55	3.0	7.9	4.2	6	25	3.5	8.6	6.9

For 2700K fixtures, use 0.95 multiplier; for 2700HC fixtures, use 0.83 multiplier; for 3000HC fixtures, use 0.87 multiplier; for 3000V fixtures, use 0.87 multiplier; for 3500K fixtures, use 1.05 multiplier; for 3500HC fixtures, use 0.90 multiplier; for 3500V fixtures, use 0.90 multiplier; for 4000K fixtures, use 1.10 multiplier; for 4000HC fixtures, use 0.92 multiplier.